



April 24, 2019

Julia Morita, M.D.
Department of Public Health
Pollution Prevention Unit
333 South State Street, Room 200
Chicago, Illinois, 60604

Via email

**Re: Variance Request for Watco Terminal and Port Services, Chicago Ferro Terminal
City of Chicago Rules, Control of Emissions from Handling and Storing Bulk Materials**

Dear Commissioner Morita:

The Watco Terminal and Port Services (WTPS) Chicago Ferro Terminal has received the City of Chicago Department of Public Health's (CDPH) Rules, Control of Emissions from Handling and Storing Bulk Materials, Effective January 25, 2019 (Rules). In accordance with Section 10.0 of the Rules, WTPS is respectfully submitting the following variance request related to operations at the Chicago Ferro Terminal (Terminal). WTPS is seeking a variance from the requirements of Part D of the Rules for those materials handled at the Terminal which contain a concentration of less than 2% manganese. The Terminal is in the process of eliminating the presence of manganese-bearing materials containing manganese at concentrations greater than 2% and will not handle such materials in the future. The remaining bulk materials handled at the facility are either packaged materials or do not contain manganese.

Background

In February 2019, the Terminal committed to stop receiving manganese-bearing bulk material containing manganese at concentrations greater than 2% and to phase out all handling of said material in an expedited manner. At the time of this request, the remaining greater than 2% manganese-bearing bulk material is being transferred to an enclosed structure at the Terminal, called "Building F," which meets the requirements of Part D of the Rules for storage and loadout. For this material, the Terminal expects to be in compliance with Part D of the Rules during the phase out period because the transfer of material to Building F will be completed by April 24, 2019 and the transfer of this material from Building F to off-site locations will be done in compliance with the Rules (e.g., the loading of materials into trucks will be completed indoors and trucks will be covered before leaving the facility, etc.). Once the phase out of this material is complete, the Terminal will continue to handle bulk materials that contain less than 2% manganese. This variance request from the Part D Rules requirements pertains to materials that contain less than 2% manganese.

In addition, the Terminal will no longer operate the crushing and screening operation historically located on the north side of the Terminal. As described above, the bulk materials that were previously crushed and screened are being phased out and there is no longer a need to operate this processing area.

The Terminal is currently in compliance with the Manganese Limit (ML) as defined in Part A, Section 2.0(16) of the Rules. WTPS will continue to use all best management practices (BMPs) that have been implemented at the terminal to date in order to maintain compliance with the ML. Further discussion of the Terminal's BMPs is provided below in the section titled "Demonstration of Impact."

For ease of review by the CDPH, the following sections of this variance request address each of the variance requirements set forth in Section 10.0 of the Rules in the same order that they appear in that section. References to the specific variance requirements by subsection of Section 10 are provided in each of the headings below.

Variance Request (10.2.a.)

A variance is requested from Part D of the Rules for the Terminal's handling of bulk materials containing less than a 2% concentration of manganese. Because the Rules' definition of Manganese-Bearing Bulk Material (MBM) considers all materials with any trace of manganese to be MBM, these less than 2% manganese-bearing materials are regulated as MBM. A list of the bulk materials that will continue to be handled at the Terminal is provided in Attachment A. All other operations at the facility will be modified in accordance with the Rules and implemented as required under Part F, Section 8.

Description of Process (10.2.b.)

The WTPS Chicago Ferro Terminal is located at 2926 East 126th Street, Chicago, Illinois 60633. A map of the facility showing the location of the barge unloading area and pertinent structures is provided in Attachment B. The Terminal is surrounded predominantly by industrial properties with the Calumet River to the northeast. The nearest residential area is located approximately 300 feet south of the Terminal's southern property line, and approximately 0.3 miles from the barge loading area. This residential area is known as the Avalon Trails neighborhood which is part of the Hegewisch development. This residential area is separated from the Terminal by East 126th Street and a wall estimated at 15 feet in height, which surrounds the northern side of the neighborhood. The total Hegewisch population is estimated at approximately 9,000 residents based on the 2015 census. A total of 6 neighborhoods encompass Hegewisch, therefore the population of Avalon Trails is estimated at 1/6th the total population of Hegewisch, or 1,500 residents.

The Terminal predominantly engages in transfer and transport operations. The facility has a dock area used for unloading, and on rare occasions loading, barges. A majority of the materials handled at the Facility arrive by barge. A relatively small quantity of material arrives or departs by train. Trucks and front-end loaders at the site are used for internal transfers, and covered

trucks play a significant role in the delivery of materials to and from the site. Each of these activities are subject to Best Management Practices (BMPs) that minimize the potential for fugitive dust emissions and are discussed in more detail below.

Barge Unloading

To unload barges, the Terminal utilizes an excavator to pick up material out of a barge and transfer it into trucks. Dust that may be generated during barge unloading is controlled using a truck-mounted, Dust Solutions, Inc. Dry Fog Dust Suppression system (Dry Fog System). During the barge unloading process, the Dry Fog System is positioned next to a truck that is ready to be loaded. The Dry Fog System dispenses fog into the truck bed prior to and during material loading activities. The Dry Fog System uses an agglomeration technique and can provide up to 99% dust suppression efficiency. Photographs of the Dry Fog System are provided in Attachment C. Technical specifications of the Dry Fog System are provided in Attachment D.

Storage

Trucks are loaded with bulk materials from barges at the dock and transport the material either offsite or into storage within the Terminal. The Terminal utilizes both indoor and outdoor storage. The Terminal is currently in the process of removing all greater than 2% MBM which will then free up additional indoor storage capacity for the less than 2% MBM. At present, materials stored outside consist of approximately 85% pig iron and approximately 15% iron ore slag. The small amount of iron ore slag (6,000 to 7,000 tons) stored outside has been constant for several years and is not a material typically handled by the Terminal. Pig iron will continue to represent the bulk of the material stored outside. However, as indoor storage capacity allows, the intent is to store more pig iron indoors than has been the case before, thus further reducing the potential for MBM dust emissions.

Indoor Storage

The majority of bulk solids materials at the Terminal are kept indoors, segregated within storage bins. This indoor storage is critical to the Terminal's commercial viability. Problems arise that impair the use of these materials if they become wet. Among other problems, wetted steel alloys could create adverse or unintended reactions when used. Wetted materials also have inconsistent weights, and this creates significant problems for WTPS from a billing and accounting standpoint. For these reasons, in addition to preventing dust emissions, the Terminal has over 351,600 square feet of indoor storage capacity, spread across eleven buildings.

Buildings 100, 200, 300, 400, as well as Buildings C, D, F, G, H, and I will be used to store both packaged materials, which are not subject to the Rules, and bulk materials, including MBMs with less than a 2% manganese concentration. Bulk materials will be stored primarily in Building F, which will be used to the greatest extent possible. Building F has an indoor storage capacity of approximately 160,000 square feet. Building F is fully enclosed and is used for storage of materials as well as loading outbound trucks. Building F contains a 60,000 CFM dust collector equipped with two hoods used to control dust during loading activities. The hoods are connected

to a Camfil Farr Model GS72 baghouse. This is a permitted baghouse. Monitoring and maintenance of all permitted bag houses is performed as required under the Fugitive Dust Plan for the Terminal pursuant to the Rules. Records of monitoring and maintenance activities are maintained on location in accordance with this Fugitive Dust Plan.

Additionally, Building F is equipped with two automated high-speed doors which remain closed during material handling and truck loading. The two high-speed doors are equipped with sensors that are set to close the doors 6 seconds after a vehicle enters or exits the building. The 6 second door closure timing is reduction of the time that the high-speed door had previously remained open after truck loading. It is another enhancement to Terminal operations to reduce the potential for dust emissions from the indoor loading of trucks. The entrance and exit doors are never opened at the same time in order to prevent a cross wind from passing through the building and potentially transporting dust. This practice also minimizes the potential for fugitive dust to leave the building. All trucks that are loaded in Building F are required to tarp their bed prior to opening the outbound high-speed door. In December of 2018, WTPS sent a memo clarifying the tarping requirements to all third party trucking companies that transport material to or from the Terminal. A copy of this memo is included as Attachment E.

During an inspection by the CDPH on February 15, 2019 some small holes and gaps in the walls of building F were noted. WTPS has meticulously reviewed the entire building and filled in the holes and gaps identified during the inspection to ensure that the building meets the enclosure requirements of the Rules.

Buildings E and H will continue to be used for packaging of bulk products. Building E is equipped with a Camfil Farr Model GS24 baghouse which is rated at 18,000 CFM. Building H is equipped with an Amtech Model ATY-24 which is rated at 18,000 CFM. Both baghouses control dust emissions generated when material is placed into the bagging systems. These baghouses are permitted air pollution control devices.

Outdoor Storage

Because most of the materials handled by WTPS are moisture sensitive, it has significantly less outdoor than indoor storage space: 111,000 square feet (capable of holding about 161,731 tons), which is less than a third of the Terminal's indoor storage capacity. As stated above, pig iron and a small amount of iron ore fines are currently the only manganese-bearing materials stored outdoors. The pig iron has natural densities that minimize its potential to become airborne during outdoor storage. In addition, it is kept in three-sided, walled bins which help minimize wind exposure. In these bins, the typical material height is well below the Rules' 30-foot height restriction and generally only about 3-4 feet above the height of the bin's walls (the walls are necessary to contain and segregate the products), thus further minimizing the volume of material exposed to wind. The bulk piles will be controlled in accordance with Part E of the Rules by using the existing water truck to wet pig iron during storage and prior to loading. As part of this variance request, if approved by the CDPH, WTPS would commit to seeking approval from CDPH prior to accepting other products for outdoor storage that have less than 2% MBM.

Roadway Dust Control

Currently the Terminal actively controls traffic related dust emission year-round via sweeping, water application, and chemical applications. The Terminal utilizes a Tennant Company, Sentinel Outdoor Ride-On Sweeper to wet roads and remove dust from inter-terminal paved areas. This sweeper is owned by WTPS and is dedicated for the sole use of the Terminal. The sweeper is equipped with water spray capability and a direct throw conveyor system which containerizes all recovered dust and debris. The unit is also equipped with a hydraulic twin vacuum dust control system to control dust emissions while in use. Technical specifications of the sweeper are provided in Attachment F. This piece of equipment is used to sweep and wet the paved surfaces within the Terminal every 4 hours of operation or once per every 100 third party trucks that enter the Terminal. A separate water truck is also used to wet roads as necessary to ensure compliance with the requirements of the Rules and weather permitting. The effectiveness of the water sweeper and spray control measures are continually evaluated. A log of the sweeping and water truck operation is documented and kept with records maintained on site.

In November 2018, the Terminal commenced an additional enhancement of its dust control practices. The application of Calcium Chloride dust suppressant was implemented on major road ways where Semi truck traffic is directed.

Quantity and Types of Materials (10.2.c.)

As previously stated, WTPS has committed to stop receiving and handling MBM with greater than 2% manganese. In addition, the Terminal will no longer operate the crushing and screening equipment. It is estimated that the Terminal will handle approximately 600,000 to 450,000 net tons of steel, alloy, and associated materials annually following the phase out of manganese bearing material >2%. A full list of the quantity and types of materials handled at the Terminal is provided in Attachment A. Included in Attachment A is the Composition section from the associated Safety Data Sheets (SDS). Under the Occupational Safety and Health Administration's Hazard Communication Standard the manufacturer is required to include within the SDS the ingredients contained within the product. This list must include the chemical name and concentration of all ingredients which are classified as health hazards. Accordingly, for products listed in Attachment A that do not show any manganese content, these products should either not contain any manganese or, if any manganese is present, it would be in trace amounts that do not present any health hazards.

Demonstration of Impact (10.2.d.)

The Terminal has put in place several practices to mitigate dust emissions throughout the property to ensure that the facility does not create a public nuisance or adversely impact the surrounding area, surrounding environment, or surrounding property uses. The implementation of these practices responded to U.S. Environmental Protection Agency (EPA) concerns and the implementation of the Rules' mandated Fugitive Dust Control Plan. The dust control measures employed at the Terminal include:

- The use of the Dry Fog System during barge unloading;
- Conducting outbound loading of trucks inside of Building F which is equipped with the dust collection system and bag house;
- The use of two high-speed doors on Building F to maintain full enclosure during truck loading activities;
- Tarping trucks that are loaded out with material before they leave Building F and before exiting the Terminal;
- The use of dust collectors and baghouses for packaging and bagging operations in Buildings E and H;
- Wetting of outdoor bulk material storage;
- Wetting of internal roadways;
- Application of chemical suppressant on roadways throughout the year; and
- The use of a street sweeper to remove any dust from internal road surfaces.

Federal Reference Monitor Sampling

On September 17, 2018, the Terminal began collecting air samples from a Federal Reference Monitor (FRM) which generates a 24-hour composite air sample every three days. At the end of each month, all samples are removed from the FRM and submitted for laboratory analysis of Arsenic, Cadmium, Chromium, Lead, Manganese, Nickel, and Vanadium using EPA IO Compendium Method IO-3.5.

The laboratory results of samples collected from the FRM monitor have varied over time, but overall demonstrate a downward trend for the three-month rolling average manganese concentration (Attachment B). The specific cause(s) of manganese concentrations detected in these samples have not been determined and it is uncertain whether elevated manganese levels are caused by current Terminal operations. There appears to be background ambient manganese levels based on several manganese detections reported on days when the Terminal was not in operation or during wind directions which are not consistent with Terminal activities causing those detections. There have been seven instances between September of 2018 and March of 2019 where manganese has been detected in samples that were collected during a period of time when the Terminal was not operating. Two of these instances, on September 23rd and September 29th, of 2018, exceeded the 0.300 $\mu\text{g}/\text{m}^3$ level.

Cadmium, Chromium, Nickel, and Vanadium have not been detected in any of the air samples that have been collected and analyzed. Arsenic has been detected once at a trace concentration of 0.00345 micrograms per cubic meter ($\mu\text{g}/\text{m}^3$). All other samples were non-detect for arsenic. Lead has been detected sporadically at trace concentrations typically ranging between 0.002 and 0.010 $\mu\text{g}/\text{m}^3$. The highest detection of lead recorded at the Terminal was 0.0641 $\mu\text{g}/\text{m}^3$ from a sample collected on September 23, 2018. This is a day that the Terminal was not operating, further suggesting that offsite sources are impacting analytical results from samples collected at

the FRM. All detections of lead in air samples at the Terminal have been well below the EPA National Ambient Air Quality Standard (NAAQS) of $0.150 \mu\text{g}/\text{m}^3$.

WTPS will continue to utilize the FRM as required by the EPA and the Rules. WTPS is currently in compliance with the ML of $0.3 \mu\text{g}/\text{m}^3$ based on the three-month rolling average. The Terminal was able to achieve this level while still handling MBM with concentrations greater than 2%. Given that the Terminal will continue to utilize the existing BMPs as described above, will stop handling greater than 2% concentration MBM, and will increase the indoor storage of less than 2% concentration MBM, WTPS reasonably expects that the Terminal will be able to maintain compliance with the ML and that its future operations will not adversely impact the surrounding areas, environment, nor property uses.

Statement of Hardship (10.2.e.i. & iii.)

Compliance with Part D of the Rules for bulk materials with manganese concentrations of less than 2% imposes an arbitrary and unreasonable hardship because the Terminal has already demonstrated compliance with the ML utilizing the existing, enhanced dust control measures. The FRM has been collecting air samples since September of 2018. The rolling average manganese concentration from September 2018 through March of 2019 demonstrates a downward trend. The Terminal is currently in compliance with the ML based on the three-month rolling average promulgated in the Rules (Attachment G). There have been detections of manganese in samples derived from the FRM, however those detections have not been shown to be associated with any particular activity at the Terminal, and may be caused by off-site impacts. Sample results for the month of March showed variable concentrations of manganese with five samples exceeding the $0.3 \mu\text{g}/\text{m}^3$ level, which may be the result of off-site impacts, or associated with bulk materials transfer activities necessary to phase out the handling of manganese bearing material with concentrations greater than 2%.

The Rules arbitrarily impose a total enclosure requirement for all MBM regardless of its manganese content or its propensity to generate fugitive dust emissions. No comparative analysis was performed to demonstrate either that the enclosure option is capable of reducing manganese emissions to acceptable levels or that it is the only option capable of doing so. Fully enclosing the Terminal operation would require a very large capital investment estimated at many millions of dollars. The proposed alternative is to eliminate the handling of MBM greater than 2% and to continue to control dust emissions for the bulk materials containing less than 2% concentration of manganese listed in Attachment A during barge unloading, storage, and loadout by utilizing the control measures previously outlined under the Demonstration of Impact section of this Variance Request. This is an adequate and preferable approach to compliance with the ML because it does not require unnecessary additional capital investment and can maintain compliance with the ML, especially considering the Terminal's phase out of the MBM greater than 2%.

Given the overbroad and arbitrary nature of the Rules' Part D enclosure requirements, the Terminal dust control improvements already implemented, and the limited nature of the remaining less than 2% manganese-bearing materials handled at the Terminal, it should be given

the opportunity to demonstrate that the proposed alternative will adequately control manganese emissions. Ambient monitoring data collected at the Terminal supports that decision. The Terminal has been monitoring Particulate Matter less than 10 microns (PM₁₀) since March of 2018. The Reportable Action Level (RAL) for PM₁₀ is defined in the Rules as a difference of greater than 150 µg/m³ averaged over a 24 hour calendar day between any two upwind and downwind PM₁₀ monitors. At no time has the Terminal exceeded the PM₁₀ RAL.

Enclosing the barge unloading operation is not feasible. The Terminal is being asked to make another significant capital investment to enclose the barge unloading operation and outdoor storage of MBM less than 2% without any evidence which shows that only enclosure of manganese-bearing materials activities will adequately control fugitive dust emissions. WTPS has not been able to identify another bulk ferro terminal that has implemented a fully enclosed barge unloading operation. Logistically, it would be extremely difficult (assuming it is possible) to implement an enclosed barge unloading system as the materials are too large in size to utilize a pneumatic transport, enclosed conveyor, or other similar system. The Terminal has already made significant capital investments to comply with EPA and CDPH requirements. The improvements made are sufficient to protect the surrounding area, environment, and property uses, especially when taking into consideration that greater than 2% MBM materials are being phased out and are no longer accepted by the Terminal and the termination of the crushing and screening operation.

Description of Proposed Methods for Compliance (10.2.f.)

The Terminal will utilize the dust controls and BMPs previously described under Demonstration of Impact. Going forward, once the above 2% manganese-bearing materials are removed from the Terminal, the Terminal also will be able to maximize the indoor storage of MBM with concentrations less than 2% such that outdoor storage will be less than it is today. Compliance will continue to be monitored using data generated from the analysis of samples collected from the FRM as well as the PM₁₀ monitors.

Alternative Methods of Compliance (10.2.g.)

As previously stated, there are two main components for maintaining compliance with the Rules. The first is the in-process phase out of manganese bearing material with concentrations greater than 2% and termination of the crushing and screening operation. The second component is the Terminal's continued utilization of dust control and BMP measures described in the Demonstration of Impact section of this variance request to minimize fugitive dust emissions for the reduced amount of less than 2% MBM that will be stored outside. Considering that the bulk of the less than 2% MBM stored outside will be pig iron that does not have a high propensity to generate dust emissions, these control measures will be more than sufficient to prevent unacceptable levels of emissions. WTPS will continue to collect and analyze samples from the FRM monitor to demonstrate compliance with the ML.

Current Status (10.2.h)

WTPS believes that it has provided the requested statement concerning its current status of compliance related to the subject matter of this variance request. The above information provides the CDPH with a complete description of WTPS' current status regarding the requirements of the City's Rules from which it is seeking a variance.

Fugitive Dust Monitoring Reports (10.2.i)

Fugitive dust monitoring reports for the previous four months are included as Attachment G. If the requested variance is granted by the CDPH, the Terminal will provide monthly fugitive dust monitoring reports to the CDPH but requests that the CDPH grant it a variance from the Rules to allow the submission of these monthly results by the 28th day of the month following the monitoring period. Providing the reports by the 14th day following the reporting period, as stated in the Rules, is impractical as the laboratory typically requires 14 days to produce the data. Upon receipt of the monitoring results from the laboratory, additional time is required on the part of WTPS's consultant to conduct a quality assurance review of the data and to produce the final report for submission to the CDPH.

Conclusion

WTPS respectfully requests a variance for Part D as it relates to operations at the Terminal for handling bulk materials with less than 2% manganese. The Terminal has made significant additional efforts and capital investments to satisfy the requirements of both the EPA and the CDPH in the past year. Given the Terminal's decision to phase out handling of manganese materials with concentrations greater than 2% and that the investments and improvements to BMPs have been demonstrated to be effective controls for dust emissions at the Terminal, the capital cost required to fully enclose all operations is an arbitrary and unreasonable hardship to impose on WTPS. WTPS believes that the changes in the bulk materials to be handled and processed at the Terminal along with its continued use of the dust control systems and BMPs at the Terminal is sufficient to maintain compliance with the ML.

WTPS greatly appreciates the opportunity to provide this variance request to the CDPH. Please contact me should you require any additional information necessary to complete your review of this request.

Sincerely,



Steven Caudle
Terminal Manager
Watco Terminal and Port Services, LLC.

cc: David Graham, Assistant Commissioner, CDPH
Jennifer Hesse, Esq., CDPH;
Susan Sadloski Garza, 10th Ward Alderwoman

Attachments

Attachment A – List of Products Handled

Attachment B – Site Map

Attachment C - Photographs of DSI Dry Fog Dust Suppression System

Attachment D – Using Agglomerative Dust Suppression And Wind Breaks For Fugitive Dust Suppression

Attachment E – Tarping Memo

Attachment F – Sweeper Specifications

Attachment G – Rolling Average Manganese Concentrations

Attachment H – Fugitive Dust Monitoring Reports

ATTACHMENT A
LIST OF PRODUCTS HANDLED

Alumina Sized Aggregate

Section 3 – Composition/Information on Ingredients

Chemical Identity of Substance:

Ingredient Name	CAS Number	% Weight (Range)
Calcium Aluminate*; (polyphasic; various mineralogical phases)	65997-16-2	10-90
Aluminum Oxide, Alumina (non-fibrous)	1344-28-1	30-80
Magnesium Oxide	1309-48-4	10-60
Calcium Oxide; (NOTE: CaO does not exist in product as “free oxide”/ “free Lime”)	1305-78-8	10-30
Zirconium Oxide, (Zirconia)	1314-23-4	0-15
Silica, Fused	60676-86-0	0-10
Carbon	7440-44-0	0-10
Iron Oxides	1345-25-1 1309-37-1 1309-38-2	0-5
Titanium Dioxide	13463-67-7	0-5
Silica, Crystalline, (as Quartz)	14808-60-7	0-1

Alumina, ALU

Section 3 – Composition/Information on Ingredients

Chemical Identity of Substance:

Ingredient Name	CAS Number	% Weight (Range)
Aluminum Oxide, Alumina (non-fibrous)	1344-28-1	45-90%
Silica, Fused	60676-86-0	0-35%
Calcium Oxide; (NOTE: CaO does not exist in product as “free oxide”/ “free Lime”)	1305-78-8	0-20%
Magnesium Oxide	1309-48-4	0-20%
Iron Oxides	1345-25-1 1309-37-1 1309-38-2	0-5%
Sodium Oxide	1310-73-2	0-5%
Titanium Dioxide	13463-67-7	0-4%
Carbon	7440-44-0	0-3%
Silica, Crystalline, (as Quartz)	14808-60-7	0-1%

Calcium Aluminate

Section 3 – Composition/Information on Ingredients

Chemical Identity of Substance:

Ingredient Name	CAS Number	% Weight (Range)
Calcium Aluminate*; (polyphasic; various mineralogical phases)	65997-16-2	60 - 90
Aluminum Oxide (non-fibrous)	1344-28-1	45 – 80
Calcium Oxide (does not exist as free Lime)	1305-78-8	5 - 35
Magnesium Oxide	1309-48-4	0 - 20
Silica, Fused	60676-86-0	0 - 10
Iron Oxides	1345-25-1 1309-37-1	0 - 4
Vanadium Trioxide, (as V2O3)	1314-34-7	0 - 4
Titanium Dioxide	13463-67-7	0 - 4
Carbon	7440-44-0	0 - 3
Silica, Crystalline, (as Quartz)	14808-60-7	0 - 1

Pig Iron

Section 3 – Composition/Information on Ingredients

3(a-c) Chemical name, common name (synonyms), CAS number and other identifiers, and concentration:

Chemical Name	CAS Number	EC Number	% weight
Iron	7439-89-6	231-096-4	93-94
Carbon	7440-44-0	231-153-3	3.5-5
Manganese	7439-96-5	231-105-1	.01-1.0
Silicon	7440-21-3	231-130-8	.01-4.0

Dead Burned Magnesite

Section 3 - COMPOSITION / INFORMATION ON INGREDIENTS

CAS	Component Name	Percent
1309-48-4	DEADBURNED MAGNESITE	100.0

Ferro-Phosphorus

Section 3. Composition/information on ingredients

3.1 Composition of the substance

Name	CAS No	EC No	REACH registration N°	weight	Classification (Directive 67/548/EEC)	Classification (Regulation (EC) No 1272/2008)
Iron	7439-89-6	231-096-4	01-2119462838-24-XXXX	70-80%	Not classified	Not classified
Phosphorus	7723-14-0	231-768-7	05-2114485432-47-XXXX	20-30%	Not classified	Not classified
Manganese	7439-96-5	231-105-1	01-2119449803-34-XXXX	=<2%	Not classified	Not classified
Silicon	7440-21-3	231-130-8	01-2119480401-47-XXXX	=<2%	Not classified	Not classified

Ferro Silicon

3. Composition/Information on Ingredients

CAS #	Hazardous Components (Chemical Name)	Concentration
7439-89-6	Iron	30.0 -90.0 %
7440-21-3	Silicon	<70.0 %
7429-90-5	Aluminum	< 2.5 %
7440-44-0	Carbon	< 0.2 %
7440-47-3	Chromium	< 0.5 %

Ferrochromium

3. Composition/information on ingredients

Mixture

Hazardous components Chemical name	Common name and synonyms	CAS number	%
Chromium		7440-47-3	30-70
Iron		7439-89-6	30-50
Carbon		7440-44-0	≤10

Fused Magnesite

Section 2: Composition/Ingredients

INGREDIENT	CAS#	Percent
Fused Magnesite	1309-48-4	97 min.

High Carbon Ferrochromium

3. Composition/information on ingredients

Mixture

Hazardous components Chemical name	Common name and synonyms	CAS number	%
Chromium		7440-47-3	30-70
Iron		7439-89-6	30-50
Carbon		7440-44-0	≤10

Low Carbon Ferrochromium

3.2 Ingredients

(name, CAS No., EC No. (if available), weight percent (must be 100% in total), MPCwz or SRLlwz, classes of hazard, references for data sources)

Ingredients [1]	Weight percent, % [1]	MPCwz, mg/m ³ [1, 2]	Class of hazard [1, 2]	CAS No. [5]	EC No. [5]
Ferrochromium, including:	100	6/2	3	11114-46-8	No
- chromium	45-95	Not determined	No	7440-47-3	231-157-5
- iron	Rest*	-/10	4	7439-89-6	231-096-4
Note: Depending from the grade, ferrochromium contains the controlled impurities: 0.8-12.0% silicon, 0.01-9.0% carbon, 0.02-0.08% sulphur, 0.02-0.05% phosphorus, 0.2% aluminum [1].					

Olivine, Various Grades

SECTION 3: COMPOSITION/INFORMATION ON INGREDIENTS
--

CAS#	Component	Percentage
1317-71-1	Olivine	>99.3%
7440-47-3	Chromium Compounds*	0.2-1.0%
7440-02-0	Nickel Compounds*	0.2-0.4%

Sintered Clinker

Section 2 - Composition/Information on Ingredients

Ingredient Name: CALCIUM OXIDE; (CAO)

Ingredient CAS Number: 1305-78-8 **Ingredient CAS Code:** M

Ingredient Name: DICALCIUM SILICATE; (2CAO,SIO*2)

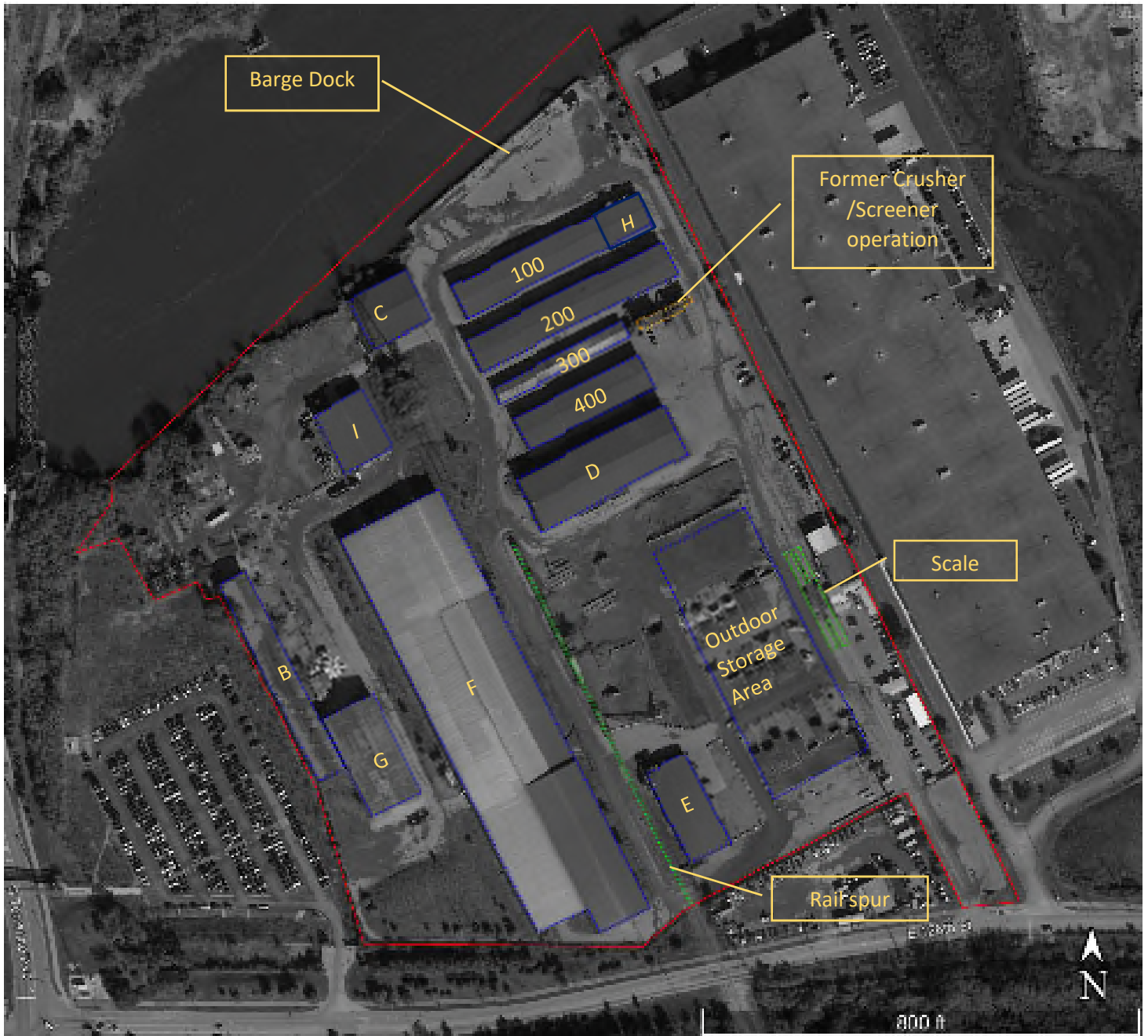
Ingredient CAS Number: 10034-77-2 **Ingredient CAS Code:** M

Standard and Mini Prilled Sucra-Min Iron (Iron Ore Slag)

Section 3. Composition / Information on Ingredients
--

Chemical name	CAS No.	Concentration
Iron Sucrate: Complex Iron Oxide and a reducing agent	No CAS# Available	70-90%
Calcium Sulfate	7778-18-9	10-30%

ATTACHMENT B
SITE MAP



LEGEND

- Property Line
- Storage Area

FIGURE 1
SITE MAP
 Variance Request
 WTPS Chicago Ferro
 Chicago, Illinois



ATTACHMENT C

PHOTOGRAPHS OF DSI DRY FOG DUST SUPPRESSION SYSTEM

PHOTOGRAPHIC LOG

Variance Request

City of Chicago Rules, Control of Emissions from Handling and Storing Bulk Materials



Photo # 1 Assembled DCI Dry Fog Truck



Photo # 2 View of DCI Dry Fog Truck during assembly with fog nozzles on top



Photo # 3 View of DCI Dry Fog Truck during assembly



Photo # 4 Pressure gauges and flow control for DCI Dry Fog Truck



Photo # 5 DCI Dry Fog control panel with fog nozzles on top



Photo # 6 Assembled DCI Dry Fog Truck

ATTACHMENT D

**USING AGGLOMERATIVE DUST SUPPRESSION AND WIND BREAKS FOR
FUGITIVE DUST ABATEMENT**

Using Agglomerative Dust Suppression and Wind Breaks for Fugitive Dust Abatement

Richard Posner, Dust Solutions, Inc.

Aura Poulsen, Dust Solutions, Inc.

David McMillan, MARC Technologies Pty Ltd.

Introduction

Findings from the recent government enquiry into Coal Workers' Pneumoconiosis in Queensland led to recommendations for reduction in current Occupational Exposure Limits (OEL) for respirable dust. The implementation of effective controls which can reduce dust levels, particularly dust of respirable particulate size of 10 microns (PM10) and below, will significantly reduce these exposure levels.

Dry Fog dust suppression uses an agglomeration technique that can provide up to 99% dust suppression efficiency while adding less than 0.1% moisture to the process using only compressed air and water. The mechanism for suppression of dust using dry fog is especially effective on respirable dust particles at PM10 and below.

Wind breaks are another technique used to prevent wind erosion and particle uptake from material stockpiles.

The purpose of this article is to provide a general background on the science and application of these two dust suppression methods.

History and Science of Dry Fog Dust Suppression

In the 1970's, the technique of dry fog dust suppression was created by Sonic Environmental Systems, Inc., a U.S. based company, for use in industrial dust suppression, humidification and other applications to convey humidified air without the use of a duct. This was accomplished through the special design of a nozzle that atomized water droplets below 10um in size. Original research and testing undertaken by the University of Sweden and Colorado School of Mines (Schowgerdt, 1976) on the nozzles' effectiveness to suppress dust revealed that impaction and agglomeration between a dust particle and binding agent such as water will occur if the water droplet is the same size or smaller than the dust particle. On the contrary, if the water droplet size is much larger than the dust particles (for example 20-300um in size) – then the dust particle (1-15um) will follow the air stream around the water droplet and stay suspended in the air (see Figure 1).

Following this finding, the University of Waterloo in Canada conducted a study on the use of dry fog in various applications utilizing a pneumatic nozzle to create droplet sizes from 30um to 100um inside an electrostatic precipitator. A similar conclusion was reached regarding agglomeration as the Colorado School of Mines, however, it was also determined that a decrease in residence time did not affect the overall efficiency. This was an important factor in determining the effectiveness of the agglomeration pattern of the droplets.

Another consideration in determining the viability of fog as a dust suppressant is its ability to carry a positive charge as shown through lab and field testing of the Sonic nozzle. Studies have also demonstrated that most industrial pollutants acquire an electrostatic charge as they are dispersed into the air. If charged particulate material is exposed to an oppositely charged water fog, there is an increased probability of collision between the particulates and fog droplets. After contact is made, the particulates agglomerate rapidly and fall out of the atmosphere due to their increased weight. This finding was tested with charged and

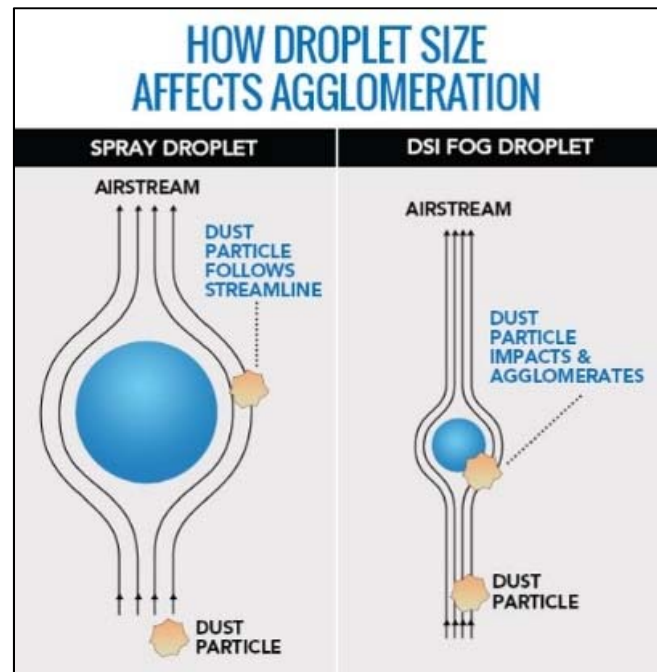


Figure 1: Dust particle agglomeration with droplet size.

This finding was tested with charged and

uncharged fog droplets across a wide variety of industrial pollutants ranging from materials such as coking coal and iron ore crushing dust to other materials that are very lightweight and highly susceptible to moisture such as cement clinker and fly ash (Hoenig, 1977).

The interaction between charged fog droplets and dust particles varied across particulate types but it was noted that the use of fog lowered dust density across all tested materials. For example, when testing dust density of fly ash in a controlled environment, it was found that the fog reduced the density of respirable material by fog by over 91%. There are two factors that attributed to this result. The first is that fly ash dust particles, lightweight and approximately 3 μ m particle size are similar in size to the fog droplet, which facilitates a stronger collision and agglomeration between particles. The second is that the fly ash holds a negative charge which was effectively suppressed by positively charged fog (see Figure 2).

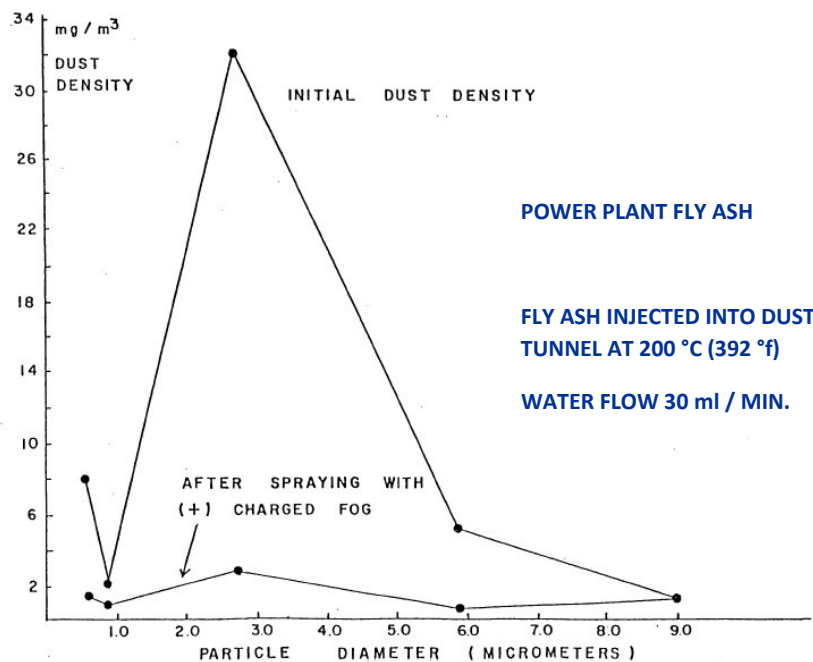


Figure 2: Using positively charged fog on fly ash from a power plant.

The same test with non-charged fog and positively charge foundry dust yielded different results but showed that dust density was still reduced through the agglomeration principal (see Figure 3).

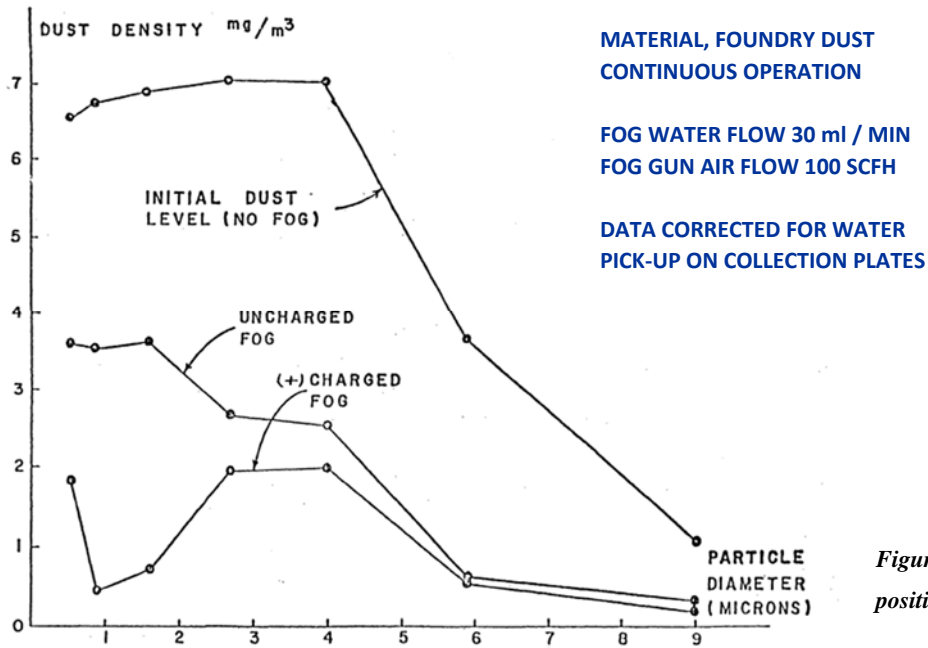


Figure 3: Using non-charged and positively charged fog on foundry dust.

Particulate Control

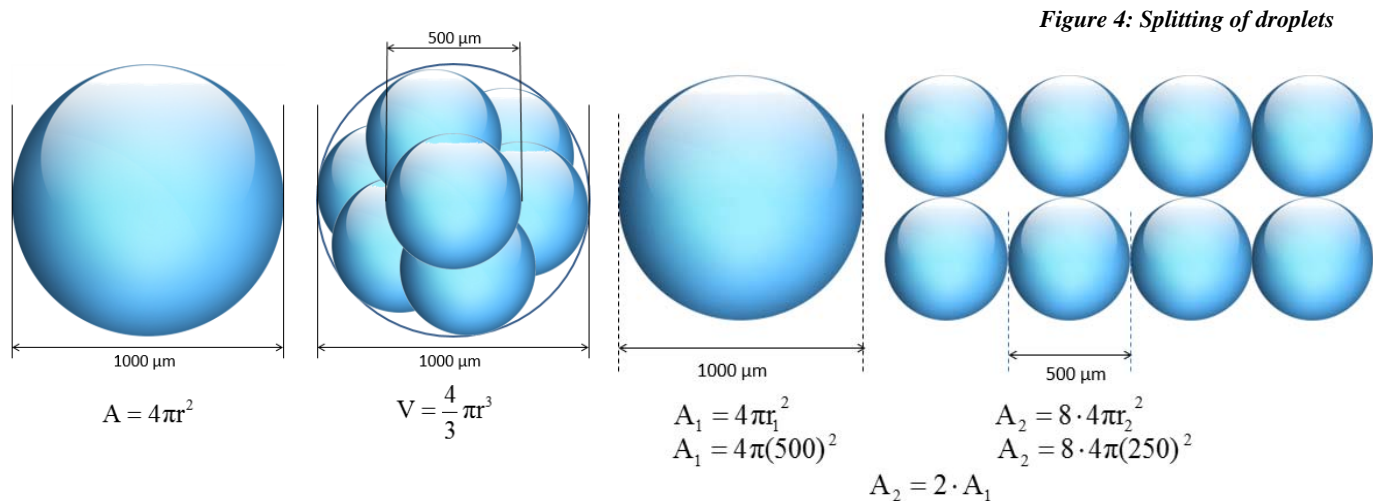
In the above described results, an air stream was created by which dust particles and atomized water droplets (fog) were able to come into contact and stay in a relatively enclosed space. When this occurs, particle removal from the air stream takes place due to three primary mechanisms:

- **Impaction:** When the fog droplet flows in the path of the dust-laden air stream, the droplets and dust particles may collide depending on their initial trajectory and velocity. This collision is called impaction (in our case agglomeration). Due to inertia, the impact with the droplet will cause the dust particle to become encapsulated, increasing its weight causing it to fall out of the atmosphere.
- **Interception:** The finer particles moving within the air stream do not hit the fog droplets directly but rather graze the droplets and adhere to them. This mechanism also causes an increase in particle weight.
- **Diffusion:** When fog droplets are scattered among dust particles, the particles are deposited on the droplets by diffusion.

The impaction / interception efficiency increases as the amount of water droplets compared with dust particles increases, the particle size increases (or conversely the water droplet size

decreases), and the velocity of the droplets is fast enough to create an airstream by which the particles will flow.

It is also important to note in the above study, that as the particle sizes decreased, the surface area of the fog increased. This is easy to understand from a simple physics and calculation perspective. If we have a gallon of water in a simple sphere and split it into 8 smaller spheres the surface area increases, while the volume of water stays the same. Figure 4 demonstrate this concept:



By splitting the droplet into 8 smaller droplets, we have just doubled the size of the surface area. The ultrasonic nozzle creates droplets in the range of 1-10um, with an average droplet size of 5um. We would need to split the spheres 15 times to achieve these sized droplets. After 15 divisions of the spheres, we will have droplets of average size 5.9um, and a surface area of approximately 3848 meters squared versus the original sphere at 0.12 meters squared. In terms of dust suppression, this means that less water is used to achieve the same suppression by agglomeration. The idea is to overwhelm the dust particles with the fog to create this opportunity for impaction and interception. With more fog and droplets, the chances of agglomeration greatly increases, producing a better effect of suppression.

The Ultrasonic Nozzle

The ultrasonic nozzle is the core component of the dry fog dust suppression system. Unlike water spray or misting systems, ultrasonic nozzles create fog droplets below 10um that most closely match and most effectively agglomerate with PM2.5 and PM10. This is accomplished

using compressed air to forcefully push air and water into a convergent divergent venturi. This process creates a standing shock wave of 47k Hz, essentially a high frequency sound wave. Air is accelerated beyond the speed of sound through the venturi creating shock waves, which pass into a resonator cavity and are reflected back to amplify the subsequent waves. The result is an intense field of sonic energy focused between the nozzle body and the resonator cavity. The diagram below shows a cross section of the orifice and resonator cavity.

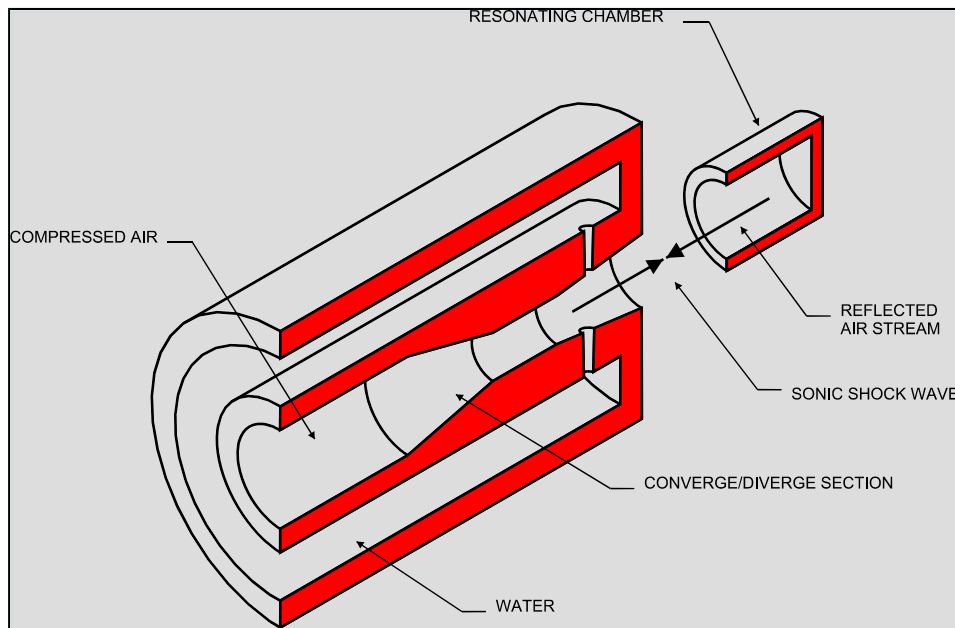


Figure 5: Cross section of orifice and resonator.

The water particles are sheared by the incoming air down to smaller sized droplets and then enter the air stream. Upon entering the shock wave zone, the water droplets are shattered into very fine droplets below 10um in size. Due to the fact that the nozzle does not use high hydraulic pressure, the orifice opening for the water and air can be larger than normal atomization nozzles. Additionally, the sonic shock wave helps foster small vibrations that create a “self-cleaning” nozzle.

Dry Fog Dust Suppression Applications

Transfer Points

A very common application for material movement in coal handling are transfer points. This is when material is moved between conveyors which may or may not be moving in different directions. Dust is typically generated in two locations during material transfer. The first

location is the discharge point where material that is too light to fall during the discharge becomes airborne when moving from one conveyor to another. The second location and more significant area of dust creation is the receiving belt where the material lands. Typically, there is a skirt board, or what is commonly referred to as a conveyor cover, on the receiving belt. To shield the dust particles that become airborne upon impact. However, due to the air movement from the displacement by the material, the dust that is generated moves with the material flow. This air displacement can be calculated by knowing the belt width, material bulk density, and material load (tons per hour). Air is created at a rate proportional to the belt width. The equation for this is as follows (source: Martin Engineering):

$$A_G = 350 \times BW + A_R$$

- A_G = Air Generated
- BW = belt width in feet
- A_R = Additional air generated from the drop.

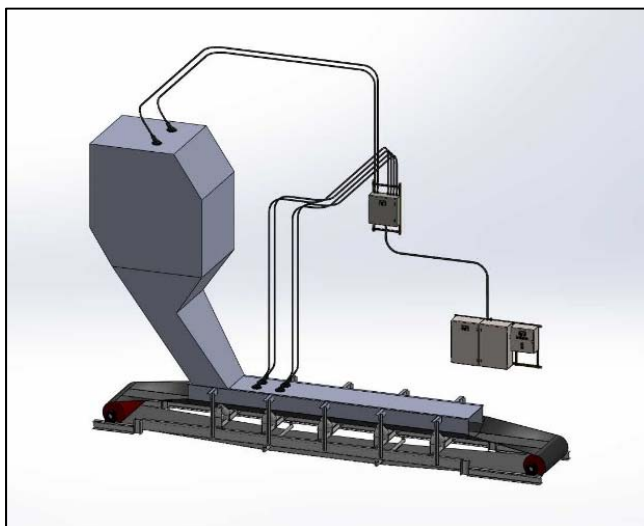
If this is greater than a 3' drop and BW is less than 3 then $A_R = 700$. If there is a greater than 3' drop and BW is greater than 3' then $A_R = 1000$. If the drop is less than 3', then $A_R = 0$

The displaced air is determined by tons per hour of the material and the material bulk density. The equation is as follows:

$$A_D = (K \times L) / D$$

- A_D = Displaced Air
- K = conversion factor 33.3
- D = Material bulk density (lbs/ft³)

Adding these two numbers together provides the amount of air flow through the transfer point. Higher numbers signify that more dry fog that would be required to agglomerate with



the dust particles before they exit the conveyor cover. More nozzles are typically used at the impact point on the receiving conveyor due to the larger amount of dust generated at the impact on the receiving conveyor, more nozzles are typically used at that location to prevent the dust from exiting the conveyor into the open air (see Figure 7).

ROM Bins and Receiving Hoppers

Another common dry fog application for coal handling is ROM bins and receiving hoppers, where coal is dumped by truck into a ROM bin at a mine, or transferred into a surge or receiving hopper. During this dumping process and when the material strikes the hopper below, the air is displaced and large plumes of dust rise out of the hopper.

Dry fog can be used to counteract the dust by creating a “blanket” of fog in the bin area, which captures the dust as it pushes up the walls of the bin, settling the dust back into the bin and preventing it from escaping to atmosphere. As fog is light, it will also follow the uprush of air up the bin walls, and continues to act on any dust that may push through this blanket.

Where the ROM bin or hopper is exposed, dry fog can be used in conjunction with wind fencing to suppress this dust. The wind fence is used to contain the dust and dry fog in the same area to allow the agglomeration to occur between the dust particles and the fog droplets. Additionally, the wind fence is used to reduce the speed of the wind that could potentially blow the dust or dry fog out of the area.

Train Unloading

Coal may arrive at an export terminal by rail. In the case where the material arrives via train, this is another potential area for dust creation. There are two types of coal unloading methods from railcars: rolover wagon tippler or belly dump. The wagon tippler is a process where a drive mechanism rotates the entire railcar onto its side and the material empties out of the top into hoppers below. This creates a large displacement of air and as the material hits the



Figure 8: Photo of a dry fog system with wind fencing on a receiving hopper at a coal power plant.

hoppers below causing the dust to rise with the air flow out of the hoppers. In a belly dump system, the bottom of the railcar opens to drop the materials into a hopper below. This operation also has the potential to create significant amounts of dust.

The wagon tippler creates more dust than a belly dump, however, both involve the same design concept. The idea is to use the hoppers sides to the advantage of the dry fog. The hoppers are filled with fog prior to discharging the material to create a “blanket” across the open area, similar to with ROM bins and hoppers. When the material is discharged, the fog agglomerates with the dust prior to leaving the hopper, increasing the particle weight and returning it to the process. The air that flows out of the hopper will carry the additional fog.

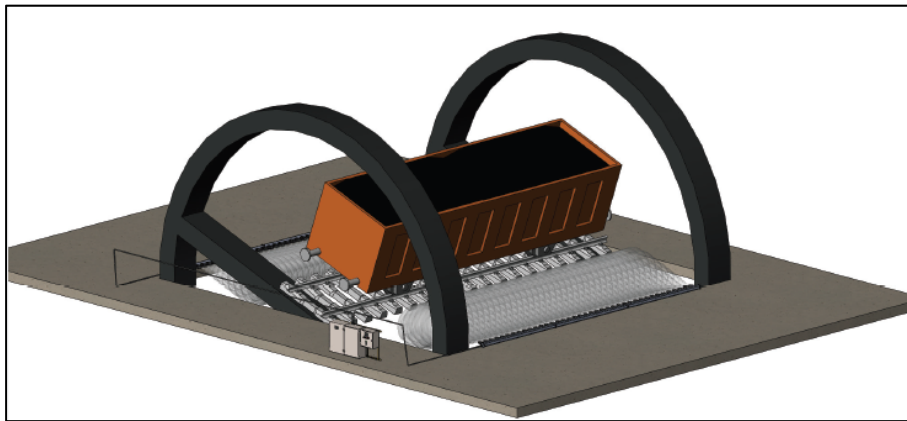


Figure 9: Design concept for a rollover wagon tippler using manifolds of nozzles to create the dry fog inside the hopper area below the wagon tippler.



Figure 10: A wagon tippler using dry fog.

Crushing Area

The crushing area at a coal mine typically consists of a rotary breakers and scalping screens, or a crushing circuit and a screening circuit, where the material enters into the crusher building and is sent into a screen. The screen determines the material that does not need to be crushed (fines) and the material that is too large and needs to be crushed further. These areas act like transfer points moving the coal from one conveyor to another and through the crusher. A study was conducted to determine the dust concentration in various locations in the crushing area before and after the use of a fogging system (Warrington, 1979). The following results were obtained:

Dust Concentration in mg/m³

Application	Before Fogging System	After Fogging System
Crusher Feed Point	72.63	1.67
Crusher Discharge	192.98	5.22
Screen	10.80	0.42
Transfer Point	15.10	1.06

There is an average reduction of almost 96% dust concentration in using the dry fog system within a crushing plant area.

Fly Ash Loading

In coal power plants, fly ash is a by-product of the coal combustion process. The non-combustible minerals that occur from burning coal form bottom ash and fly ash. Bottom ash is a light-weight aggregate material that falls to the boiler bottom for collection. Fly ash are the fine particles of ash from solid fuel material that is carried off with the flue gases. The material is handled through conveying systems and then eventually loaded onto trucks which transport the fly ash to either a holding area at the plant or a storage area off-site. This product may also be recycled and used in other applications such as in cement plants. Fly ash has a very low material density, which makes it lightweight, fine and extremely dusty. The process of loading this onto trucks has the potential to create high levels of dust emissions. Many plants use a pug mill or paddle mixer, which is a machine that adds water into the fly ash before it is loaded onto the trucks, however, this is detrimental to the process in that fly ash will harden when wet and moisture also adds weight to the process which adds costs

during transportation. There are also operational and environmental factors when fly ash is converted from wet-to-dry. Dry systems offer plants the benefit of eliminating surface impoundments and their associated water quality and structural integrity risks.

Dry fog is one solution for the conveyance of bottom and fly ash that will not wet the product and can be used at the loading point. The system is designed to fill the truck bed with fog so that when the material impact causes a dust plume in the truck bed, the dust particles will agglomerate with the “blanket” of fog that covers the area. Dry fog can effectively suppress dust while adding less than 0.1% moisture to the process.



Figure 11: Fly ash loading into a truck bed using Dry Fog

References:

Billman, B. and Arya, S.P.S. 1984. Windbreak Effectiveness for the Control of Fugitive Dust Emissions from Storage Piles: A Wind Tunnel Study. CR-811973. Atmosphere Sciences Research Laboratory, U.S. Environmental Protection Agency, Research Triangle Park, NC.

Colinet, J., Rider, J. et al. 2010. Best Practices for Dust Control in Coal Mining. Information Circular 9517. Department of Health and Human Services, Pittsburgh, PA USA.

Cowherd, C., Muleski, G., Kinsey, J. 1988. Control of Open Fugitive Dust Sources. EPA-450/3-38-008. U.S. Environmental Protection Agency, Research Triangle Park, NC.

Daugherty, D.P and Coy, D.W. 1979. Assessment of the Use of Fugitive Dust Emission Control Devices. EPA-600/7-79-045. Research Triangle Institute. U.S. Environmental Protection Agency, Research Triangle Park, NC.

Douglas, P.L., Dullien F, Spink, D.R. 1976. An Investigation of the Operating Parameters of a Low Energy Wet Scrubber for Fine Particles. Canadian Journal of Chemical Engineering. Canadian Society of Chemical Engineering.

Hoenig, Stuart A. 1977. The Use of Electrostatically Charged Fog for Control of Dust from Open Sources. EP-600/7-77-131. U.S. Environmental Protection Agency, Research Triangle Park, NC.

Loredo-Souza, A, Schettini, E. S., Park, C. Paper #1161. Wind Tunnel Studies on the Shelter Effect of Porous Fences on Coal Pile Models of the CVRD – Vitoria, Brazil.

Schowengerdt, F.D., Brown, J.T., 1976. Colorado School of Mines Tackles Control of Spirable Coal Dust, Coal Age. Journal Volume: 81:4. Golden Colorado.

Warrington, Glen. 1979. Using Agglomerative Dust Suppression for Dust Abatement in Crushing and Screen Plants. Aggregate Producers Association of Ontario. Ottawa, Ontario. CA.

Coal Workers' Pneumoconiosis Select Committee, May 2017. 'Black Lung – White Lies', Inquiry into the re-identification of Coal Workers Pneumoconiosis in Queensland: Executive Summary, Report No.52, 55th Parliamentary Enquiry.

Online Source - Vito Equations <https://www.martin-eng.com/sites/default/files/downloadable-files/resourceswhite-papers/facts-concerning-dust-air.pdf>

All project photos courtesy of Dust Solutions, Inc. Beaufort, SC. USA.

ATTACHMENT E
TARPING MEMO

**SETTLEMENT PRIVILEGED & CONFIDENTIAL COMMUNICATION -
SUBJECT TO FEDERAL AND ILLINOIS RULES OF EVIDENCE**

From: Bridgette Jones
Sent: Friday, December 28, 2018 10:33 AM
To: Bridgette Jones <Bridgette.Jones@watcocompanies.com>
Subject: PLEASE READ ASAP-CHANGE NOTICE FROM WATCO MANAGEMENT
Importance: High

***Announcement Regarding Change in Procedure for Loading and
Unloading Dump Trucks***

December 28, 2018

Watco
2926 E 126th PL
Chicago, IL 60633

Watco Terminals would like to thank you for assisting us with our initiative of operating a terminal that is environmentally compliant and safe for our employees, community and drivers. We have incorporated many additional safeguards this year to make sure we are compliant and aware of any potential variances in the air quality while loading and unloading trucks.

In line with this, effective **IMMEDIATELY**, ALL trucks must be tarped **BEFORE** they enter our terminal. This change in procedure was necessitated by the EPA and the City of Chicago to make sure the air quality in and around our terminal stays at a certain levels. We do understand that this is going to be new for the drivers so we are asking that you remind them as often as you can. We will also remind them and advise when the rules are not enforced. Our hope is that this change will be met with little or no resistance so that we can continue the awesome relationships we have with you and the drivers.

Please keep in mind that this new terminal policy will be ***heavily enforced.***

- I. TRUCKS MUST BE TARPED BEFORE THEY ENTER OUR ADDRESS-THEY MUST STAY TARPED UNTIL THE ARRIVE AT THE PLACE IN THE YARD THAT THEY WILL BE LOADED /UNLOADED. **THIS INCLUDES PIG IRON LOADS**
- II. TRUCKS MUST TARP **IMMEDIATELY** AFTER THEY ARE LOADED-INSIDE THE BUILDING (THEY SHOULD NOT CROSS OUR SCALE ON THE WAY OUT WITHOUT BEING TARPED)

- III. ALL DRIVERS SHOULD CONTINUE TO ARRIVE AT THE FACILITY WITH PROPER PPE (HARD HAT, VEST, GLASSES)

If you have any questions, please feel free to contact us. Thank you in Advance for assisting us with the change.

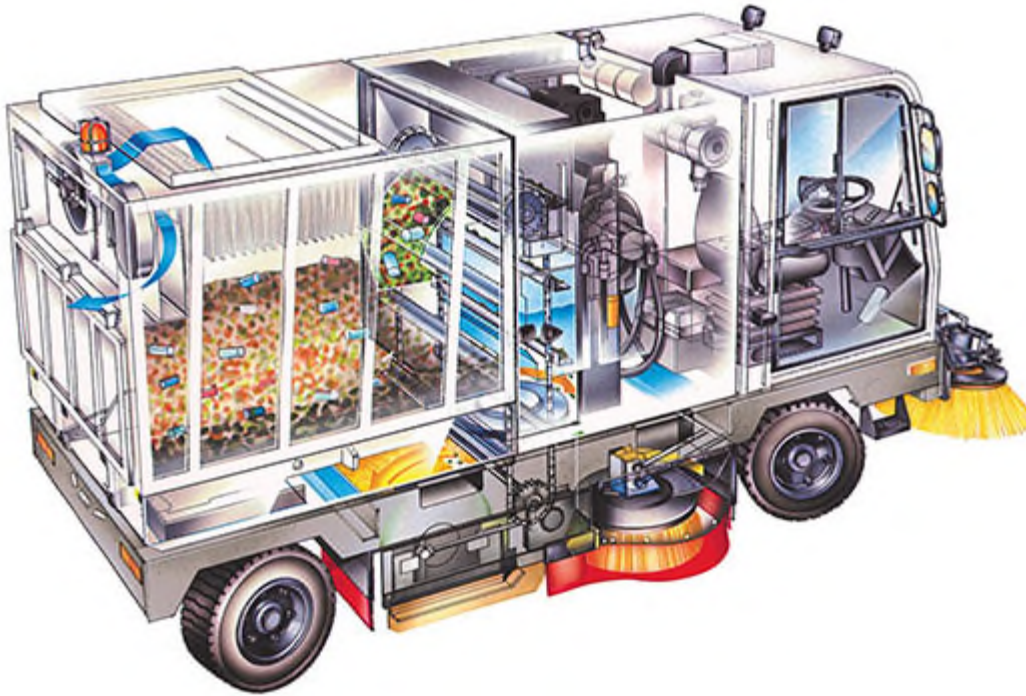
HAPPY NEW YEAR!!!!



ATTACHMENT F
SWEEPER SPECIFICATIONS

Sentinel Outdoor Ride-On Sweeper

FEATURES



HIGHLIGHTS

- Collect virtually all forms of debris with direct throw system, debris conveyor and corrosion-resistant stainless steel hopper.
- Powerfully clean the toughest applications with the Sentinel's 100.6 hp / 75 kW Cummins 4F turbo diesel engine.
- Meet the most stringent PM-10 environmental air quality requirements with a hydraulic twin vacuum dust control system.
- Simplify operation with 1-Step™ activation, LCD digital control panel, and power steering.
- Easily maneuver in tight spaces with the sweepers 13 ft / 3960 mm turning radius.

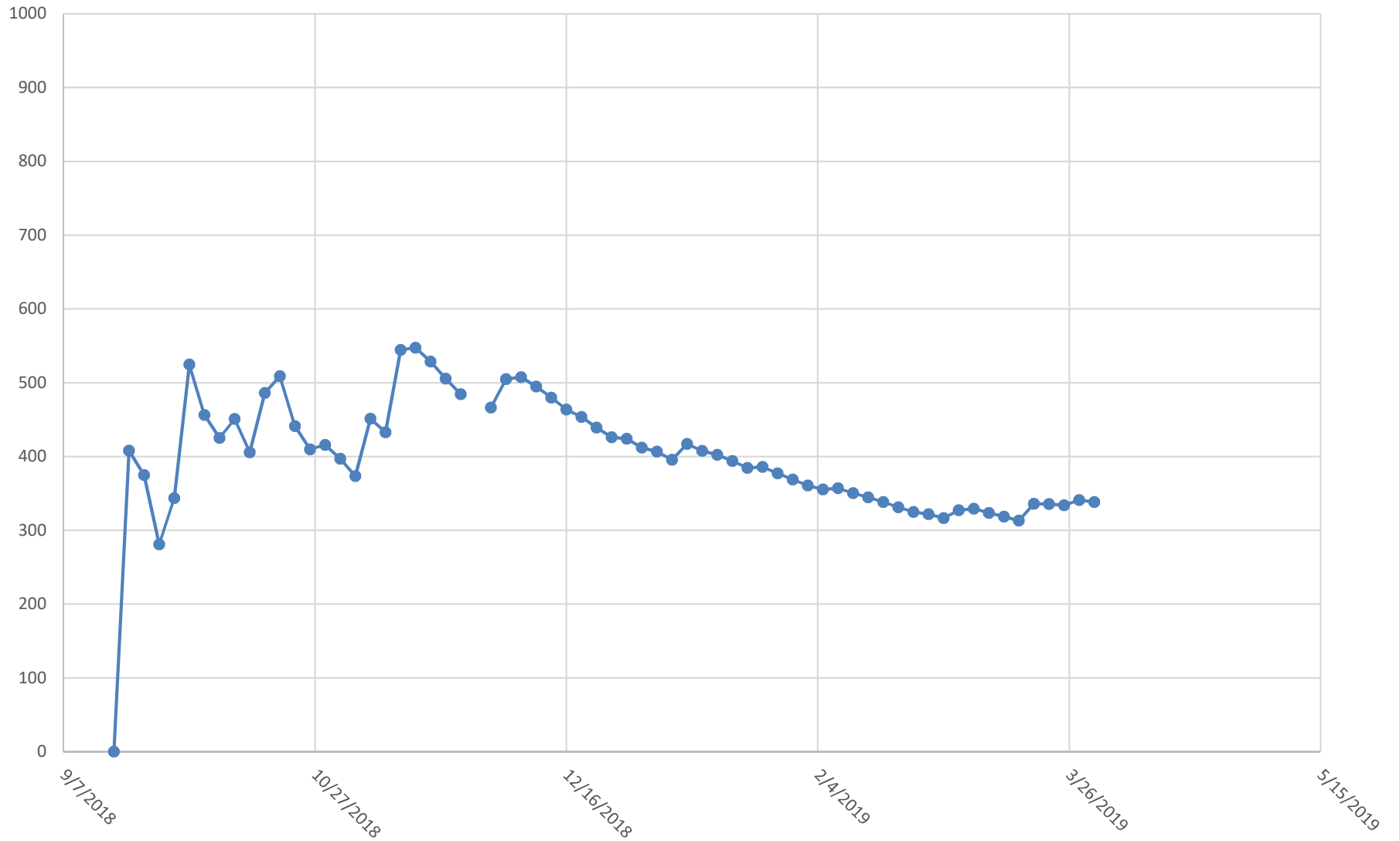
SPECIFICATIONS

- Air Technology / Broom Technology: Broom Technology
 - Application: Outdoor
 - Dump Type: Low Dump
 - Estimated Run Time: Continuous
 - Main Brush Dimensions: 51 in / 1295 mm
 - Sound Level: As low as 78.5 dBA
 - Propelling Speed: Up to 25 mph / 40 km/h
- Sweep Technology: Direct Throw, Conveyor
 - Cleaning Path: 69 in / 1750 mm, 87 in / 2210 mm, 126 in / 3200 mm
- Hopper Capacity: 3.4 cubic yd / 2.6 cubic m
 - Dust Control Systems: Dry, Wet, Dry & Wet
 - Estimated Coverage/Productivity: Up to 535920 sq ft / 49500 sq m
 - Machine Type: Ride-On
 - Power Source: Diesel
 - Side Brush Dimensions: 32 in / 810 mm (diameter) - side broom
 - Service Plans: Gold, Silver, Pay as You Go, Safety Inspection, Block of Time

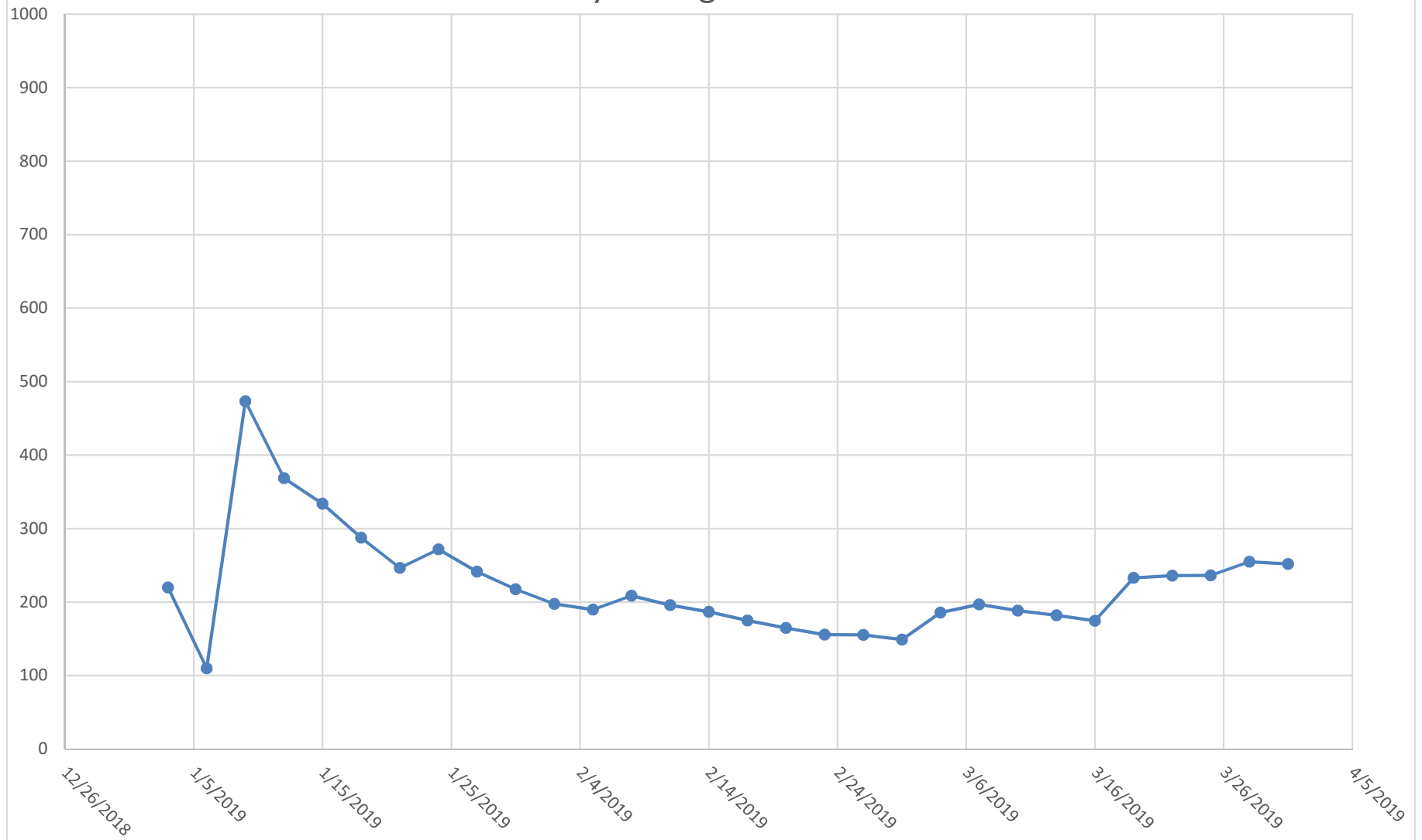
ATTACHMENT G
ROLLING AVERAGE MANGANESE CONCENTRATIONS

WTPS CHICAGO FERRO TERMINAL

Rolling Average Manganese Concentration (ng/m³)



WTPS CHICAGO FERRO TERMINAL
Rolling Average Manganese Concentration (ng/m³)
January through March 2019



ATTACHMENT H
FUGITIVE DUST MONITORING REPORTS

Timestamp	Weather Station Wind Direction (°) (averaged hourly)	Weather Station Wind Speed (mi/hr) (averaged hourly)	Weather Station GUST (mi/hr) (averaged hourly)	E-BAM Plus Station 4 ConcHR ($\mu\text{g}/\text{m}^3$) (averaged hourly)	E-BAM Plus Station 1 ConcHR ($\mu\text{g}/\text{m}^3$) (averaged hourly)	E-BAM Plus Station 3 ConcHR ($\mu\text{g}/\text{m}^3$) (averaged hourly)	E-BAM Plus Station 2 ConcHR ($\mu\text{g}/\text{m}^3$) (averaged hourly)
2/28/2019 23:00	291.92	4.35	6.2	11	23	12	9
2/28/2019 22:00	141.42	3.98	6.1	19	25	14	19
2/28/2019 21:00	24.42	5.01	7.05	13	61	10	17
2/28/2019 20:00	19.08	5.44	7.7	6	19	9	9
2/28/2019 19:00	23.08	6.64	8.6	8	4	9	7
2/28/2019 18:00	38.92	5.87	8.35	14	8	14	13
2/28/2019 17:00	47.17	5.29	7.9	14	18	14	16
2/28/2019 16:00	60.83	5.31	7.5	18	29	20	21
2/28/2019 15:00	87.25	3.84	6.4	32	28	23	27
2/28/2019 14:00	104.25	4.89	7.5	48	31	31	32
2/28/2019 13:00	41	6.05	8.7	47	43	48	47
2/28/2019 12:00	99.58	4.49	6.6	56	51	47	54
2/28/2019 11:00	177.08	3.1	5.15	56	31	39	60
2/28/2019 10:00	242.83	3.27	5.55	46	27	36	82
2/28/2019 9:00	296.67	3.73	5.45	29	21	23	33
2/28/2019 8:00	295.17	4.9	6.9	11	15	18	19
2/28/2019 7:00	316.67	5.78	8.35	12	7	10	13
2/28/2019 6:00	306.42	5.67	8.45	10	9	14	15
2/28/2019 5:00	323.08	6.28	9.15	15	14	10	12
2/28/2019 4:00	308.92	4.91	7.6	11	10	10	13
2/28/2019 3:00	313.92	4.59	6.9	11	9	9	12
2/28/2019 2:00	318.83	4.73	6.8	16	12	15	7
2/28/2019 1:00	322.58	5.45	8.1	18	22	21	19
2/28/2019 0:00	320.92	5.89	8.6	20	11	16	15
2/27/2019 23:00	330.83	6.84	9.87	22	20	18	22
2/27/2019 22:00	327.08	8.1	12.19	21	23	18	17
2/27/2019 21:00	327.67	8	12.19	19	17	21	22
2/27/2019 20:00	326.33	8.86	13.28	20	17	19	27

Timestamp	Weather Station Wind Direction (°) (averaged hourly)	Weather Station Wind Speed (mi/hr) (averaged hourly)	Weather Station GUST (mi/hr) (averaged hourly)	E-BAM Plus Station 4 ConcHR ($\mu\text{g}/\text{m}^3$) (averaged hourly)	E-BAM Plus Station 1 ConcHR ($\mu\text{g}/\text{m}^3$) (averaged hourly)	E-BAM Plus Station 3 ConcHR ($\mu\text{g}/\text{m}^3$) (averaged hourly)	E-BAM Plus Station 2 ConcHR ($\mu\text{g}/\text{m}^3$) (averaged hourly)
2/27/2019 19:00	306.92	8.55	13.5	24	19	22	22
2/27/2019 18:00	301.08	8.57	13.6	22	22	26	20
2/27/2019 17:00	304	9.7	15.1	38	31	35	35
2/27/2019 16:00	289.92	8.57	13.81	32	21	33	31
2/27/2019 15:00	282.33	8.07	12.18	47	17	33	41
2/27/2019 14:00	278.08	6.92	10.72	61	32	40	50
2/27/2019 13:00	309.92	9.85	16.5	61	44	55	89
2/27/2019 12:00	300.42	8.06	12.63	67	46	63	83
2/27/2019 11:00	287.17	6.22	9.49	67	51	65	81
2/27/2019 10:00	277.83	4.31	6.8	41	40	32	49
2/27/2019 9:00	240.33	2.5	3.8	34	62	27	42
2/27/2019 8:00	102.67	2.14	3.65	38	36	36	37
2/27/2019 7:00	39.25	4.06	5.75	29	26	36	31
2/27/2019 6:00	77.5	3.48	5.1	26	23	35	26
2/27/2019 5:00	115	4.47	6.85	23	28	23	25
2/27/2019 4:00	110.33	5.54	8.4	21	21	23	27
2/27/2019 3:00	75.58	5.27	7.85	19	18	16	14
2/27/2019 2:00	83.25	5.49	8.3	14	17	12	15
2/27/2019 1:00	111.92	7.43	11.19	22	17	15	17
2/27/2019 0:00	113.83	7.93	11.69	20	21	20	15
2/26/2019 23:00	109.58	8.06	11.8	19	25	20	16
2/26/2019 22:00	108.5	10.5	15.15	17	15	13	8
2/26/2019 21:00	106.25	9.28	13.61	14	13	12	12
2/26/2019 20:00	71.5	8.93	13.75	10	17	8	9
2/26/2019 19:00	62.08	10.24	15.3	11	15	13	11
2/26/2019 18:00	62.17	10.82	16.65	14	32	16	15
2/26/2019 17:00	61.5	10.58	16	24	52	12	18
2/26/2019 16:00	59.42	9.97	14.7	15	114	9	16

Timestamp	Weather Station Wind Direction (°) (averaged hourly)	Weather Station Wind Speed (mi/hr) (averaged hourly)	Weather Station GUST (mi/hr) (averaged hourly)	E-BAM Plus Station 4 ConcHR ($\mu\text{g}/\text{m}^3$) (averaged hourly)	E-BAM Plus Station 1 ConcHR ($\mu\text{g}/\text{m}^3$) (averaged hourly)	E-BAM Plus Station 3 ConcHR ($\mu\text{g}/\text{m}^3$) (averaged hourly)	E-BAM Plus Station 2 ConcHR ($\mu\text{g}/\text{m}^3$) (averaged hourly)
2/26/2019 15:00	45.33	9.83	14.75	16	102	13	15
2/26/2019 14:00	52.25	8.98	13.05	14	61	10	19
2/26/2019 13:00	65.5	9.37	13.95	10	75	10	15
2/26/2019 12:00	74.25	10.68	15.5	13	276	12	18
2/26/2019 11:00	71.17	10.97	16.75	30	438	15	27
2/26/2019 10:00	30.33	9.83	14.15	42	285	26	36
2/26/2019 9:00	23.08	9.92	14.2	46	50	23	45
2/26/2019 8:00	19.67	10.38	15.25	29	31	23	38
2/26/2019 7:00	7.92	10.41	17.15	15	23	12	17
2/26/2019 6:00	7.58	10.77	15.6	13	9	7	10
2/26/2019 5:00	10.5	9.23	13.7	13	14	16	16
2/26/2019 4:00	11.33	8.66	13	19	19	19	16
2/26/2019 3:00	8.67	9.49	14.06	19	20	11	19
2/26/2019 2:00	11	9.08	13.2	16	8	16	13
2/26/2019 1:00	13.67	7.59	10.81	8	8	10	8
2/26/2019 0:00	16.33	6.66	9.25	12	11	9	16
2/25/2019 23:00	16.25	5.78	7.75	10	14	8	8
2/25/2019 22:00	29.75	5.38	7.65	9	9	8	12
2/25/2019 21:00	53.42	5.33	7.7	14	16	13	12
2/25/2019 20:00	54.67	4.95	7	13	16	11	13
2/25/2019 19:00	25.75	4.68	6.2	16	15	16	19
2/25/2019 18:00	43.83	5.1	7.25	27	17	12	15
2/25/2019 17:00	205.75	3.78	6.05	40	14	25	35
2/25/2019 16:00	278.42	5.66	8.7	31	11	39	63
2/25/2019 15:00	278.67	5.89	9.84	41	10	46	51
2/25/2019 14:00	271.17	6.25	9.6	60	12	40	35
2/25/2019 13:00	267.92	6.45	10.56	36	18	29	37
2/25/2019 12:00	263.33	7.53	11.63	42	11	51	33

Timestamp	Weather Station Wind Direction (°) (averaged hourly)	Weather Station Wind Speed (mi/hr) (averaged hourly)	Weather Station GUST (mi/hr) (averaged hourly)	E-BAM Plus Station 4 ConcHR ($\mu\text{g}/\text{m}^3$) (averaged hourly)	E-BAM Plus Station 1 ConcHR ($\mu\text{g}/\text{m}^3$) (averaged hourly)	E-BAM Plus Station 3 ConcHR ($\mu\text{g}/\text{m}^3$) (averaged hourly)	E-BAM Plus Station 2 ConcHR ($\mu\text{g}/\text{m}^3$) (averaged hourly)
2/25/2019 11:00	265.25	8.38	13.7	54	13	80	46
2/25/2019 10:00	258.75	8.18	12.53	44	13	63	54
2/25/2019 9:00	265.25	8.78	13.8	18	14	23	32
2/25/2019 8:00	270.92	10.12	16	4	9	6	7
2/25/2019 7:00	263.25	11.49	18.6	5	5	7	6
2/25/2019 6:00	265.67	10.25	15.7	8	4	9	7
2/25/2019 5:00	275.08	9.8	14.65	10	8	8	5
2/25/2019 4:00	278.58	11.7	18.5	10	8	14	9
2/25/2019 3:00	267.83	13.57	23.27	11	8	10	10
2/25/2019 2:00	276.75	13.26	23.11	27	9	14	18
2/25/2019 1:00	278.08	14.63	25.95	45	11	21	17
2/25/2019 0:00	274.67	16.34	25.99	32	9	24	17
2/24/2019 23:00	266.5	17.85	30.55	80	23	35	28
2/24/2019 22:00	263.92	17.97	31.7	101	18	45	39
2/24/2019 21:00	262.33	19.88	35.03	99	25	51	45
2/24/2019 20:00	262.83	19.96	33.69	112	22	55	48
2/24/2019 19:00	260.5	22.81	38.49	104	19	62	58
2/24/2019 18:00	260.25	22.34	38.05	35	26	35	47
2/24/2019 17:00	261.25	23.57	41.08	30	26	23	46
2/24/2019 16:00	260	25.07	41.18	27	18	23	35
2/24/2019 15:00	260.17	25.2	42.27	18	11	18	16
2/24/2019 14:00	262.83	23.78	39.48	14	19	13	17
2/24/2019 13:00	263.5	21.52	36.17	17	15	12	24
2/24/2019 12:00	262.92	23.43	39.5	14	14	15	21
2/24/2019 11:00	260.25	23.85	38.85	18	16	17	19
2/24/2019 10:00	261.83	22.16	37.37	12	11	6	9
2/24/2019 9:00	261	23.06	38.21	-1	7	2	-1
2/24/2019 8:00	264.92	19.87	34.24	2	-1	2	5

Timestamp	Weather Station WInd Direction (°) (averaged hourly)	Weather Station Wind Speed (mi/hr) (averaged hourly)	Weather Station GUST (mi/hr) (averaged hourly)	E-BAM Plus Station 4 ConcHR ($\mu\text{g}/\text{m}^3$) (averaged hourly)	E-BAM Plus Station 1 ConcHR ($\mu\text{g}/\text{m}^3$) (averaged hourly)	E-BAM Plus Station 3 ConcHR ($\mu\text{g}/\text{m}^3$) (averaged hourly)	E-BAM Plus Station 2 ConcHR ($\mu\text{g}/\text{m}^3$) (averaged hourly)
2/24/2019 7:00	260.08	22.04	36.77	7	1	4	4
2/24/2019 6:00	257	25.62	40.2	10	3	8	3
2/24/2019 5:00	244	23.54	37.06	5	8	0	5
2/24/2019 4:00	231.5	15.38	24.26	7	6	4	3
2/24/2019 3:00	207.58	10.8	16.31	14	7	10	8
2/24/2019 2:00	185.67	7.34	10.28	8	5	7	14
2/24/2019 1:00	198	8.67	13.05	3	-1	1	-1
2/24/2019 0:00	215.75	11.57	18.08	6	2	4	6
2/23/2019 23:00	172.17	15.44	23.93	13	14	10	13
2/23/2019 22:00	150.08	12.53	20.65	12	18	15	15
2/23/2019 21:00	136.67	10.25	17.26	23	22	16	19
2/23/2019 20:00	126.92	7.29	11.64	25	20	29	26
2/23/2019 19:00	121.42	7.55	11.39	27	26	28	27
2/23/2019 18:00	124.92	5.08	8.09	30	24	23	22
2/23/2019 17:00	127.42	6.59	11.05	17	15	17	7
2/23/2019 16:00	109.83	5.25	7.59	18	17	19	17
2/23/2019 15:00	113.08	9.29	13.4	16	17	18	16
2/23/2019 14:00	93	6.07	9.53	24	33	25	22
2/23/2019 13:00	50.17	7	10.09	33	24	29	24
2/23/2019 12:00	277.92	4.36	6.65	39	43	36	39
2/23/2019 11:00	231.08	3.79	6.33	34	28	28	36
2/23/2019 10:00	145	8.98	14.02	24	29	31	31
2/23/2019 9:00	133.75	8.28	13.31	28	30	34	27
2/23/2019 8:00	128.67	7.28	12.13	26	28	41	30
2/23/2019 7:00	115.5	8.57	12.68	25	23	30	23
2/23/2019 6:00	117.58	6.88	10.13	30	26	39	27
2/23/2019 5:00	117.75	7.31	11.39	28	32	34	30
2/23/2019 4:00	114.75	8.64	12.95	25	25	28	25

Timestamp	Weather Station Wind Direction (°) (averaged hourly)	Weather Station Wind Speed (mi/hr) (averaged hourly)	Weather Station GUST (mi/hr) (averaged hourly)	E-BAM Plus Station 4 ConcHR ($\mu\text{g}/\text{m}^3$) (averaged hourly)	E-BAM Plus Station 1 ConcHR ($\mu\text{g}/\text{m}^3$) (averaged hourly)	E-BAM Plus Station 3 ConcHR ($\mu\text{g}/\text{m}^3$) (averaged hourly)	E-BAM Plus Station 2 ConcHR ($\mu\text{g}/\text{m}^3$) (averaged hourly)
2/23/2019 3:00	118.17	7.87	11.83	28	28	37	27
2/23/2019 2:00	114.5	8.16	12.57	35	35	32	30
2/23/2019 1:00	117.25	7.24	11.79	39	30	42	38
2/23/2019 0:00	110.83	9.29	13.25	33	38	45	38
2/22/2019 23:00	108.58	7.72	11.47	27	28	37	24
2/22/2019 22:00	103.67	5.14	8.34	21	21	28	17
2/22/2019 21:00	71.5	6.04	9.37	22	19	21	21
2/22/2019 20:00	65.08	7.58	11.88	28	25	26	18
2/22/2019 19:00	58.5	7.1	10.46	30	32	23	27
2/22/2019 18:00	39.67	6.94	10.13	27	32	24	21
2/22/2019 17:00	37.92	7.22	10.38	46	46	20	30
2/22/2019 16:00	41.08	7.84	10.71	41	213	27	44
2/22/2019 15:00	33.67	8.5	11.44	52	210	47	63
2/22/2019 14:00	31.42	7.3	10.03	63	211	42	60
2/22/2019 13:00	28.08	7.54	10.2	51	247	50	67
2/22/2019 12:00	29.25	6.97	9.6	40	67	41	48
2/22/2019 11:00	58.25	5.62	8.8	25	39	32	37
2/22/2019 10:00	119.58	7.29	11.09	33	92	26	26
2/22/2019 9:00	95.83	7.28	10.9	49	37	34	28
2/22/2019 8:00	31.17	5.9	8.55	35	32	37	30
2/22/2019 7:00	95.17	4.18	6.3	27	29	30	30
2/22/2019 6:00	280	3.9	5.9	29	26	35	29
2/22/2019 5:00	288	3.88	6	30	33	29	30
2/22/2019 4:00	343.17	4.03	5.7	35	35	39	30
2/22/2019 3:00	328.58	2.76	3.9	34	38	40	41
2/22/2019 2:00	329.58	3.69	5.15	39	36	33	32
2/22/2019 1:00	318.75	4.08	5.55	34	34	35	31
2/22/2019 0:00	316.67	3.54	4.75	27	32	29	25

Timestamp	Weather Station Wind Direction (°) (averaged hourly)	Weather Station Wind Speed (mi/hr) (averaged hourly)	Weather Station GUST (mi/hr) (averaged hourly)	E-BAM Plus Station 4 ConcHR ($\mu\text{g}/\text{m}^3$) (averaged hourly)	E-BAM Plus Station 1 ConcHR ($\mu\text{g}/\text{m}^3$) (averaged hourly)	E-BAM Plus Station 3 ConcHR ($\mu\text{g}/\text{m}^3$) (averaged hourly)	E-BAM Plus Station 2 ConcHR ($\mu\text{g}/\text{m}^3$) (averaged hourly)
2/21/2019 23:00	291.83	2.98	4.3	26	22	26	21
2/21/2019 22:00	276.08	3.3	4.95	22	22	20	27
2/21/2019 21:00	262.25	3.36	5.25	26	24	24	23
2/21/2019 20:00	265.83	4.95	7.6	19	16	27	23
2/21/2019 19:00	257.92	7.97	10.9	22	18	27	24
2/21/2019 18:00	258.92	8.01	11.73	25	21	25	21
2/21/2019 17:00	257.75	8.86	12.7	41	26	32	33
2/21/2019 16:00	253.75	9.67	13.5	41	21	34	41
2/21/2019 15:00	258.42	9.43	14.55	55	20	38	51
2/21/2019 14:00	262.42	9.18	13.75	50	16	31	29
2/21/2019 13:00	267.17	9.16	14.12	38	13	25	25
2/21/2019 12:00	261.33	10.72	16.7	32	24	27	25
2/21/2019 11:00	261	11.86	18.55	26	24	29	25
2/21/2019 10:00	260.75	11.11	17.1	24	20	29	28
2/21/2019 9:00	270.92	9.72	15.5	22	25	18	17
2/21/2019 8:00	266.33	9.28	14.71	19	19	17	20
2/21/2019 7:00	257.25	8.95	13	19	14	17	17
2/21/2019 6:00	256.08	9.32	14.55	24	17	20	13
2/21/2019 5:00	250.08	8.62	13.55	16	10	11	13
2/21/2019 4:00	251.5	10.93	17.05	14	15	13	14
2/21/2019 3:00	255	12.68	19.15	9	16	11	7
2/21/2019 2:00	257.5	14.32	22.14	10	6	11	5
2/21/2019 1:00	255.83	14.72	22.74	6	3	6	3
2/21/2019 0:00	254.75	15.72	24.44	5	3	13	7
2/20/2019 23:00	256.75	16.23	24.85	6	8	9	3
2/20/2019 22:00	247.67	14.09	22.42	10	4	7	7
2/20/2019 21:00	244.83	14.22	22.03	9	7	9	10
2/20/2019 20:00	247.08	15.33	23.27	11	5	11	12

Timestamp	Weather Station Wind Direction (°) (averaged hourly)	Weather Station Wind Speed (mi/hr) (averaged hourly)	Weather Station GUST (mi/hr) (averaged hourly)	E-BAM Plus Station 4 ConcHR ($\mu\text{g}/\text{m}^3$) (averaged hourly)	E-BAM Plus Station 1 ConcHR ($\mu\text{g}/\text{m}^3$) (averaged hourly)	E-BAM Plus Station 3 ConcHR ($\mu\text{g}/\text{m}^3$) (averaged hourly)	E-BAM Plus Station 2 ConcHR ($\mu\text{g}/\text{m}^3$) (averaged hourly)
2/20/2019 19:00	246.17	13.99	21.29	5	-1	8	9
2/20/2019 18:00	241.17	11.66	18.15	1	5	5	0
2/20/2019 17:00	241.33	11.78	19.45	9	4	6	1
2/20/2019 16:00	218.5	12.32	18.8	8	11	10	6
2/20/2019 15:00	194.17	11.3	17.3	5	23	13	5
2/20/2019 14:00	173.83	10.76	16.9	13	21	22	12
2/20/2019 13:00	153.42	10.78	16.65	18	15	18	11
2/20/2019 12:00	140.67	10.46	17.15	15	16	12	18
2/20/2019 11:00	131.25	10.09	16.9	25	21	23	25
2/20/2019 10:00	124.5	10.07	16.65	26	22	23	25
2/20/2019 9:00	109.58	11.13	16.71	21	23	19	12
2/20/2019 8:00	111.17	13.99	21.69	21	18	33	15
2/20/2019 7:00	108.92	14.78	21.78	24	21	20	23
2/20/2019 6:00	106.67	11.07	16.6	26	28	31	26
2/20/2019 5:00	108	11.13	16.45	24	25	21	22
2/20/2019 4:00	105.67	10.49	15.45	20	16	25	20
2/20/2019 3:00	106.33	11.03	16.25	22	18	23	17
2/20/2019 2:00	108.08	10.33	15.51	20	21	27	20
2/20/2019 1:00	107.67	10.29	14.7	18	18	18	11
2/20/2019 0:00	108.83	7.63	11.38	13	15	18	13
2/19/2019 23:00	107.75	7.81	11.55	12	6	16	17
2/19/2019 22:00	111.33	9.65	13.9	12	12	16	15
2/19/2019 21:00	113.92	9.81	14.15	22	15	26	21
2/19/2019 20:00	108.92	8.85	12.52	22	18	22	19
2/19/2019 19:00	77.25	5.45	7.85	17	12	13	12
2/19/2019 18:00	71.08	4.83	6.8	23	20	9	12
2/19/2019 17:00	56.5	6.33	8.95	26	26	23	18
2/19/2019 16:00	55.58	7.38	10.41		22	27	22

Timestamp	Weather Station Wind Direction (°) (averaged hourly)	Weather Station Wind Speed (mi/hr) (averaged hourly)	Weather Station GUST (mi/hr) (averaged hourly)	E-BAM Plus Station 4 ConcHR ($\mu\text{g}/\text{m}^3$) (averaged hourly)	E-BAM Plus Station 1 ConcHR ($\mu\text{g}/\text{m}^3$) (averaged hourly)	E-BAM Plus Station 3 ConcHR ($\mu\text{g}/\text{m}^3$) (averaged hourly)	E-BAM Plus Station 2 ConcHR ($\mu\text{g}/\text{m}^3$) (averaged hourly)
2/19/2019 15:00	132.42	5.67	9.53			8	23
2/19/2019 14:00	171.92	4.09	7.69				
2/19/2019 13:00	169.5	3.63	6.05				
2/19/2019 12:00	170.83	5.1	9.05		25	26	31
2/19/2019 11:00	175.5	7.01	10.48	32	26	44	28
2/19/2019 10:00	180.25	4.74	7.34	31	31	32	35
2/19/2019 9:00	162.92	2.19	3.4	27	27	30	35
2/19/2019 8:00	226.08	1.69	2.65	31	27	26	22
2/19/2019 7:00	278.17	2.1	3.15	28	24	25	24
2/19/2019 6:00	285.42	2.51	3.6	25	20	25	20
2/19/2019 5:00	264.5	3.53	4.85	21	23	28	22
2/19/2019 4:00	283	2.25	3.35	18	20	18	13
2/19/2019 3:00	297.08	3.02	4.25	21	21	20	19
2/19/2019 2:00	306.25	3.45	4.8	22	26	24	19
2/19/2019 1:00	302.58	3.09	4.35	14	15	14	16
2/19/2019 0:00	311.67	3.88	5.55	11	12	15	13
2/18/2019 23:00	278.17	2.59	3.55	11	11	12	10
2/18/2019 22:00	270.92	2.64	3.4	20	8	24	10
2/18/2019 21:00	307.5	2.07	2.8	21	9	21	4
2/18/2019 20:00	133.92	2.44	3.4	38	5	39	14
2/18/2019 19:00	92.17	3.45	4.9	26	-3	24	9
2/18/2019 18:00	10.92	5.01	7.8	27	18	21	19
2/18/2019 17:00	12.08	8.11	11.54	34	18	29	23
2/18/2019 16:00	13.58	8.39	11.97	19	11	18	13
2/18/2019 15:00	45.42	7.59	10.81	16	8	13	12
2/18/2019 14:00	10	8.39	12.57	11	1	8	4
2/18/2019 13:00	10.58	8.48	12.82	16	1	11	14
2/18/2019 12:00	10	9.48	13.75	10	6	13	10

Timestamp	Weather Station Wind Direction (°) (averaged hourly)	Weather Station Wind Speed (mi/hr) (averaged hourly)	Weather Station GUST (mi/hr) (averaged hourly)	E-BAM Plus Station 4 ConcHR ($\mu\text{g}/\text{m}^3$) (averaged hourly)	E-BAM Plus Station 1 ConcHR ($\mu\text{g}/\text{m}^3$) (averaged hourly)	E-BAM Plus Station 3 ConcHR ($\mu\text{g}/\text{m}^3$) (averaged hourly)	E-BAM Plus Station 2 ConcHR ($\mu\text{g}/\text{m}^3$) (averaged hourly)
2/18/2019 11:00	6.17	9.73	14.4	16	12	14	10
2/18/2019 10:00	39	8.82	13.71	18	15	14	8
2/18/2019 9:00	324.08	6.81	9.93	13	15	9	10
2/18/2019 8:00	310.67	4.17	5.99	6	4	12	8
2/18/2019 7:00	188.75	2.97	4.2	9	5	8	8
2/18/2019 6:00	32.17	5.52	8.39	13	10	8	9
2/18/2019 5:00	20.67	6.93	9.25	10	7	11	10
2/18/2019 4:00	22.75	7.5	10.18	9	10	8	9
2/18/2019 3:00	31.25	5.1	7.3	12	12	6	9
2/18/2019 2:00	54.58	4.41	6.5	9	4	8	6
2/18/2019 1:00	48.5	4.78	6.75	6	8	5	4
2/18/2019 0:00	37.42	4.78	7.1	7	12	12	10
2/17/2019 23:00	69.58	4.62	6.85	5	9	11	12
2/17/2019 22:00	85.83	4.33	6.55	12	9	16	12
2/17/2019 21:00	102.5	3.21	4.85	15	11	16	15
2/17/2019 20:00	89.75	3.57	5.35	8	14	12	12
2/17/2019 19:00	91.92	4.11	6.25	9	6	5	11
2/17/2019 18:00	59.33	5.62	8.45	4	7	7	8
2/17/2019 17:00	60	6.8	10.57	4	12	5	4
2/17/2019 16:00	42.08	6.21	9.33	6	12	7	2
2/17/2019 15:00	55.58	6.86	9.94	5	7	7	9
2/17/2019 14:00	65.42	7.93	11.82	13	7	15	10
2/17/2019 13:00	77.08	8.45	13.21	14	9	15	13
2/17/2019 12:00	83.33	6.92	10.99	17	23	21	16
2/17/2019 11:00	98.25	7.78	11.63	15	16	19	19
2/17/2019 10:00	92.08	9.07	13.76	14	20	13	17
2/17/2019 9:00	105.67	10.63	16.25	12	16	12	12
2/17/2019 8:00	110.83	11.81	18	19	24	33	17

Timestamp	Weather Station Wind Direction (°) (averaged hourly)	Weather Station Wind Speed (mi/hr) (averaged hourly)	Weather Station GUST (mi/hr) (averaged hourly)	E-BAM Plus Station 4 ConcHR ($\mu\text{g}/\text{m}^3$) (averaged hourly)	E-BAM Plus Station 1 ConcHR ($\mu\text{g}/\text{m}^3$) (averaged hourly)	E-BAM Plus Station 3 ConcHR ($\mu\text{g}/\text{m}^3$) (averaged hourly)	E-BAM Plus Station 2 ConcHR ($\mu\text{g}/\text{m}^3$) (averaged hourly)
2/17/2019 7:00	114.42	10.59	15.4	11	12	26	20
2/17/2019 6:00	109.17	9.44	14.01	11	15	25	14
2/17/2019 5:00	107.75	8.65	13.22	8	15	21	13
2/17/2019 4:00	104.17	7.41	11.26	6	11	18	12
2/17/2019 3:00	120.08	8.4	13.15	13	8	19	11
2/17/2019 2:00	114.08	9.53	14.65	15	22	25	11
2/17/2019 1:00	120.25	8.6	13.76	14	16	19	14
2/17/2019 0:00	116.42	11.39	16.4	20	17	24	15
2/16/2019 23:00	107.33	9.34	14.3	16	18	19	11
2/16/2019 22:00	99.42	8.69	13.85	5	7	9	8
2/16/2019 21:00	88.17	8.97	13.51	10	8	7	9
2/16/2019 20:00	66.17	7.75	12.07	8	7	5	5
2/16/2019 19:00	55.75	7.82	11.97	7	15	2	1
2/16/2019 18:00	50.25	7.09	10.79	6	11	3	5
2/16/2019 17:00	46.08	8.46	12.71	0	11	7	2
2/16/2019 16:00	62.92	9.44	14.2	3	10	7	4
2/16/2019 15:00	79.25	8.71	13.06	1	13	2	1
2/16/2019 14:00	77.83	9.71	14.4	4	4	7	-1
2/16/2019 13:00	72.5	8.41	12.31	12	9	11	8
2/16/2019 12:00	58.58	7.71	11.38	25	21	23	25
2/16/2019 11:00	37	6.7	9.73	29	30	28	31
2/16/2019 10:00	300.83	5.66	8.44	23	28	26	20
2/16/2019 9:00	320.25	4.58	6.6	21	22	18	18
2/16/2019 8:00	308.92	4	5.8	19	26	21	19
2/16/2019 7:00	313.67	4.36	6.1	16	14	16	18
2/16/2019 6:00	306.58	4.37	6.65	16	15	15	15
2/16/2019 5:00	297.17	4.79	7.05	15	19	18	19
2/16/2019 4:00	285.17	5.19	7.5	18	14	19	17

Timestamp	Weather Station Wind Direction (°) (averaged hourly)	Weather Station Wind Speed (mi/hr) (averaged hourly)	Weather Station GUST (mi/hr) (averaged hourly)	E-BAM Plus Station 4 ConcHR ($\mu\text{g}/\text{m}^3$) (averaged hourly)	E-BAM Plus Station 1 ConcHR ($\mu\text{g}/\text{m}^3$) (averaged hourly)	E-BAM Plus Station 3 ConcHR ($\mu\text{g}/\text{m}^3$) (averaged hourly)	E-BAM Plus Station 2 ConcHR ($\mu\text{g}/\text{m}^3$) (averaged hourly)
2/16/2019 3:00	278.17	5.13	7.3	20	20	19	18
2/16/2019 2:00	299.83	7.11	10.71	17	17	18	11
2/16/2019 1:00	317.58	7.79	11.47	15	15	18	19
2/16/2019 0:00	324.58	8.07	11.57	18	18	20	16
2/15/2019 23:00	317.75	6.78	10.07	21	21	21	19
2/15/2019 22:00	322.33	6.04	8.7	24	27	29	31
2/15/2019 21:00	320.67	5.51	8.1	27	28	25	25
2/15/2019 20:00	303.58	4.93	7.4	25	23	25	23
2/15/2019 19:00	308.5	4.57	7	18	19	22	18
2/15/2019 18:00	293.42	4.7	7.3	17	18	14	12
2/15/2019 17:00	304.08	6.53	10.14	22	25	36	28
2/15/2019 16:00	269.5	7.57	11.99	29	22	54	58
2/15/2019 15:00	258.33	12.3	17.35	30	18	51	41
2/15/2019 14:00	257.92	11.96	17.45	24	23	39	34
2/15/2019 13:00	261.25	11.07	17.35	48	18	36	32
2/15/2019 12:00	262.67	12.07	18.3	48	18	36	23
2/15/2019 11:00	267.58	11.57	17.75	51	19	31	22
2/15/2019 10:00	265.33	11.69	17.8	21	18	18	13
2/15/2019 9:00	268.58	10.66	16.8	21	15	9	15
2/15/2019 8:00	279.33	9.94	14.55	19	18	13	17
2/15/2019 7:00	276.92	8.57	13.96	21	12	15	13
2/15/2019 6:00	279.42	9.85	16.2	21	15	18	20
2/15/2019 5:00	266.42	13.68	21.39	15	17	24	24
2/15/2019 4:00	268	12.95	20	15	22	27	26
2/15/2019 3:00	268.67	13.63	20.5	15	31	25	30
2/15/2019 2:00	277.17	11.87	19.4	15	29	26	25
2/15/2019 1:00	281.17	12.1	18.7	15	16	16	14
2/15/2019 0:00	281.33	10.6	17.25	15	16	10	14

Timestamp	Weather Station Wind Direction (°) (averaged hourly)	Weather Station Wind Speed (mi/hr) (averaged hourly)	Weather Station GUST (mi/hr) (averaged hourly)	E-BAM Plus Station 4 ConcHR ($\mu\text{g}/\text{m}^3$) (averaged hourly)	E-BAM Plus Station 1 ConcHR ($\mu\text{g}/\text{m}^3$) (averaged hourly)	E-BAM Plus Station 3 ConcHR ($\mu\text{g}/\text{m}^3$) (averaged hourly)	E-BAM Plus Station 2 ConcHR ($\mu\text{g}/\text{m}^3$) (averaged hourly)
2/14/2019 23:00	271.83	9.89	16.85	15	13	15	16
2/14/2019 22:00	261.83	8.68	14.15	15	11	14	15
2/14/2019 21:00	259.25	10.73	15.65	15	11	10	12
2/14/2019 20:00	251.08	8.03	12.08	15	14	15	8
2/14/2019 19:00	214.25	8.94	12.41	15	13	17	10
2/14/2019 18:00	205.25	7.97	11.87	15	16	17	17
2/14/2019 17:00	208.08	9.39	13.5	15	29	17	27
2/14/2019 16:00	197.58	9.29	13.91	15	23	16	26
2/14/2019 15:00	194.92	10.53	16.25	15	32	13	32
2/14/2019 14:00	192	12.06	17.75	15	26	16	35
2/14/2019 13:00	198.17	11.46	17.4	15	11	16	21
2/14/2019 12:00	192.67	12.68	18.75	15	42	8	7
2/14/2019 11:00	197.67	12.5	19.25	10	34	5	15
2/14/2019 10:00	186.67	12.78	19.4	4	28	5	17
2/14/2019 9:00	183.17	11.92	17.5	10	7	4	2
2/14/2019 8:00	184.5	11.88	16.9	9	0	15	4
2/14/2019 7:00	184.75	11.24	16	9	1	8	4
2/14/2019 6:00	186.58	10.78	15.55	8	3	3	5
2/14/2019 5:00	193.67	9.8	14.95	3	3	4	2
2/14/2019 4:00	190.33	10.76	16.1	3	6	3	7
2/14/2019 3:00	187.67	11.34	16.8	5	3	5	6
2/14/2019 2:00	185.83	12.21	18.4	3	2	8	5
2/14/2019 1:00	181.25	10.56	16.45	9	7	12	6
2/14/2019 0:00	169.58	7.54	11.01	14	11	12	14
2/13/2019 23:00	170.08	5.88	8.75	14	10	12	13
2/13/2019 22:00	196.83	6.37	9.54	13	12	13	13
2/13/2019 21:00	209.5	7.96	11.08	7	11	14	8
2/13/2019 20:00	210.42	7.79	11.19	10	3	15	14

Timestamp	Weather Station Wind Direction (°) (averaged hourly)	Weather Station Wind Speed (mi/hr) (averaged hourly)	Weather Station GUST (mi/hr) (averaged hourly)	E-BAM Plus Station 4 ConcHR ($\mu\text{g}/\text{m}^3$) (averaged hourly)	E-BAM Plus Station 1 ConcHR ($\mu\text{g}/\text{m}^3$) (averaged hourly)	E-BAM Plus Station 3 ConcHR ($\mu\text{g}/\text{m}^3$) (averaged hourly)	E-BAM Plus Station 2 ConcHR ($\mu\text{g}/\text{m}^3$) (averaged hourly)
2/13/2019 19:00	218.83	8.5	12.32	17	16	18	14
2/13/2019 18:00	224.92	10.43	15.8	15	25	27	13
2/13/2019 17:00	236.75	10.85	17	12	18	27	13
2/13/2019 16:00	244.42	11.19	16.4	15	16	35	14
2/13/2019 15:00	249	12.54	18	19	15	34	35
2/13/2019 14:00	246.67	14.38	20.85	21	13	23	61
2/13/2019 13:00	248.92	15.53	22.68	16	10	21	23
2/13/2019 12:00	252.25	16.34	23.18	20	13	27	26
2/13/2019 11:00	253.83	16.59	23.73	14	7	20	21
2/13/2019 10:00	258.33	15.64	23.73	13	9	14	11
2/13/2019 9:00	260.67	14.48	22.24	10	13	8	7
2/13/2019 8:00	260.67	13.3	21.2	15	11	9	13
2/13/2019 7:00	261.67	14.08	22.73	15	5	11	13
2/13/2019 6:00	259.67	13.52	22.89	15	11	10	8
2/13/2019 5:00	261.67	13.37	22.04	16	12	8	12
2/13/2019 4:00	264	12.68	21.82	20	17	17	15
2/13/2019 3:00	264.42	13.11	22.13	12	23	19	18
2/13/2019 2:00	260.75	16.07	26.52	12	15	16	12
2/13/2019 1:00	258.42	17.48	27.57	8	8	15	12
2/13/2019 0:00	258.42	17.93	29.5	8	16	21	21
2/12/2019 23:00	258.08	18.55	29.2	8	15	13	13
2/12/2019 22:00	257.25	17.57	27.97	8	5	8	13
2/12/2019 21:00	260.92	16.82	28.07	7	14	6	7
2/12/2019 20:00	259.83	16.93	27.62	10	5	13	10
2/12/2019 19:00	259.75	16.57	25.79	11	0	10	7
2/12/2019 18:00	259.5	17.32	26.63	10	11	17	13
2/12/2019 17:00	256.5	17.02	25.93	12	12	13	18
2/12/2019 16:00	256.67	16.78	25.25	15	9	38	30

Timestamp	Weather Station WInd Direction (°) (averaged hourly)	Weather Station Wind Speed (mi/hr) (averaged hourly)	Weather Station GUST (mi/hr) (averaged hourly)	E-BAM Plus Station 4 ConcHR ($\mu\text{g}/\text{m}^3$) (averaged hourly)	E-BAM Plus Station 1 ConcHR ($\mu\text{g}/\text{m}^3$) (averaged hourly)	E-BAM Plus Station 3 ConcHR ($\mu\text{g}/\text{m}^3$) (averaged hourly)	E-BAM Plus Station 2 ConcHR ($\mu\text{g}/\text{m}^3$) (averaged hourly)
2/12/2019 15:00	256.33	16.91	25.29	14	8	20	19
2/12/2019 14:00	255.83	13.73	21.45	14	9	43	9
2/12/2019 13:00	258.33	12.57	18.3	19	9	55	25
2/12/2019 12:00	246.25	10.78	16.62	21	10	54	38
2/12/2019 11:00	252.92	2.87	4.45	22	12	21	25
2/12/2019 10:00	237.83	0.6	0.6	8	13	8	9
2/12/2019 9:00	194.58	0.6	0.6	5	10	12	-1
2/12/2019 8:00	149.42	0.6	0.6	6	2	15	4
2/12/2019 7:00	120	0.6	0.6	7	6	10	8
2/12/2019 6:00	96.08	0.6	0.6	4	4	5	4
2/12/2019 5:00	118.08	0.6	0.6	8	7	11	6
2/12/2019 4:00	75.33	0.6	0.6	13	11	12	9
2/12/2019 3:00	65	0.6	0.6	14	14	14	17
2/12/2019 2:00	65	0.6	0.6	15	16	22	21
2/12/2019 1:00	66.67	0.6	0.6	27	15	19	19
2/12/2019 0:00	77.67	0.6	0.6	27	26	19	20
2/11/2019 23:00	85.33	0.6	0.6	22	19	27	24
2/11/2019 22:00	92.83	1.68	3.03	26	23	33	26
2/11/2019 21:00	83.92	10.18	15.6	29	19	23	25
2/11/2019 20:00	88.25	10.48	15.9	21	24	24	28
2/11/2019 19:00	75.92	9.88	14.9	20	14	20	20
2/11/2019 18:00	73.33	10.86	16.55	15	19	20	11
2/11/2019 17:00	66.58	10.81	16	20	13	14	13
2/11/2019 16:00	63.25	9.61	14.8	13	19	15	18
2/11/2019 15:00	64.08	9.34	14.45	17	18	19	15
2/11/2019 14:00	67.92	9.31	13.66	21	19	19	15
2/11/2019 13:00	61.17	8.47	12.42	15	13	19	18
2/11/2019 12:00	61.75	8.87	12.8	17	17	13	19

Timestamp	Weather Station Wind Direction (°) (averaged hourly)	Weather Station Wind Speed (mi/hr) (averaged hourly)	Weather Station GUST (mi/hr) (averaged hourly)	E-BAM Plus Station 4 ConcHR ($\mu\text{g}/\text{m}^3$) (averaged hourly)	E-BAM Plus Station 1 ConcHR ($\mu\text{g}/\text{m}^3$) (averaged hourly)	E-BAM Plus Station 3 ConcHR ($\mu\text{g}/\text{m}^3$) (averaged hourly)	E-BAM Plus Station 2 ConcHR ($\mu\text{g}/\text{m}^3$) (averaged hourly)
2/11/2019 11:00	55.42	9.22	13.35	17	17	14	15
2/11/2019 10:00	66.5	9.09	13.4	19	22	15	16
2/11/2019 9:00	70.58	9.05	13.8	16	23	10	12
2/11/2019 8:00	54.92	8.88	13.15	20	25	15	20
2/11/2019 7:00	44.83	8.01	11.88	20	14	18	17
2/11/2019 6:00	24.25	5.37	7.5	20	25	24	20
2/11/2019 5:00	16.92	5.17	6.8	19	21	19	19
2/11/2019 4:00	11.08	4.14	5.65	23	27	24	24
2/11/2019 3:00	22.17	3	4.25	26	25	25	22
2/11/2019 2:00	83.5	1.48	2.1	22	19	19	16
2/11/2019 1:00	117.83	1.45	2.1	16	14	22	14
2/11/2019 0:00	74.75	2.3	3.25	14	19	21	17
2/10/2019 23:00	108.67	2.27	3.4	20	15	25	18
2/10/2019 22:00	97.25	2.3	3.4	20	20	27	16
2/10/2019 21:00	83	2.29	3.65	22	19	34	22
2/10/2019 20:00	111.58	3.43	5.05	22	16	38	21
2/10/2019 19:00	122.42	4.11	6.25	16	16	32	20
2/10/2019 18:00	121.42	4.45	6.9	13	18	22	22
2/10/2019 17:00	119.08	5.65	8.3	16	12	20	13
2/10/2019 16:00	118.83	5.42	8.05	17	14	27	17
2/10/2019 15:00	115.5	5.02	7.35	22	17	29	22
2/10/2019 14:00	134.33	3.79	5.8	18	17	20	24
2/10/2019 13:00	166.92	7.58	11.79	16	11	20	16
2/10/2019 12:00	155.5	9.43	14.4	8	13	18	17
2/10/2019 11:00	156.25	7.54	11.15	9	13	19	12
2/10/2019 10:00	126.83	7.79	12.67	9	10	19	13
2/10/2019 9:00	127.17	6.78	11.24	15	14	16	15
2/10/2019 8:00	131.33	4.83	7.84	15	17	25	14

Timestamp	Weather Station WInd Direction (°) (averaged hourly)	Weather Station Wind Speed (mi/hr) (averaged hourly)	Weather Station GUST (mi/hr) (averaged hourly)	E-BAM Plus Station 4 ConcHR ($\mu\text{g}/\text{m}^3$) (averaged hourly)	E-BAM Plus Station 1 ConcHR ($\mu\text{g}/\text{m}^3$) (averaged hourly)	E-BAM Plus Station 3 ConcHR ($\mu\text{g}/\text{m}^3$) (averaged hourly)	E-BAM Plus Station 2 ConcHR ($\mu\text{g}/\text{m}^3$) (averaged hourly)
2/10/2019 7:00	140.42	4.73	7.43	10	12	28	11
2/10/2019 6:00	140.25	7.36	11.84	13	12	26	10
2/10/2019 5:00	141.92	6.76	10.27	10	15	32	11
2/10/2019 4:00	134.08	5.34	8.7	13	12	36	11
2/10/2019 3:00	126	6.02	9.39	11	12	27	16
2/10/2019 2:00	118.17	5.24	8.1	11	10	22	8
2/10/2019 1:00	151.17	4.61	7.8	13	7	20	9
2/10/2019 0:00	148.67	7.63	12.77	16	19	15	17
2/9/2019 23:00	134.75	6.01	9.33	13	18	15	13
2/9/2019 22:00	137	4.21	6.6	16	11	21	20
2/9/2019 21:00	118.92	3.92	5.9	18	17	18	11
2/9/2019 20:00	75.75	5.38	7.75	19	17	19	16
2/9/2019 19:00	85.08	4.12	6.3	23	18	22	18
2/9/2019 18:00	69.5	5.05	7.05	19	17	15	17
2/9/2019 17:00	70.58	5.47	7.55	12	15	8	11
2/9/2019 16:00	53.58	6.5	9.1	16	17	18	11
2/9/2019 15:00	53.58	6.23	9	13	15	11	13
2/9/2019 14:00	70.25	5.31	8.55	4	16	16	7
2/9/2019 13:00	130.58	5.21	9.29	15	6	18	16
2/9/2019 12:00	146.92	4.65	8.69	18	20	18	17
2/9/2019 11:00	187.75	4.1	7.4	14	12	14	15
2/9/2019 10:00	234.5	4.58	6.75	11	19	11	16
2/9/2019 9:00	260	4.97	7.2	9	14	9	12
2/9/2019 8:00	279.33	4.24	6.1	11	16	13	15
2/9/2019 7:00	290.08	3.61	5.25	10	9	11	14
2/9/2019 6:00	326.75	3.48	4.95	10	9	7	11
2/9/2019 5:00	296.25	3.77	5.35	11	8	10	6
2/9/2019 4:00	311.83	5.69	8.58	8	7	5	7

Timestamp	Weather Station Wind Direction (°) (averaged hourly)	Weather Station Wind Speed (mi/hr) (averaged hourly)	Weather Station GUST (mi/hr) (averaged hourly)	E-BAM Plus Station 4 ConcHR ($\mu\text{g}/\text{m}^3$) (averaged hourly)	E-BAM Plus Station 1 ConcHR ($\mu\text{g}/\text{m}^3$) (averaged hourly)	E-BAM Plus Station 3 ConcHR ($\mu\text{g}/\text{m}^3$) (averaged hourly)	E-BAM Plus Station 2 ConcHR ($\mu\text{g}/\text{m}^3$) (averaged hourly)
2/9/2019 3:00	291.67	5.5	8.2	10	9	9	7
2/9/2019 2:00	285.83	6.36	10.01	4	3	3	6
2/9/2019 1:00	280.75	6.58	10.61	5	7	5	4
2/9/2019 0:00	275	6.94	10.71	9	7	9	10
2/8/2019 23:00	266.83	8.47	13.95	9	11	8	7
2/8/2019 22:00	281.25	8.38	12.71	4	6	8	7
2/8/2019 21:00	271.33	8.7	14.31	9	10	9	11
2/8/2019 20:00	270.83	8.61	13.86	10	8	12	10
2/8/2019 19:00	266.42	9.38	14.9	14	10	13	16
2/8/2019 18:00	264.58	10.76	17.35	14	17	19	10
2/8/2019 17:00	267.08	10.88	18.2	33	19	32	15
2/8/2019 16:00	262.75	12.28	19.05	41	22	47	26
2/8/2019 15:00	273.58	12.32	19.69	35	16	39	52
2/8/2019 14:00	267	13.42	21.34	24	16	30	33
2/8/2019 13:00	263	14.88	23.07	42	21	37	31
2/8/2019 12:00	267.83	12.88	21.53	67	33	58	58
2/8/2019 11:00	262.58	15.78	25.04	67	23	53	60
2/8/2019 10:00	261.75	15.48	24.41	120	29	41	68
2/8/2019 9:00	259.58	16.15	25.79	68	27	24	33
2/8/2019 8:00	259.75	17.85	28.2	40	21	20	21
2/8/2019 7:00	258.58	16.62	25.48	41	18	23	31
2/8/2019 6:00	258.33	17.02	27.41	74	25	25	37
2/8/2019 5:00	258.58	19.48	32.1	89	34	28	41
2/8/2019 4:00	257.92	19.89	30.6	84	29	29	45
2/8/2019 3:00	258.25	22.13	34	94	36	35	50
2/8/2019 2:00	258.08	20.58	33.24	127	45	40	51
2/8/2019 1:00	256.83	21.73	34.83	85	32	27	43
2/8/2019 0:00	256.58	21.69	34.13	112	42	39	64

Timestamp	Weather Station WInd Direction (°) (averaged hourly)	Weather Station Wind Speed (mi/hr) (averaged hourly)	Weather Station GUST (mi/hr) (averaged hourly)	E-BAM Plus Station 4 ConcHR ($\mu\text{g}/\text{m}^3$) (averaged hourly)	E-BAM Plus Station 1 ConcHR ($\mu\text{g}/\text{m}^3$) (averaged hourly)	E-BAM Plus Station 3 ConcHR ($\mu\text{g}/\text{m}^3$) (averaged hourly)	E-BAM Plus Station 2 ConcHR ($\mu\text{g}/\text{m}^3$) (averaged hourly)
2/7/2019 23:00	256.17	22.23	35.58	86	35	42	45
2/7/2019 22:00	259.25	19.73	31.21	57	25	25	32
2/7/2019 21:00	259.33	20.63	33.79	20	11	9	10
2/7/2019 20:00	258.17	20.94	33.24	12	9	7	10
2/7/2019 19:00	259.25	21.6	33.29	0	-2	0	3
2/7/2019 18:00	255.5	20.49	30.81	-2	4	3	2
2/7/2019 17:00	258.42	16.55	25.48	-4	4	2	-1
2/7/2019 16:00	264.42	15.4	25.25	4	14	4	6
2/7/2019 15:00	254.33	17.43	27.09	5	32	4	10
2/7/2019 14:00	203.08	10.88	16.8	9	18	7	9
2/7/2019 13:00	163.58	6.86	10.36	4	12	6	6
2/7/2019 12:00	150.33	6.14	9.84	21	22	21	23
2/7/2019 11:00	150.25	5.28	8.78	46	31	44	41
2/7/2019 10:00	89.42	2.28	3.55	28	14	27	21
2/7/2019 9:00	221.58	2.1	3.25	22		18	10
2/7/2019 8:00	185.92	1.76	3.1	7	4	9	15
2/7/2019 7:00	111.75	8.31	12.13	8	0	12	8
2/7/2019 6:00	109.58	9.14	13.42	14	14	16	6
2/7/2019 5:00	156.08	5.72	8.88	15	24	23	23
2/7/2019 4:00	121.83	5.73	8.28	18	14	18	19
2/7/2019 3:00	59.5	4.33	6.6	8	11	16	11
2/7/2019 2:00	66.17	5.21	7.5	4	14	11	8
2/7/2019 1:00	58.42	5.61	8.05	7	0	6	-1
2/7/2019 0:00	64.25	5.07	7.4	6	11	4	3
2/6/2019 23:00	51	6.36	9.24	1	4	2	2
2/6/2019 22:00	57.83	7.27	11.24	1	3	6	9
2/6/2019 21:00	47.92	7.83	11.93	10	18	7	7
2/6/2019 20:00	38.42	7.97	11.78	7	6	15	11

Timestamp	Weather Station WInd Direction (°) (averaged hourly)	Weather Station Wind Speed (mi/hr) (averaged hourly)	Weather Station GUST (mi/hr) (averaged hourly)	E-BAM Plus Station 4 ConcHR ($\mu\text{g}/\text{m}^3$) (averaged hourly)	E-BAM Plus Station 1 ConcHR ($\mu\text{g}/\text{m}^3$) (averaged hourly)	E-BAM Plus Station 3 ConcHR ($\mu\text{g}/\text{m}^3$) (averaged hourly)	E-BAM Plus Station 2 ConcHR ($\mu\text{g}/\text{m}^3$) (averaged hourly)
2/6/2019 19:00	20.58	9.56	13.55	11	3	4	8
2/6/2019 18:00	8.42	8.62	12.7	11	12	7	7
2/6/2019 17:00	20	9.2	12.82	14	21	13	16
2/6/2019 16:00	23	9.5	12.9	21	26	21	22
2/6/2019 15:00	37.75	7.47	10.55	23	15	12	11
2/6/2019 14:00	8.5	7.79	11.25	20	18	19	19
2/6/2019 13:00	40.25	7.06	10.41	25	19	20	29
2/6/2019 12:00	150	3.92	5.95	19	22	27	28
2/6/2019 11:00	46.75	4	5.65	25	16	24	20
2/6/2019 10:00	320.58	4.67	6.85	34	32	37	30
2/6/2019 9:00	269.33	2.85	4.55	25	18	19	21
2/6/2019 8:00	148.17	2.62	3.65	17	9	14	17
2/6/2019 7:00	338.58	1.85	2.4	16	6	8	10
2/6/2019 6:00	304.58	2.16	3.35	6	4	5	8
2/6/2019 5:00	303.67	3.31	4.55	8	8	10	10
2/6/2019 4:00	243	2.73	4.2	12	9	11	9
2/6/2019 3:00	193.33	1.74	2.85	15	11	15	10
2/6/2019 2:00	145.92	2.35	3.8	14	10	13	17
2/6/2019 1:00	178.42	1.23	2.2	10	7	15	8
2/6/2019 0:00	126.67	3.01	5	19	16	16	18
2/5/2019 23:00	77.5	4.02	6.35	24	18	20	14
2/5/2019 22:00	157.33	6.47	10.77	17	19	21	13
2/5/2019 21:00	114	5.8	8.84	15	7	5	6
2/5/2019 20:00	107.83	8.78	13.68	3	0	0	-2
2/5/2019 19:00	75.92	9.57	13.95	4	-3	8	5
2/5/2019 18:00	55.17	9.37	14.11	8	9	4	2
2/5/2019 17:00	47.92	8.4	12.46	13	13	12	7
2/5/2019 16:00	55.67	9.34	14.36	34	61	12	12

Timestamp	Weather Station WInd Direction (°) (averaged hourly)	Weather Station Wind Speed (mi/hr) (averaged hourly)	Weather Station GUST (mi/hr) (averaged hourly)	E-BAM Plus Station 4 ConcHR ($\mu\text{g}/\text{m}^3$) (averaged hourly)	E-BAM Plus Station 1 ConcHR ($\mu\text{g}/\text{m}^3$) (averaged hourly)	E-BAM Plus Station 3 ConcHR ($\mu\text{g}/\text{m}^3$) (averaged hourly)	E-BAM Plus Station 2 ConcHR ($\mu\text{g}/\text{m}^3$) (averaged hourly)
2/5/2019 15:00	59	10.95	16.75	29	110	10	16
2/5/2019 14:00	45.5	10.86	16.35	30	40	10	15
2/5/2019 13:00	47.83	8.88	13.41	35	40	17	17
2/5/2019 12:00	30.33	6.35	9.6	19	81	8	14
2/5/2019 11:00	24.5	6.19	8.7	13	124	9	13
2/5/2019 10:00	39.58	5.97	8.74	27	72	20	24
2/5/2019 9:00	30.67	7.18	10.51	21	18	15	13
2/5/2019 8:00	14.58	8.61	12.57	11	11	6	13
2/5/2019 7:00	20	8.54	12.21	12	11	9	12
2/5/2019 6:00	149.25	6.15	8.91	9	10	10	10
2/5/2019 5:00	313	4.64	7	12	7	17	8
2/5/2019 4:00	285.33	4.84	7.5	10	12	13	6
2/5/2019 3:00	324.5	7.42	11.13	13	14	12	11
2/5/2019 2:00	303.08	7.02	10.74	9	13	11	13
2/5/2019 1:00	305.17	7.16	11.63	9	10	3	6
2/5/2019 0:00	303	7.98	12.77	10	14	9	9
2/4/2019 23:00	279.25	6.06	9.07	7	10	7	6
2/4/2019 22:00	294	7.09	11.65	16	15	8	13
2/4/2019 21:00	279.17	7.43	11.64	10	8	8	7
2/4/2019 20:00	273.75	7.06	11.55	3	8	7	7
2/4/2019 19:00	277	8.47	12.97	15	7	15	13
2/4/2019 18:00	263.83	9.3	14.31	21	17	16	15
2/4/2019 17:00	265.33	11.63	18.15	15	9	25	15
2/4/2019 16:00	251.92	10.17	15.85	16	10	18	18
2/4/2019 15:00	249.92	9.63	14.4	17	22	16	16
2/4/2019 14:00	226.67	10.32	15.45	17	18	14	13
2/4/2019 13:00	211.33	10.72	15.8	15	19	12	13
2/4/2019 12:00	203.83	13	19.55	20	28	15	19

Timestamp	Weather Station Wind Direction (°) (averaged hourly)	Weather Station Wind Speed (mi/hr) (averaged hourly)	Weather Station GUST (mi/hr) (averaged hourly)	E-BAM Plus Station 4 ConcHR ($\mu\text{g}/\text{m}^3$) (averaged hourly)	E-BAM Plus Station 1 ConcHR ($\mu\text{g}/\text{m}^3$) (averaged hourly)	E-BAM Plus Station 3 ConcHR ($\mu\text{g}/\text{m}^3$) (averaged hourly)	E-BAM Plus Station 2 ConcHR ($\mu\text{g}/\text{m}^3$) (averaged hourly)
2/4/2019 11:00	201.17	12.33	18.45	19	25	15	17
2/4/2019 10:00	201.83	13.58	21.5	11	41	10	12
2/4/2019 9:00	192.17	12.97	20.39	14	19	6	7
2/4/2019 8:00	187.67	11.57	18.4	12	9	10	8
2/4/2019 7:00	189.75	11.89	18.5	11	5	13	7
2/4/2019 6:00	191.83	11.75	17.9	7	11	7	5
2/4/2019 5:00	187.75	11.96	17.95	9	8	10	10
2/4/2019 4:00	186.83	11.28	16.75	12	12	12	14
2/4/2019 3:00	189.08	11.24	15.85	10	8	12	8
2/4/2019 2:00	188.83	11.77	17.1	9	11	13	12
2/4/2019 1:00	187.92	11.28	16.15	15	11	10	14
2/4/2019 0:00	176.33	7.95	12.16	11	13	8	10
2/3/2019 23:00	173.33	5.56	7.75	6	9	8	6
2/3/2019 22:00	182.42	6.96	9.98	14	10	12	8
2/3/2019 21:00	180.58	9.61	14.16	14	9	11	15
2/3/2019 20:00	180	8.02	11.63	21	19	26	16
2/3/2019 19:00	187.42	6.43	9	17	11	19	13
2/3/2019 18:00	194.58	6.95	10.1	16	13	15	15
2/3/2019 17:00	195.67	8.47	12.38	10	15	10	9
2/3/2019 16:00	192.67	9.55	14.05	12	13	9	10
2/3/2019 15:00	196.33	10.27	15.3	9	18	10	13
2/3/2019 14:00	204.5	11.61	17.5	12	16	14	16
2/3/2019 13:00	205.33	12.57	18.45	9	8	13	11
2/3/2019 12:00	201.75	11.48	17.2	17	14	17	14
2/3/2019 11:00	204.67	10.48	16.05	14	18	13	15
2/3/2019 10:00	208.42	12.15	18.3	15	13	13	12
2/3/2019 9:00	209	11.78	17.5	8	16	8	9
2/3/2019 8:00	207.75	10.33	15.4	12	15	13	12

Timestamp	Weather Station Wind Direction (°) (averaged hourly)	Weather Station Wind Speed (mi/hr) (averaged hourly)	Weather Station GUST (mi/hr) (averaged hourly)	E-BAM Plus Station 4 ConcHR ($\mu\text{g}/\text{m}^3$) (averaged hourly)	E-BAM Plus Station 1 ConcHR ($\mu\text{g}/\text{m}^3$) (averaged hourly)	E-BAM Plus Station 3 ConcHR ($\mu\text{g}/\text{m}^3$) (averaged hourly)	E-BAM Plus Station 2 ConcHR ($\mu\text{g}/\text{m}^3$) (averaged hourly)
2/3/2019 7:00	201.67	9.18	13.85	9	11	17	17
2/3/2019 6:00	197.42	9.16	13.8	17	13	18	12
2/3/2019 5:00	194.75	10.03	15	15	15	16	16
2/3/2019 4:00	199.17	10.19	15.4	13	15	16	13
2/3/2019 3:00	196.33	10.28	15.4	15	15	17	19
2/3/2019 2:00	194.92	11.91	17.2	17	12	16	15
2/3/2019 1:00	194.42	12.14	18.2	12	7	13	8
2/3/2019 0:00	188.83	10.45	14.75	8	13	10	9
2/2/2019 23:00	191.75	7.03	10.62	9	13	9	12
2/2/2019 22:00	198	9.76	14.7	17	22	16	17
2/2/2019 21:00	194.17	10.68	16.7	28	27	27	25
2/2/2019 20:00	194.5	9.8	15.2	25	30	27	26
2/2/2019 19:00	187.83	10.32	14.65	33	29	30	30
2/2/2019 18:00	186.5	10.29	14.75	27	30	27	29
2/2/2019 17:00	190.17	8.91	13.7	23	30	24	20
2/2/2019 16:00	188.75	9.35	14.05	22	26	29	25
2/2/2019 15:00	196.33	9.44	14	23	25	23	23
2/2/2019 14:00	205.5	9.76	14.35	23	23	21	22
2/2/2019 13:00	213.08	11.86	16.7	16	14	21	24
2/2/2019 12:00	215.67	10.62	15.55	20	28	26	26
2/2/2019 11:00	216.58	12.43	17.65	21	24	23	27
2/2/2019 10:00	218.58	11.85	17.4	23	21	28	26
2/2/2019 9:00	207.92	10.27	14.8	27	26	25	24
2/2/2019 8:00	211.58	10.69	15	31	26	27	25
2/2/2019 7:00	209.83	11.41	16.3	31	25	31	30
2/2/2019 6:00	196	8.47	12.92	36	34	35	33
2/2/2019 5:00	188.25	7.09	10.06	34	33	35	29
2/2/2019 4:00	187.92	7.62	10.5	36	36	30	33

Timestamp	Weather Station Wind Direction (°) (averaged hourly)	Weather Station Wind Speed (mi/hr) (averaged hourly)	Weather Station GUST (mi/hr) (averaged hourly)	E-BAM Plus Station 4 ConcHR ($\mu\text{g}/\text{m}^3$) (averaged hourly)	E-BAM Plus Station 1 ConcHR ($\mu\text{g}/\text{m}^3$) (averaged hourly)	E-BAM Plus Station 3 ConcHR ($\mu\text{g}/\text{m}^3$) (averaged hourly)	E-BAM Plus Station 2 ConcHR ($\mu\text{g}/\text{m}^3$) (averaged hourly)
2/2/2019 3:00	187.58	7.53	10.81	33	30	37	30
2/2/2019 2:00	186.17	7.68	11.15	34	36	34	30
2/2/2019 1:00	186	7.59	10.76	27	27	32	27
2/2/2019 0:00	183.25	6.46	8.85	27	27	23	20
2/1/2019 23:00	179.58	7.64	11.14	29	24	23	23
2/1/2019 22:00	176.33	6.8	9.95	24	24	27	24
2/1/2019 21:00	166.25	6.36	9.25	23	25	26	24
2/1/2019 20:00	170.67	4.29	6.2	28	23	32	26
2/1/2019 19:00	158.83	5.35	7.95	28	27	30	22
2/1/2019 18:00	160.83	5.03	7.3	27	28	24	40
2/1/2019 17:00	156	5.93	8.2	29	35	26	45
2/1/2019 16:00	166.42	5.08	7.4	25	69	30	27
2/1/2019 15:00	162.5	4.71	7.85	23	37	18	12
2/1/2019 14:00	186.58	4.31	7.25	24	29	24	17
2/1/2019 13:00	159.67	5.13	8.2	20	14	18	20
2/1/2019 12:00	150.5	4.25	7.05	24	25	24	19
2/1/2019 11:00	100.75	3.19	5.05	27	30	28	27
2/1/2019 10:00	115.08	4.39	6.6	30	25	21	25
2/1/2019 9:00	118	3.67	5.55	21	19	26	17
2/1/2019 8:00	124.08	3.07	4.7	24	18	19	18
2/1/2019 7:00	98.42	2.77	4.05	16	17	21	20
2/1/2019 6:00	62.33	4.17	5.75	19	15	26	18
2/1/2019 5:00	102.17	3.41	5.15	15	17	25	9
2/1/2019 4:00	120.33	3.33	5.2	14	11	27	14
2/1/2019 3:00	126.42	3.9	6.1	10	8	20	12
2/1/2019 2:00	124.25	3.23	4.85	9	9	23	7
2/1/2019 1:00	120.25	3.06	4.9	6	3	17	9
2/1/2019 0:00	122.67	2.48	3.9	8	8	21	12

Timestamp	Weather Station Wind Direction (°) (averaged hourly)	Weather Station Wind Speed (mi/hr) (averaged hourly)	Weather Station GUST (mi/hr) (averaged hourly)	E-BAM Plus Station 4 ConcHR ($\mu\text{g}/\text{m}^3$) (averaged hourly)	E-BAM Plus Station 1 ConcHR ($\mu\text{g}/\text{m}^3$) (averaged hourly)	E-BAM Plus Station 3 ConcHR ($\mu\text{g}/\text{m}^3$) (averaged hourly)	E-BAM Plus Station 2 ConcHR ($\mu\text{g}/\text{m}^3$) (averaged hourly)
2/28/2019 23:00	291.92	4.35	6.2	11	23	12	9
2/28/2019 22:00	141.42	3.98	6.1	19	25	14	19
2/28/2019 21:00	24.42	5.01	7.05	13	61	10	17
2/28/2019 20:00	19.08	5.44	7.7	6	19	9	9
2/28/2019 19:00	23.08	6.64	8.6	8	4	9	7
2/28/2019 18:00	38.92	5.87	8.35	14	8	14	13
2/28/2019 17:00	47.17	5.29	7.9	14	18	14	16
2/28/2019 16:00	60.83	5.31	7.5	18	29	20	21
2/28/2019 15:00	87.25	3.84	6.4	32	28	23	27
2/28/2019 14:00	104.25	4.89	7.5	48	31	31	32
2/28/2019 13:00	41	6.05	8.7	47	43	48	47
2/28/2019 12:00	99.58	4.49	6.6	56	51	47	54
2/28/2019 11:00	177.08	3.1	5.15	56	31	39	60
2/28/2019 10:00	242.83	3.27	5.55	46	27	36	82
2/28/2019 9:00	296.67	3.73	5.45	29	21	23	33
2/28/2019 8:00	295.17	4.9	6.9	11	15	18	19
2/28/2019 7:00	316.67	5.78	8.35	12	7	10	13
2/28/2019 6:00	306.42	5.67	8.45	10	9	14	15
2/28/2019 5:00	323.08	6.28	9.15	15	14	10	12
2/28/2019 4:00	308.92	4.91	7.6	11	10	10	13
2/28/2019 3:00	313.92	4.59	6.9	11	9	9	12
2/28/2019 2:00	318.83	4.73	6.8	16	12	15	7
2/28/2019 1:00	322.58	5.45	8.1	18	22	21	19
2/28/2019 0:00	320.92	5.89	8.6	20	11	16	15
2/27/2019 23:00	330.83	6.84	9.87	22	20	18	22
2/27/2019 22:00	327.08	8.1	12.19	21	23	18	17
2/27/2019 21:00	327.67	8	12.19	19	17	21	22
2/27/2019 20:00	326.33	8.86	13.28	20	17	19	27

Timestamp	Weather Station Wind Direction (°) (averaged hourly)	Weather Station Wind Speed (mi/hr) (averaged hourly)	Weather Station GUST (mi/hr) (averaged hourly)	E-BAM Plus Station 4 ConcHR ($\mu\text{g}/\text{m}^3$) (averaged hourly)	E-BAM Plus Station 1 ConcHR ($\mu\text{g}/\text{m}^3$) (averaged hourly)	E-BAM Plus Station 3 ConcHR ($\mu\text{g}/\text{m}^3$) (averaged hourly)	E-BAM Plus Station 2 ConcHR ($\mu\text{g}/\text{m}^3$) (averaged hourly)
2/27/2019 19:00	306.92	8.55	13.5	24	19	22	22
2/27/2019 18:00	301.08	8.57	13.6	22	22	26	20
2/27/2019 17:00	304	9.7	15.1	38	31	35	35
2/27/2019 16:00	289.92	8.57	13.81	32	21	33	31
2/27/2019 15:00	282.33	8.07	12.18	47	17	33	41
2/27/2019 14:00	278.08	6.92	10.72	61	32	40	50
2/27/2019 13:00	309.92	9.85	16.5	61	44	55	89
2/27/2019 12:00	300.42	8.06	12.63	67	46	63	83
2/27/2019 11:00	287.17	6.22	9.49	67	51	65	81
2/27/2019 10:00	277.83	4.31	6.8	41	40	32	49
2/27/2019 9:00	240.33	2.5	3.8	34	62	27	42
2/27/2019 8:00	102.67	2.14	3.65	38	36	36	37
2/27/2019 7:00	39.25	4.06	5.75	29	26	36	31
2/27/2019 6:00	77.5	3.48	5.1	26	23	35	26
2/27/2019 5:00	115	4.47	6.85	23	28	23	25
2/27/2019 4:00	110.33	5.54	8.4	21	21	23	27
2/27/2019 3:00	75.58	5.27	7.85	19	18	16	14
2/27/2019 2:00	83.25	5.49	8.3	14	17	12	15
2/27/2019 1:00	111.92	7.43	11.19	22	17	15	17
2/27/2019 0:00	113.83	7.93	11.69	20	21	20	15
2/26/2019 23:00	109.58	8.06	11.8	19	25	20	16
2/26/2019 22:00	108.5	10.5	15.15	17	15	13	8
2/26/2019 21:00	106.25	9.28	13.61	14	13	12	12
2/26/2019 20:00	71.5	8.93	13.75	10	17	8	9
2/26/2019 19:00	62.08	10.24	15.3	11	15	13	11
2/26/2019 18:00	62.17	10.82	16.65	14	32	16	15
2/26/2019 17:00	61.5	10.58	16	24	52	12	18
2/26/2019 16:00	59.42	9.97	14.7	15	114	9	16

Timestamp	Weather Station WInd Direction (°) (averaged hourly)	Weather Station Wind Speed (mi/hr) (averaged hourly)	Weather Station GUST (mi/hr) (averaged hourly)	E-BAM Plus Station 4 ConcHR ($\mu\text{g}/\text{m}^3$) (averaged hourly)	E-BAM Plus Station 1 ConcHR ($\mu\text{g}/\text{m}^3$) (averaged hourly)	E-BAM Plus Station 3 ConcHR ($\mu\text{g}/\text{m}^3$) (averaged hourly)	E-BAM Plus Station 2 ConcHR ($\mu\text{g}/\text{m}^3$) (averaged hourly)
2/26/2019 15:00	45.33	9.83	14.75	16	102	13	15
2/26/2019 14:00	52.25	8.98	13.05	14	61	10	19
2/26/2019 13:00	65.5	9.37	13.95	10	75	10	15
2/26/2019 12:00	74.25	10.68	15.5	13	276	12	18
2/26/2019 11:00	71.17	10.97	16.75	30	438	15	27
2/26/2019 10:00	30.33	9.83	14.15	42	285	26	36
2/26/2019 9:00	23.08	9.92	14.2	46	50	23	45
2/26/2019 8:00	19.67	10.38	15.25	29	31	23	38
2/26/2019 7:00	7.92	10.41	17.15	15	23	12	17
2/26/2019 6:00	7.58	10.77	15.6	13	9	7	10
2/26/2019 5:00	10.5	9.23	13.7	13	14	16	16
2/26/2019 4:00	11.33	8.66	13	19	19	19	16
2/26/2019 3:00	8.67	9.49	14.06	19	20	11	19
2/26/2019 2:00	11	9.08	13.2	16	8	16	13
2/26/2019 1:00	13.67	7.59	10.81	8	8	10	8
2/26/2019 0:00	16.33	6.66	9.25	12	11	9	16
2/25/2019 23:00	16.25	5.78	7.75	10	14	8	8
2/25/2019 22:00	29.75	5.38	7.65	9	9	8	12
2/25/2019 21:00	53.42	5.33	7.7	14	16	13	12
2/25/2019 20:00	54.67	4.95	7	13	16	11	13
2/25/2019 19:00	25.75	4.68	6.2	16	15	16	19
2/25/2019 18:00	43.83	5.1	7.25	27	17	12	15
2/25/2019 17:00	205.75	3.78	6.05	40	14	25	35
2/25/2019 16:00	278.42	5.66	8.7	31	11	39	63
2/25/2019 15:00	278.67	5.89	9.84	41	10	46	51
2/25/2019 14:00	271.17	6.25	9.6	60	12	40	35
2/25/2019 13:00	267.92	6.45	10.56	36	18	29	37
2/25/2019 12:00	263.33	7.53	11.63	42	11	51	33

Timestamp	Weather Station Wind Direction (°) (averaged hourly)	Weather Station Wind Speed (mi/hr) (averaged hourly)	Weather Station GUST (mi/hr) (averaged hourly)	E-BAM Plus Station 4 ConcHR ($\mu\text{g}/\text{m}^3$) (averaged hourly)	E-BAM Plus Station 1 ConcHR ($\mu\text{g}/\text{m}^3$) (averaged hourly)	E-BAM Plus Station 3 ConcHR ($\mu\text{g}/\text{m}^3$) (averaged hourly)	E-BAM Plus Station 2 ConcHR ($\mu\text{g}/\text{m}^3$) (averaged hourly)
2/25/2019 11:00	265.25	8.38	13.7	54	13	80	46
2/25/2019 10:00	258.75	8.18	12.53	44	13	63	54
2/25/2019 9:00	265.25	8.78	13.8	18	14	23	32
2/25/2019 8:00	270.92	10.12	16	4	9	6	7
2/25/2019 7:00	263.25	11.49	18.6	5	5	7	6
2/25/2019 6:00	265.67	10.25	15.7	8	4	9	7
2/25/2019 5:00	275.08	9.8	14.65	10	8	8	5
2/25/2019 4:00	278.58	11.7	18.5	10	8	14	9
2/25/2019 3:00	267.83	13.57	23.27	11	8	10	10
2/25/2019 2:00	276.75	13.26	23.11	27	9	14	18
2/25/2019 1:00	278.08	14.63	25.95	45	11	21	17
2/25/2019 0:00	274.67	16.34	25.99	32	9	24	17
2/24/2019 23:00	266.5	17.85	30.55	80	23	35	28
2/24/2019 22:00	263.92	17.97	31.7	101	18	45	39
2/24/2019 21:00	262.33	19.88	35.03	99	25	51	45
2/24/2019 20:00	262.83	19.96	33.69	112	22	55	48
2/24/2019 19:00	260.5	22.81	38.49	104	19	62	58
2/24/2019 18:00	260.25	22.34	38.05	35	26	35	47
2/24/2019 17:00	261.25	23.57	41.08	30	26	23	46
2/24/2019 16:00	260	25.07	41.18	27	18	23	35
2/24/2019 15:00	260.17	25.2	42.27	18	11	18	16
2/24/2019 14:00	262.83	23.78	39.48	14	19	13	17
2/24/2019 13:00	263.5	21.52	36.17	17	15	12	24
2/24/2019 12:00	262.92	23.43	39.5	14	14	15	21
2/24/2019 11:00	260.25	23.85	38.85	18	16	17	19
2/24/2019 10:00	261.83	22.16	37.37	12	11	6	9
2/24/2019 9:00	261	23.06	38.21	-1	7	2	-1
2/24/2019 8:00	264.92	19.87	34.24	2	-1	2	5

Timestamp	Weather Station WInd Direction (°) (averaged hourly)	Weather Station Wind Speed (mi/hr) (averaged hourly)	Weather Station GUST (mi/hr) (averaged hourly)	E-BAM Plus Station 4 ConcHR ($\mu\text{g}/\text{m}^3$) (averaged hourly)	E-BAM Plus Station 1 ConcHR ($\mu\text{g}/\text{m}^3$) (averaged hourly)	E-BAM Plus Station 3 ConcHR ($\mu\text{g}/\text{m}^3$) (averaged hourly)	E-BAM Plus Station 2 ConcHR ($\mu\text{g}/\text{m}^3$) (averaged hourly)
2/24/2019 7:00	260.08	22.04	36.77	7	1	4	4
2/24/2019 6:00	257	25.62	40.2	10	3	8	3
2/24/2019 5:00	244	23.54	37.06	5	8	0	5
2/24/2019 4:00	231.5	15.38	24.26	7	6	4	3
2/24/2019 3:00	207.58	10.8	16.31	14	7	10	8
2/24/2019 2:00	185.67	7.34	10.28	8	5	7	14
2/24/2019 1:00	198	8.67	13.05	3	-1	1	-1
2/24/2019 0:00	215.75	11.57	18.08	6	2	4	6
2/23/2019 23:00	172.17	15.44	23.93	13	14	10	13
2/23/2019 22:00	150.08	12.53	20.65	12	18	15	15
2/23/2019 21:00	136.67	10.25	17.26	23	22	16	19
2/23/2019 20:00	126.92	7.29	11.64	25	20	29	26
2/23/2019 19:00	121.42	7.55	11.39	27	26	28	27
2/23/2019 18:00	124.92	5.08	8.09	30	24	23	22
2/23/2019 17:00	127.42	6.59	11.05	17	15	17	7
2/23/2019 16:00	109.83	5.25	7.59	18	17	19	17
2/23/2019 15:00	113.08	9.29	13.4	16	17	18	16
2/23/2019 14:00	93	6.07	9.53	24	33	25	22
2/23/2019 13:00	50.17	7	10.09	33	24	29	24
2/23/2019 12:00	277.92	4.36	6.65	39	43	36	39
2/23/2019 11:00	231.08	3.79	6.33	34	28	28	36
2/23/2019 10:00	145	8.98	14.02	24	29	31	31
2/23/2019 9:00	133.75	8.28	13.31	28	30	34	27
2/23/2019 8:00	128.67	7.28	12.13	26	28	41	30
2/23/2019 7:00	115.5	8.57	12.68	25	23	30	23
2/23/2019 6:00	117.58	6.88	10.13	30	26	39	27
2/23/2019 5:00	117.75	7.31	11.39	28	32	34	30
2/23/2019 4:00	114.75	8.64	12.95	25	25	28	25

Timestamp	Weather Station Wind Direction (°) (averaged hourly)	Weather Station Wind Speed (mi/hr) (averaged hourly)	Weather Station GUST (mi/hr) (averaged hourly)	E-BAM Plus Station 4 ConcHR ($\mu\text{g}/\text{m}^3$) (averaged hourly)	E-BAM Plus Station 1 ConcHR ($\mu\text{g}/\text{m}^3$) (averaged hourly)	E-BAM Plus Station 3 ConcHR ($\mu\text{g}/\text{m}^3$) (averaged hourly)	E-BAM Plus Station 2 ConcHR ($\mu\text{g}/\text{m}^3$) (averaged hourly)
2/23/2019 3:00	118.17	7.87	11.83	28	28	37	27
2/23/2019 2:00	114.5	8.16	12.57	35	35	32	30
2/23/2019 1:00	117.25	7.24	11.79	39	30	42	38
2/23/2019 0:00	110.83	9.29	13.25	33	38	45	38
2/22/2019 23:00	108.58	7.72	11.47	27	28	37	24
2/22/2019 22:00	103.67	5.14	8.34	21	21	28	17
2/22/2019 21:00	71.5	6.04	9.37	22	19	21	21
2/22/2019 20:00	65.08	7.58	11.88	28	25	26	18
2/22/2019 19:00	58.5	7.1	10.46	30	32	23	27
2/22/2019 18:00	39.67	6.94	10.13	27	32	24	21
2/22/2019 17:00	37.92	7.22	10.38	46	46	20	30
2/22/2019 16:00	41.08	7.84	10.71	41	213	27	44
2/22/2019 15:00	33.67	8.5	11.44	52	210	47	63
2/22/2019 14:00	31.42	7.3	10.03	63	211	42	60
2/22/2019 13:00	28.08	7.54	10.2	51	247	50	67
2/22/2019 12:00	29.25	6.97	9.6	40	67	41	48
2/22/2019 11:00	58.25	5.62	8.8	25	39	32	37
2/22/2019 10:00	119.58	7.29	11.09	33	92	26	26
2/22/2019 9:00	95.83	7.28	10.9	49	37	34	28
2/22/2019 8:00	31.17	5.9	8.55	35	32	37	30
2/22/2019 7:00	95.17	4.18	6.3	27	29	30	30
2/22/2019 6:00	280	3.9	5.9	29	26	35	29
2/22/2019 5:00	288	3.88	6	30	33	29	30
2/22/2019 4:00	343.17	4.03	5.7	35	35	39	30
2/22/2019 3:00	328.58	2.76	3.9	34	38	40	41
2/22/2019 2:00	329.58	3.69	5.15	39	36	33	32
2/22/2019 1:00	318.75	4.08	5.55	34	34	35	31
2/22/2019 0:00	316.67	3.54	4.75	27	32	29	25

Timestamp	Weather Station Wind Direction (°) (averaged hourly)	Weather Station Wind Speed (mi/hr) (averaged hourly)	Weather Station GUST (mi/hr) (averaged hourly)	E-BAM Plus Station 4 ConcHR ($\mu\text{g}/\text{m}^3$) (averaged hourly)	E-BAM Plus Station 1 ConcHR ($\mu\text{g}/\text{m}^3$) (averaged hourly)	E-BAM Plus Station 3 ConcHR ($\mu\text{g}/\text{m}^3$) (averaged hourly)	E-BAM Plus Station 2 ConcHR ($\mu\text{g}/\text{m}^3$) (averaged hourly)
2/21/2019 23:00	291.83	2.98	4.3	26	22	26	21
2/21/2019 22:00	276.08	3.3	4.95	22	22	20	27
2/21/2019 21:00	262.25	3.36	5.25	26	24	24	23
2/21/2019 20:00	265.83	4.95	7.6	19	16	27	23
2/21/2019 19:00	257.92	7.97	10.9	22	18	27	24
2/21/2019 18:00	258.92	8.01	11.73	25	21	25	21
2/21/2019 17:00	257.75	8.86	12.7	41	26	32	33
2/21/2019 16:00	253.75	9.67	13.5	41	21	34	41
2/21/2019 15:00	258.42	9.43	14.55	55	20	38	51
2/21/2019 14:00	262.42	9.18	13.75	50	16	31	29
2/21/2019 13:00	267.17	9.16	14.12	38	13	25	25
2/21/2019 12:00	261.33	10.72	16.7	32	24	27	25
2/21/2019 11:00	261	11.86	18.55	26	24	29	25
2/21/2019 10:00	260.75	11.11	17.1	24	20	29	28
2/21/2019 9:00	270.92	9.72	15.5	22	25	18	17
2/21/2019 8:00	266.33	9.28	14.71	19	19	17	20
2/21/2019 7:00	257.25	8.95	13	19	14	17	17
2/21/2019 6:00	256.08	9.32	14.55	24	17	20	13
2/21/2019 5:00	250.08	8.62	13.55	16	10	11	13
2/21/2019 4:00	251.5	10.93	17.05	14	15	13	14
2/21/2019 3:00	255	12.68	19.15	9	16	11	7
2/21/2019 2:00	257.5	14.32	22.14	10	6	11	5
2/21/2019 1:00	255.83	14.72	22.74	6	3	6	3
2/21/2019 0:00	254.75	15.72	24.44	5	3	13	7
2/20/2019 23:00	256.75	16.23	24.85	6	8	9	3
2/20/2019 22:00	247.67	14.09	22.42	10	4	7	7
2/20/2019 21:00	244.83	14.22	22.03	9	7	9	10
2/20/2019 20:00	247.08	15.33	23.27	11	5	11	12

Timestamp	Weather Station Wind Direction (°) (averaged hourly)	Weather Station Wind Speed (mi/hr) (averaged hourly)	Weather Station GUST (mi/hr) (averaged hourly)	E-BAM Plus Station 4 ConcHR ($\mu\text{g}/\text{m}^3$) (averaged hourly)	E-BAM Plus Station 1 ConcHR ($\mu\text{g}/\text{m}^3$) (averaged hourly)	E-BAM Plus Station 3 ConcHR ($\mu\text{g}/\text{m}^3$) (averaged hourly)	E-BAM Plus Station 2 ConcHR ($\mu\text{g}/\text{m}^3$) (averaged hourly)
2/20/2019 19:00	246.17	13.99	21.29	5	-1	8	9
2/20/2019 18:00	241.17	11.66	18.15	1	5	5	0
2/20/2019 17:00	241.33	11.78	19.45	9	4	6	1
2/20/2019 16:00	218.5	12.32	18.8	8	11	10	6
2/20/2019 15:00	194.17	11.3	17.3	5	23	13	5
2/20/2019 14:00	173.83	10.76	16.9	13	21	22	12
2/20/2019 13:00	153.42	10.78	16.65	18	15	18	11
2/20/2019 12:00	140.67	10.46	17.15	15	16	12	18
2/20/2019 11:00	131.25	10.09	16.9	25	21	23	25
2/20/2019 10:00	124.5	10.07	16.65	26	22	23	25
2/20/2019 9:00	109.58	11.13	16.71	21	23	19	12
2/20/2019 8:00	111.17	13.99	21.69	21	18	33	15
2/20/2019 7:00	108.92	14.78	21.78	24	21	20	23
2/20/2019 6:00	106.67	11.07	16.6	26	28	31	26
2/20/2019 5:00	108	11.13	16.45	24	25	21	22
2/20/2019 4:00	105.67	10.49	15.45	20	16	25	20
2/20/2019 3:00	106.33	11.03	16.25	22	18	23	17
2/20/2019 2:00	108.08	10.33	15.51	20	21	27	20
2/20/2019 1:00	107.67	10.29	14.7	18	18	18	11
2/20/2019 0:00	108.83	7.63	11.38	13	15	18	13
2/19/2019 23:00	107.75	7.81	11.55	12	6	16	17
2/19/2019 22:00	111.33	9.65	13.9	12	12	16	15
2/19/2019 21:00	113.92	9.81	14.15	22	15	26	21
2/19/2019 20:00	108.92	8.85	12.52	22	18	22	19
2/19/2019 19:00	77.25	5.45	7.85	17	12	13	12
2/19/2019 18:00	71.08	4.83	6.8	23	20	9	12
2/19/2019 17:00	56.5	6.33	8.95	26	26	23	18
2/19/2019 16:00	55.58	7.38	10.41		22	27	22

Timestamp	Weather Station Wind Direction (°) (averaged hourly)	Weather Station Wind Speed (mi/hr) (averaged hourly)	Weather Station GUST (mi/hr) (averaged hourly)	E-BAM Plus Station 4 ConcHR ($\mu\text{g}/\text{m}^3$) (averaged hourly)	E-BAM Plus Station 1 ConcHR ($\mu\text{g}/\text{m}^3$) (averaged hourly)	E-BAM Plus Station 3 ConcHR ($\mu\text{g}/\text{m}^3$) (averaged hourly)	E-BAM Plus Station 2 ConcHR ($\mu\text{g}/\text{m}^3$) (averaged hourly)
2/19/2019 15:00	132.42	5.67	9.53			8	23
2/19/2019 14:00	171.92	4.09	7.69				
2/19/2019 13:00	169.5	3.63	6.05				
2/19/2019 12:00	170.83	5.1	9.05		25	26	31
2/19/2019 11:00	175.5	7.01	10.48	32	26	44	28
2/19/2019 10:00	180.25	4.74	7.34	31	31	32	35
2/19/2019 9:00	162.92	2.19	3.4	27	27	30	35
2/19/2019 8:00	226.08	1.69	2.65	31	27	26	22
2/19/2019 7:00	278.17	2.1	3.15	28	24	25	24
2/19/2019 6:00	285.42	2.51	3.6	25	20	25	20
2/19/2019 5:00	264.5	3.53	4.85	21	23	28	22
2/19/2019 4:00	283	2.25	3.35	18	20	18	13
2/19/2019 3:00	297.08	3.02	4.25	21	21	20	19
2/19/2019 2:00	306.25	3.45	4.8	22	26	24	19
2/19/2019 1:00	302.58	3.09	4.35	14	15	14	16
2/19/2019 0:00	311.67	3.88	5.55	11	12	15	13
2/18/2019 23:00	278.17	2.59	3.55	11	11	12	10
2/18/2019 22:00	270.92	2.64	3.4	20	8	24	10
2/18/2019 21:00	307.5	2.07	2.8	21	9	21	4
2/18/2019 20:00	133.92	2.44	3.4	38	5	39	14
2/18/2019 19:00	92.17	3.45	4.9	26	-3	24	9
2/18/2019 18:00	10.92	5.01	7.8	27	18	21	19
2/18/2019 17:00	12.08	8.11	11.54	34	18	29	23
2/18/2019 16:00	13.58	8.39	11.97	19	11	18	13
2/18/2019 15:00	45.42	7.59	10.81	16	8	13	12
2/18/2019 14:00	10	8.39	12.57	11	1	8	4
2/18/2019 13:00	10.58	8.48	12.82	16	1	11	14
2/18/2019 12:00	10	9.48	13.75	10	6	13	10

Timestamp	Weather Station WInd Direction (°) (averaged hourly)	Weather Station Wind Speed (mi/hr) (averaged hourly)	Weather Station GUST (mi/hr) (averaged hourly)	E-BAM Plus Station 4 ConcHR ($\mu\text{g}/\text{m}^3$) (averaged hourly)	E-BAM Plus Station 1 ConcHR ($\mu\text{g}/\text{m}^3$) (averaged hourly)	E-BAM Plus Station 3 ConcHR ($\mu\text{g}/\text{m}^3$) (averaged hourly)	E-BAM Plus Station 2 ConcHR ($\mu\text{g}/\text{m}^3$) (averaged hourly)
2/18/2019 11:00	6.17	9.73	14.4	16	12	14	10
2/18/2019 10:00	39	8.82	13.71	18	15	14	8
2/18/2019 9:00	324.08	6.81	9.93	13	15	9	10
2/18/2019 8:00	310.67	4.17	5.99	6	4	12	8
2/18/2019 7:00	188.75	2.97	4.2	9	5	8	8
2/18/2019 6:00	32.17	5.52	8.39	13	10	8	9
2/18/2019 5:00	20.67	6.93	9.25	10	7	11	10
2/18/2019 4:00	22.75	7.5	10.18	9	10	8	9
2/18/2019 3:00	31.25	5.1	7.3	12	12	6	9
2/18/2019 2:00	54.58	4.41	6.5	9	4	8	6
2/18/2019 1:00	48.5	4.78	6.75	6	8	5	4
2/18/2019 0:00	37.42	4.78	7.1	7	12	12	10
2/17/2019 23:00	69.58	4.62	6.85	5	9	11	12
2/17/2019 22:00	85.83	4.33	6.55	12	9	16	12
2/17/2019 21:00	102.5	3.21	4.85	15	11	16	15
2/17/2019 20:00	89.75	3.57	5.35	8	14	12	12
2/17/2019 19:00	91.92	4.11	6.25	9	6	5	11
2/17/2019 18:00	59.33	5.62	8.45	4	7	7	8
2/17/2019 17:00	60	6.8	10.57	4	12	5	4
2/17/2019 16:00	42.08	6.21	9.33	6	12	7	2
2/17/2019 15:00	55.58	6.86	9.94	5	7	7	9
2/17/2019 14:00	65.42	7.93	11.82	13	7	15	10
2/17/2019 13:00	77.08	8.45	13.21	14	9	15	13
2/17/2019 12:00	83.33	6.92	10.99	17	23	21	16
2/17/2019 11:00	98.25	7.78	11.63	15	16	19	19
2/17/2019 10:00	92.08	9.07	13.76	14	20	13	17
2/17/2019 9:00	105.67	10.63	16.25	12	16	12	12
2/17/2019 8:00	110.83	11.81	18	19	24	33	17

Timestamp	Weather Station Wind Direction (°) (averaged hourly)	Weather Station Wind Speed (mi/hr) (averaged hourly)	Weather Station GUST (mi/hr) (averaged hourly)	E-BAM Plus Station 4 ConcHR ($\mu\text{g}/\text{m}^3$) (averaged hourly)	E-BAM Plus Station 1 ConcHR ($\mu\text{g}/\text{m}^3$) (averaged hourly)	E-BAM Plus Station 3 ConcHR ($\mu\text{g}/\text{m}^3$) (averaged hourly)	E-BAM Plus Station 2 ConcHR ($\mu\text{g}/\text{m}^3$) (averaged hourly)
2/17/2019 7:00	114.42	10.59	15.4	11	12	26	20
2/17/2019 6:00	109.17	9.44	14.01	11	15	25	14
2/17/2019 5:00	107.75	8.65	13.22	8	15	21	13
2/17/2019 4:00	104.17	7.41	11.26	6	11	18	12
2/17/2019 3:00	120.08	8.4	13.15	13	8	19	11
2/17/2019 2:00	114.08	9.53	14.65	15	22	25	11
2/17/2019 1:00	120.25	8.6	13.76	14	16	19	14
2/17/2019 0:00	116.42	11.39	16.4	20	17	24	15
2/16/2019 23:00	107.33	9.34	14.3	16	18	19	11
2/16/2019 22:00	99.42	8.69	13.85	5	7	9	8
2/16/2019 21:00	88.17	8.97	13.51	10	8	7	9
2/16/2019 20:00	66.17	7.75	12.07	8	7	5	5
2/16/2019 19:00	55.75	7.82	11.97	7	15	2	1
2/16/2019 18:00	50.25	7.09	10.79	6	11	3	5
2/16/2019 17:00	46.08	8.46	12.71	0	11	7	2
2/16/2019 16:00	62.92	9.44	14.2	3	10	7	4
2/16/2019 15:00	79.25	8.71	13.06	1	13	2	1
2/16/2019 14:00	77.83	9.71	14.4	4	4	7	-1
2/16/2019 13:00	72.5	8.41	12.31	12	9	11	8
2/16/2019 12:00	58.58	7.71	11.38	25	21	23	25
2/16/2019 11:00	37	6.7	9.73	29	30	28	31
2/16/2019 10:00	300.83	5.66	8.44	23	28	26	20
2/16/2019 9:00	320.25	4.58	6.6	21	22	18	18
2/16/2019 8:00	308.92	4	5.8	19	26	21	19
2/16/2019 7:00	313.67	4.36	6.1	16	14	16	18
2/16/2019 6:00	306.58	4.37	6.65	16	15	15	15
2/16/2019 5:00	297.17	4.79	7.05	15	19	18	19
2/16/2019 4:00	285.17	5.19	7.5	18	14	19	17

Timestamp	Weather Station Wind Direction (°) (averaged hourly)	Weather Station Wind Speed (mi/hr) (averaged hourly)	Weather Station GUST (mi/hr) (averaged hourly)	E-BAM Plus Station 4 ConcHR ($\mu\text{g}/\text{m}^3$) (averaged hourly)	E-BAM Plus Station 1 ConcHR ($\mu\text{g}/\text{m}^3$) (averaged hourly)	E-BAM Plus Station 3 ConcHR ($\mu\text{g}/\text{m}^3$) (averaged hourly)	E-BAM Plus Station 2 ConcHR ($\mu\text{g}/\text{m}^3$) (averaged hourly)
2/16/2019 3:00	278.17	5.13	7.3	20	20	19	18
2/16/2019 2:00	299.83	7.11	10.71	17	17	18	11
2/16/2019 1:00	317.58	7.79	11.47	15	15	18	19
2/16/2019 0:00	324.58	8.07	11.57	18	18	20	16
2/15/2019 23:00	317.75	6.78	10.07	21	21	21	19
2/15/2019 22:00	322.33	6.04	8.7	24	27	29	31
2/15/2019 21:00	320.67	5.51	8.1	27	28	25	25
2/15/2019 20:00	303.58	4.93	7.4	25	23	25	23
2/15/2019 19:00	308.5	4.57	7	18	19	22	18
2/15/2019 18:00	293.42	4.7	7.3	17	18	14	12
2/15/2019 17:00	304.08	6.53	10.14	22	25	36	28
2/15/2019 16:00	269.5	7.57	11.99	29	22	54	58
2/15/2019 15:00	258.33	12.3	17.35	30	18	51	41
2/15/2019 14:00	257.92	11.96	17.45	24	23	39	34
2/15/2019 13:00	261.25	11.07	17.35	48	18	36	32
2/15/2019 12:00	262.67	12.07	18.3	48	18	36	23
2/15/2019 11:00	267.58	11.57	17.75	51	19	31	22
2/15/2019 10:00	265.33	11.69	17.8	21	18	18	13
2/15/2019 9:00	268.58	10.66	16.8	21	15	9	15
2/15/2019 8:00	279.33	9.94	14.55	19	18	13	17
2/15/2019 7:00	276.92	8.57	13.96	21	12	15	13
2/15/2019 6:00	279.42	9.85	16.2	21	15	18	20
2/15/2019 5:00	266.42	13.68	21.39	15	17	24	24
2/15/2019 4:00	268	12.95	20	15	22	27	26
2/15/2019 3:00	268.67	13.63	20.5	15	31	25	30
2/15/2019 2:00	277.17	11.87	19.4	15	29	26	25
2/15/2019 1:00	281.17	12.1	18.7	15	16	16	14
2/15/2019 0:00	281.33	10.6	17.25	15	16	10	14

Timestamp	Weather Station Wind Direction (°) (averaged hourly)	Weather Station Wind Speed (mi/hr) (averaged hourly)	Weather Station GUST (mi/hr) (averaged hourly)	E-BAM Plus Station 4 ConcHR ($\mu\text{g}/\text{m}^3$) (averaged hourly)	E-BAM Plus Station 1 ConcHR ($\mu\text{g}/\text{m}^3$) (averaged hourly)	E-BAM Plus Station 3 ConcHR ($\mu\text{g}/\text{m}^3$) (averaged hourly)	E-BAM Plus Station 2 ConcHR ($\mu\text{g}/\text{m}^3$) (averaged hourly)
2/14/2019 23:00	271.83	9.89	16.85	15	13	15	16
2/14/2019 22:00	261.83	8.68	14.15	15	11	14	15
2/14/2019 21:00	259.25	10.73	15.65	15	11	10	12
2/14/2019 20:00	251.08	8.03	12.08	15	14	15	8
2/14/2019 19:00	214.25	8.94	12.41	15	13	17	10
2/14/2019 18:00	205.25	7.97	11.87	15	16	17	17
2/14/2019 17:00	208.08	9.39	13.5	15	29	17	27
2/14/2019 16:00	197.58	9.29	13.91	15	23	16	26
2/14/2019 15:00	194.92	10.53	16.25	15	32	13	32
2/14/2019 14:00	192	12.06	17.75	15	26	16	35
2/14/2019 13:00	198.17	11.46	17.4	15	11	16	21
2/14/2019 12:00	192.67	12.68	18.75	15	42	8	7
2/14/2019 11:00	197.67	12.5	19.25	10	34	5	15
2/14/2019 10:00	186.67	12.78	19.4	4	28	5	17
2/14/2019 9:00	183.17	11.92	17.5	10	7	4	2
2/14/2019 8:00	184.5	11.88	16.9	9	0	15	4
2/14/2019 7:00	184.75	11.24	16	9	1	8	4
2/14/2019 6:00	186.58	10.78	15.55	8	3	3	5
2/14/2019 5:00	193.67	9.8	14.95	3	3	4	2
2/14/2019 4:00	190.33	10.76	16.1	3	6	3	7
2/14/2019 3:00	187.67	11.34	16.8	5	3	5	6
2/14/2019 2:00	185.83	12.21	18.4	3	2	8	5
2/14/2019 1:00	181.25	10.56	16.45	9	7	12	6
2/14/2019 0:00	169.58	7.54	11.01	14	11	12	14
2/13/2019 23:00	170.08	5.88	8.75	14	10	12	13
2/13/2019 22:00	196.83	6.37	9.54	13	12	13	13
2/13/2019 21:00	209.5	7.96	11.08	7	11	14	8
2/13/2019 20:00	210.42	7.79	11.19	10	3	15	14

Timestamp	Weather Station Wind Direction (°) (averaged hourly)	Weather Station Wind Speed (mi/hr) (averaged hourly)	Weather Station GUST (mi/hr) (averaged hourly)	E-BAM Plus Station 4 ConcHR ($\mu\text{g}/\text{m}^3$) (averaged hourly)	E-BAM Plus Station 1 ConcHR ($\mu\text{g}/\text{m}^3$) (averaged hourly)	E-BAM Plus Station 3 ConcHR ($\mu\text{g}/\text{m}^3$) (averaged hourly)	E-BAM Plus Station 2 ConcHR ($\mu\text{g}/\text{m}^3$) (averaged hourly)
2/13/2019 19:00	218.83	8.5	12.32	17	16	18	14
2/13/2019 18:00	224.92	10.43	15.8	15	25	27	13
2/13/2019 17:00	236.75	10.85	17	12	18	27	13
2/13/2019 16:00	244.42	11.19	16.4	15	16	35	14
2/13/2019 15:00	249	12.54	18	19	15	34	35
2/13/2019 14:00	246.67	14.38	20.85	21	13	23	61
2/13/2019 13:00	248.92	15.53	22.68	16	10	21	23
2/13/2019 12:00	252.25	16.34	23.18	20	13	27	26
2/13/2019 11:00	253.83	16.59	23.73	14	7	20	21
2/13/2019 10:00	258.33	15.64	23.73	13	9	14	11
2/13/2019 9:00	260.67	14.48	22.24	10	13	8	7
2/13/2019 8:00	260.67	13.3	21.2	15	11	9	13
2/13/2019 7:00	261.67	14.08	22.73	15	5	11	13
2/13/2019 6:00	259.67	13.52	22.89	15	11	10	8
2/13/2019 5:00	261.67	13.37	22.04	16	12	8	12
2/13/2019 4:00	264	12.68	21.82	20	17	17	15
2/13/2019 3:00	264.42	13.11	22.13	12	23	19	18
2/13/2019 2:00	260.75	16.07	26.52	12	15	16	12
2/13/2019 1:00	258.42	17.48	27.57	8	8	15	12
2/13/2019 0:00	258.42	17.93	29.5	8	16	21	21
2/12/2019 23:00	258.08	18.55	29.2	8	15	13	13
2/12/2019 22:00	257.25	17.57	27.97	8	5	8	13
2/12/2019 21:00	260.92	16.82	28.07	7	14	6	7
2/12/2019 20:00	259.83	16.93	27.62	10	5	13	10
2/12/2019 19:00	259.75	16.57	25.79	11	0	10	7
2/12/2019 18:00	259.5	17.32	26.63	10	11	17	13
2/12/2019 17:00	256.5	17.02	25.93	12	12	13	18
2/12/2019 16:00	256.67	16.78	25.25	15	9	38	30

Timestamp	Weather Station WInd Direction (°) (averaged hourly)	Weather Station Wind Speed (mi/hr) (averaged hourly)	Weather Station GUST (mi/hr) (averaged hourly)	E-BAM Plus Station 4 ConcHR ($\mu\text{g}/\text{m}^3$) (averaged hourly)	E-BAM Plus Station 1 ConcHR ($\mu\text{g}/\text{m}^3$) (averaged hourly)	E-BAM Plus Station 3 ConcHR ($\mu\text{g}/\text{m}^3$) (averaged hourly)	E-BAM Plus Station 2 ConcHR ($\mu\text{g}/\text{m}^3$) (averaged hourly)
2/12/2019 15:00	256.33	16.91	25.29	14	8	20	19
2/12/2019 14:00	255.83	13.73	21.45	14	9	43	9
2/12/2019 13:00	258.33	12.57	18.3	19	9	55	25
2/12/2019 12:00	246.25	10.78	16.62	21	10	54	38
2/12/2019 11:00	252.92	2.87	4.45	22	12	21	25
2/12/2019 10:00	237.83	0.6	0.6	8	13	8	9
2/12/2019 9:00	194.58	0.6	0.6	5	10	12	-1
2/12/2019 8:00	149.42	0.6	0.6	6	2	15	4
2/12/2019 7:00	120	0.6	0.6	7	6	10	8
2/12/2019 6:00	96.08	0.6	0.6	4	4	5	4
2/12/2019 5:00	118.08	0.6	0.6	8	7	11	6
2/12/2019 4:00	75.33	0.6	0.6	13	11	12	9
2/12/2019 3:00	65	0.6	0.6	14	14	14	17
2/12/2019 2:00	65	0.6	0.6	15	16	22	21
2/12/2019 1:00	66.67	0.6	0.6	27	15	19	19
2/12/2019 0:00	77.67	0.6	0.6	27	26	19	20
2/11/2019 23:00	85.33	0.6	0.6	22	19	27	24
2/11/2019 22:00	92.83	1.68	3.03	26	23	33	26
2/11/2019 21:00	83.92	10.18	15.6	29	19	23	25
2/11/2019 20:00	88.25	10.48	15.9	21	24	24	28
2/11/2019 19:00	75.92	9.88	14.9	20	14	20	20
2/11/2019 18:00	73.33	10.86	16.55	15	19	20	11
2/11/2019 17:00	66.58	10.81	16	20	13	14	13
2/11/2019 16:00	63.25	9.61	14.8	13	19	15	18
2/11/2019 15:00	64.08	9.34	14.45	17	18	19	15
2/11/2019 14:00	67.92	9.31	13.66	21	19	19	15
2/11/2019 13:00	61.17	8.47	12.42	15	13	19	18
2/11/2019 12:00	61.75	8.87	12.8	17	17	13	19

Timestamp	Weather Station Wind Direction (°) (averaged hourly)	Weather Station Wind Speed (mi/hr) (averaged hourly)	Weather Station GUST (mi/hr) (averaged hourly)	E-BAM Plus Station 4 ConcHR ($\mu\text{g}/\text{m}^3$) (averaged hourly)	E-BAM Plus Station 1 ConcHR ($\mu\text{g}/\text{m}^3$) (averaged hourly)	E-BAM Plus Station 3 ConcHR ($\mu\text{g}/\text{m}^3$) (averaged hourly)	E-BAM Plus Station 2 ConcHR ($\mu\text{g}/\text{m}^3$) (averaged hourly)
2/11/2019 11:00	55.42	9.22	13.35	17	17	14	15
2/11/2019 10:00	66.5	9.09	13.4	19	22	15	16
2/11/2019 9:00	70.58	9.05	13.8	16	23	10	12
2/11/2019 8:00	54.92	8.88	13.15	20	25	15	20
2/11/2019 7:00	44.83	8.01	11.88	20	14	18	17
2/11/2019 6:00	24.25	5.37	7.5	20	25	24	20
2/11/2019 5:00	16.92	5.17	6.8	19	21	19	19
2/11/2019 4:00	11.08	4.14	5.65	23	27	24	24
2/11/2019 3:00	22.17	3	4.25	26	25	25	22
2/11/2019 2:00	83.5	1.48	2.1	22	19	19	16
2/11/2019 1:00	117.83	1.45	2.1	16	14	22	14
2/11/2019 0:00	74.75	2.3	3.25	14	19	21	17
2/10/2019 23:00	108.67	2.27	3.4	20	15	25	18
2/10/2019 22:00	97.25	2.3	3.4	20	20	27	16
2/10/2019 21:00	83	2.29	3.65	22	19	34	22
2/10/2019 20:00	111.58	3.43	5.05	22	16	38	21
2/10/2019 19:00	122.42	4.11	6.25	16	16	32	20
2/10/2019 18:00	121.42	4.45	6.9	13	18	22	22
2/10/2019 17:00	119.08	5.65	8.3	16	12	20	13
2/10/2019 16:00	118.83	5.42	8.05	17	14	27	17
2/10/2019 15:00	115.5	5.02	7.35	22	17	29	22
2/10/2019 14:00	134.33	3.79	5.8	18	17	20	24
2/10/2019 13:00	166.92	7.58	11.79	16	11	20	16
2/10/2019 12:00	155.5	9.43	14.4	8	13	18	17
2/10/2019 11:00	156.25	7.54	11.15	9	13	19	12
2/10/2019 10:00	126.83	7.79	12.67	9	10	19	13
2/10/2019 9:00	127.17	6.78	11.24	15	14	16	15
2/10/2019 8:00	131.33	4.83	7.84	15	17	25	14

Timestamp	Weather Station WInd Direction (°) (averaged hourly)	Weather Station Wind Speed (mi/hr) (averaged hourly)	Weather Station GUST (mi/hr) (averaged hourly)	E-BAM Plus Station 4 ConcHR ($\mu\text{g}/\text{m}^3$) (averaged hourly)	E-BAM Plus Station 1 ConcHR ($\mu\text{g}/\text{m}^3$) (averaged hourly)	E-BAM Plus Station 3 ConcHR ($\mu\text{g}/\text{m}^3$) (averaged hourly)	E-BAM Plus Station 2 ConcHR ($\mu\text{g}/\text{m}^3$) (averaged hourly)
2/10/2019 7:00	140.42	4.73	7.43	10	12	28	11
2/10/2019 6:00	140.25	7.36	11.84	13	12	26	10
2/10/2019 5:00	141.92	6.76	10.27	10	15	32	11
2/10/2019 4:00	134.08	5.34	8.7	13	12	36	11
2/10/2019 3:00	126	6.02	9.39	11	12	27	16
2/10/2019 2:00	118.17	5.24	8.1	11	10	22	8
2/10/2019 1:00	151.17	4.61	7.8	13	7	20	9
2/10/2019 0:00	148.67	7.63	12.77	16	19	15	17
2/9/2019 23:00	134.75	6.01	9.33	13	18	15	13
2/9/2019 22:00	137	4.21	6.6	16	11	21	20
2/9/2019 21:00	118.92	3.92	5.9	18	17	18	11
2/9/2019 20:00	75.75	5.38	7.75	19	17	19	16
2/9/2019 19:00	85.08	4.12	6.3	23	18	22	18
2/9/2019 18:00	69.5	5.05	7.05	19	17	15	17
2/9/2019 17:00	70.58	5.47	7.55	12	15	8	11
2/9/2019 16:00	53.58	6.5	9.1	16	17	18	11
2/9/2019 15:00	53.58	6.23	9	13	15	11	13
2/9/2019 14:00	70.25	5.31	8.55	4	16	16	7
2/9/2019 13:00	130.58	5.21	9.29	15	6	18	16
2/9/2019 12:00	146.92	4.65	8.69	18	20	18	17
2/9/2019 11:00	187.75	4.1	7.4	14	12	14	15
2/9/2019 10:00	234.5	4.58	6.75	11	19	11	16
2/9/2019 9:00	260	4.97	7.2	9	14	9	12
2/9/2019 8:00	279.33	4.24	6.1	11	16	13	15
2/9/2019 7:00	290.08	3.61	5.25	10	9	11	14
2/9/2019 6:00	326.75	3.48	4.95	10	9	7	11
2/9/2019 5:00	296.25	3.77	5.35	11	8	10	6
2/9/2019 4:00	311.83	5.69	8.58	8	7	5	7

Timestamp	Weather Station Wind Direction (°) (averaged hourly)	Weather Station Wind Speed (mi/hr) (averaged hourly)	Weather Station GUST (mi/hr) (averaged hourly)	E-BAM Plus Station 4 ConcHR ($\mu\text{g}/\text{m}^3$) (averaged hourly)	E-BAM Plus Station 1 ConcHR ($\mu\text{g}/\text{m}^3$) (averaged hourly)	E-BAM Plus Station 3 ConcHR ($\mu\text{g}/\text{m}^3$) (averaged hourly)	E-BAM Plus Station 2 ConcHR ($\mu\text{g}/\text{m}^3$) (averaged hourly)
2/9/2019 3:00	291.67	5.5	8.2	10	9	9	7
2/9/2019 2:00	285.83	6.36	10.01	4	3	3	6
2/9/2019 1:00	280.75	6.58	10.61	5	7	5	4
2/9/2019 0:00	275	6.94	10.71	9	7	9	10
2/8/2019 23:00	266.83	8.47	13.95	9	11	8	7
2/8/2019 22:00	281.25	8.38	12.71	4	6	8	7
2/8/2019 21:00	271.33	8.7	14.31	9	10	9	11
2/8/2019 20:00	270.83	8.61	13.86	10	8	12	10
2/8/2019 19:00	266.42	9.38	14.9	14	10	13	16
2/8/2019 18:00	264.58	10.76	17.35	14	17	19	10
2/8/2019 17:00	267.08	10.88	18.2	33	19	32	15
2/8/2019 16:00	262.75	12.28	19.05	41	22	47	26
2/8/2019 15:00	273.58	12.32	19.69	35	16	39	52
2/8/2019 14:00	267	13.42	21.34	24	16	30	33
2/8/2019 13:00	263	14.88	23.07	42	21	37	31
2/8/2019 12:00	267.83	12.88	21.53	67	33	58	58
2/8/2019 11:00	262.58	15.78	25.04	67	23	53	60
2/8/2019 10:00	261.75	15.48	24.41	120	29	41	68
2/8/2019 9:00	259.58	16.15	25.79	68	27	24	33
2/8/2019 8:00	259.75	17.85	28.2	40	21	20	21
2/8/2019 7:00	258.58	16.62	25.48	41	18	23	31
2/8/2019 6:00	258.33	17.02	27.41	74	25	25	37
2/8/2019 5:00	258.58	19.48	32.1	89	34	28	41
2/8/2019 4:00	257.92	19.89	30.6	84	29	29	45
2/8/2019 3:00	258.25	22.13	34	94	36	35	50
2/8/2019 2:00	258.08	20.58	33.24	127	45	40	51
2/8/2019 1:00	256.83	21.73	34.83	85	32	27	43
2/8/2019 0:00	256.58	21.69	34.13	112	42	39	64

Timestamp	Weather Station Wind Direction (°) (averaged hourly)	Weather Station Wind Speed (mi/hr) (averaged hourly)	Weather Station GUST (mi/hr) (averaged hourly)	E-BAM Plus Station 4 ConcHR ($\mu\text{g}/\text{m}^3$) (averaged hourly)	E-BAM Plus Station 1 ConcHR ($\mu\text{g}/\text{m}^3$) (averaged hourly)	E-BAM Plus Station 3 ConcHR ($\mu\text{g}/\text{m}^3$) (averaged hourly)	E-BAM Plus Station 2 ConcHR ($\mu\text{g}/\text{m}^3$) (averaged hourly)
2/7/2019 23:00	256.17	22.23	35.58	86	35	42	45
2/7/2019 22:00	259.25	19.73	31.21	57	25	25	32
2/7/2019 21:00	259.33	20.63	33.79	20	11	9	10
2/7/2019 20:00	258.17	20.94	33.24	12	9	7	10
2/7/2019 19:00	259.25	21.6	33.29	0	-2	0	3
2/7/2019 18:00	255.5	20.49	30.81	-2	4	3	2
2/7/2019 17:00	258.42	16.55	25.48	-4	4	2	-1
2/7/2019 16:00	264.42	15.4	25.25	4	14	4	6
2/7/2019 15:00	254.33	17.43	27.09	5	32	4	10
2/7/2019 14:00	203.08	10.88	16.8	9	18	7	9
2/7/2019 13:00	163.58	6.86	10.36	4	12	6	6
2/7/2019 12:00	150.33	6.14	9.84	21	22	21	23
2/7/2019 11:00	150.25	5.28	8.78	46	31	44	41
2/7/2019 10:00	89.42	2.28	3.55	28	14	27	21
2/7/2019 9:00	221.58	2.1	3.25	22		18	10
2/7/2019 8:00	185.92	1.76	3.1	7	4	9	15
2/7/2019 7:00	111.75	8.31	12.13	8	0	12	8
2/7/2019 6:00	109.58	9.14	13.42	14	14	16	6
2/7/2019 5:00	156.08	5.72	8.88	15	24	23	23
2/7/2019 4:00	121.83	5.73	8.28	18	14	18	19
2/7/2019 3:00	59.5	4.33	6.6	8	11	16	11
2/7/2019 2:00	66.17	5.21	7.5	4	14	11	8
2/7/2019 1:00	58.42	5.61	8.05	7	0	6	-1
2/7/2019 0:00	64.25	5.07	7.4	6	11	4	3
2/6/2019 23:00	51	6.36	9.24	1	4	2	2
2/6/2019 22:00	57.83	7.27	11.24	1	3	6	9
2/6/2019 21:00	47.92	7.83	11.93	10	18	7	7
2/6/2019 20:00	38.42	7.97	11.78	7	6	15	11

Timestamp	Weather Station WInd Direction (°) (averaged hourly)	Weather Station Wind Speed (mi/hr) (averaged hourly)	Weather Station GUST (mi/hr) (averaged hourly)	E-BAM Plus Station 4 ConcHR ($\mu\text{g}/\text{m}^3$) (averaged hourly)	E-BAM Plus Station 1 ConcHR ($\mu\text{g}/\text{m}^3$) (averaged hourly)	E-BAM Plus Station 3 ConcHR ($\mu\text{g}/\text{m}^3$) (averaged hourly)	E-BAM Plus Station 2 ConcHR ($\mu\text{g}/\text{m}^3$) (averaged hourly)
2/6/2019 19:00	20.58	9.56	13.55	11	3	4	8
2/6/2019 18:00	8.42	8.62	12.7	11	12	7	7
2/6/2019 17:00	20	9.2	12.82	14	21	13	16
2/6/2019 16:00	23	9.5	12.9	21	26	21	22
2/6/2019 15:00	37.75	7.47	10.55	23	15	12	11
2/6/2019 14:00	8.5	7.79	11.25	20	18	19	19
2/6/2019 13:00	40.25	7.06	10.41	25	19	20	29
2/6/2019 12:00	150	3.92	5.95	19	22	27	28
2/6/2019 11:00	46.75	4	5.65	25	16	24	20
2/6/2019 10:00	320.58	4.67	6.85	34	32	37	30
2/6/2019 9:00	269.33	2.85	4.55	25	18	19	21
2/6/2019 8:00	148.17	2.62	3.65	17	9	14	17
2/6/2019 7:00	338.58	1.85	2.4	16	6	8	10
2/6/2019 6:00	304.58	2.16	3.35	6	4	5	8
2/6/2019 5:00	303.67	3.31	4.55	8	8	10	10
2/6/2019 4:00	243	2.73	4.2	12	9	11	9
2/6/2019 3:00	193.33	1.74	2.85	15	11	15	10
2/6/2019 2:00	145.92	2.35	3.8	14	10	13	17
2/6/2019 1:00	178.42	1.23	2.2	10	7	15	8
2/6/2019 0:00	126.67	3.01	5	19	16	16	18
2/5/2019 23:00	77.5	4.02	6.35	24	18	20	14
2/5/2019 22:00	157.33	6.47	10.77	17	19	21	13
2/5/2019 21:00	114	5.8	8.84	15	7	5	6
2/5/2019 20:00	107.83	8.78	13.68	3	0	0	-2
2/5/2019 19:00	75.92	9.57	13.95	4	-3	8	5
2/5/2019 18:00	55.17	9.37	14.11	8	9	4	2
2/5/2019 17:00	47.92	8.4	12.46	13	13	12	7
2/5/2019 16:00	55.67	9.34	14.36	34	61	12	12

Timestamp	Weather Station WInd Direction (°) (averaged hourly)	Weather Station Wind Speed (mi/hr) (averaged hourly)	Weather Station GUST (mi/hr) (averaged hourly)	E-BAM Plus Station 4 ConcHR ($\mu\text{g}/\text{m}^3$) (averaged hourly)	E-BAM Plus Station 1 ConcHR ($\mu\text{g}/\text{m}^3$) (averaged hourly)	E-BAM Plus Station 3 ConcHR ($\mu\text{g}/\text{m}^3$) (averaged hourly)	E-BAM Plus Station 2 ConcHR ($\mu\text{g}/\text{m}^3$) (averaged hourly)
2/5/2019 15:00	59	10.95	16.75	29	110	10	16
2/5/2019 14:00	45.5	10.86	16.35	30	40	10	15
2/5/2019 13:00	47.83	8.88	13.41	35	40	17	17
2/5/2019 12:00	30.33	6.35	9.6	19	81	8	14
2/5/2019 11:00	24.5	6.19	8.7	13	124	9	13
2/5/2019 10:00	39.58	5.97	8.74	27	72	20	24
2/5/2019 9:00	30.67	7.18	10.51	21	18	15	13
2/5/2019 8:00	14.58	8.61	12.57	11	11	6	13
2/5/2019 7:00	20	8.54	12.21	12	11	9	12
2/5/2019 6:00	149.25	6.15	8.91	9	10	10	10
2/5/2019 5:00	313	4.64	7	12	7	17	8
2/5/2019 4:00	285.33	4.84	7.5	10	12	13	6
2/5/2019 3:00	324.5	7.42	11.13	13	14	12	11
2/5/2019 2:00	303.08	7.02	10.74	9	13	11	13
2/5/2019 1:00	305.17	7.16	11.63	9	10	3	6
2/5/2019 0:00	303	7.98	12.77	10	14	9	9
2/4/2019 23:00	279.25	6.06	9.07	7	10	7	6
2/4/2019 22:00	294	7.09	11.65	16	15	8	13
2/4/2019 21:00	279.17	7.43	11.64	10	8	8	7
2/4/2019 20:00	273.75	7.06	11.55	3	8	7	7
2/4/2019 19:00	277	8.47	12.97	15	7	15	13
2/4/2019 18:00	263.83	9.3	14.31	21	17	16	15
2/4/2019 17:00	265.33	11.63	18.15	15	9	25	15
2/4/2019 16:00	251.92	10.17	15.85	16	10	18	18
2/4/2019 15:00	249.92	9.63	14.4	17	22	16	16
2/4/2019 14:00	226.67	10.32	15.45	17	18	14	13
2/4/2019 13:00	211.33	10.72	15.8	15	19	12	13
2/4/2019 12:00	203.83	13	19.55	20	28	15	19

Timestamp	Weather Station Wind Direction (°) (averaged hourly)	Weather Station Wind Speed (mi/hr) (averaged hourly)	Weather Station GUST (mi/hr) (averaged hourly)	E-BAM Plus Station 4 ConcHR ($\mu\text{g}/\text{m}^3$) (averaged hourly)	E-BAM Plus Station 1 ConcHR ($\mu\text{g}/\text{m}^3$) (averaged hourly)	E-BAM Plus Station 3 ConcHR ($\mu\text{g}/\text{m}^3$) (averaged hourly)	E-BAM Plus Station 2 ConcHR ($\mu\text{g}/\text{m}^3$) (averaged hourly)
2/4/2019 11:00	201.17	12.33	18.45	19	25	15	17
2/4/2019 10:00	201.83	13.58	21.5	11	41	10	12
2/4/2019 9:00	192.17	12.97	20.39	14	19	6	7
2/4/2019 8:00	187.67	11.57	18.4	12	9	10	8
2/4/2019 7:00	189.75	11.89	18.5	11	5	13	7
2/4/2019 6:00	191.83	11.75	17.9	7	11	7	5
2/4/2019 5:00	187.75	11.96	17.95	9	8	10	10
2/4/2019 4:00	186.83	11.28	16.75	12	12	12	14
2/4/2019 3:00	189.08	11.24	15.85	10	8	12	8
2/4/2019 2:00	188.83	11.77	17.1	9	11	13	12
2/4/2019 1:00	187.92	11.28	16.15	15	11	10	14
2/4/2019 0:00	176.33	7.95	12.16	11	13	8	10
2/3/2019 23:00	173.33	5.56	7.75	6	9	8	6
2/3/2019 22:00	182.42	6.96	9.98	14	10	12	8
2/3/2019 21:00	180.58	9.61	14.16	14	9	11	15
2/3/2019 20:00	180	8.02	11.63	21	19	26	16
2/3/2019 19:00	187.42	6.43	9	17	11	19	13
2/3/2019 18:00	194.58	6.95	10.1	16	13	15	15
2/3/2019 17:00	195.67	8.47	12.38	10	15	10	9
2/3/2019 16:00	192.67	9.55	14.05	12	13	9	10
2/3/2019 15:00	196.33	10.27	15.3	9	18	10	13
2/3/2019 14:00	204.5	11.61	17.5	12	16	14	16
2/3/2019 13:00	205.33	12.57	18.45	9	8	13	11
2/3/2019 12:00	201.75	11.48	17.2	17	14	17	14
2/3/2019 11:00	204.67	10.48	16.05	14	18	13	15
2/3/2019 10:00	208.42	12.15	18.3	15	13	13	12
2/3/2019 9:00	209	11.78	17.5	8	16	8	9
2/3/2019 8:00	207.75	10.33	15.4	12	15	13	12

Timestamp	Weather Station Wind Direction (°) (averaged hourly)	Weather Station Wind Speed (mi/hr) (averaged hourly)	Weather Station GUST (mi/hr) (averaged hourly)	E-BAM Plus Station 4 ConcHR ($\mu\text{g}/\text{m}^3$) (averaged hourly)	E-BAM Plus Station 1 ConcHR ($\mu\text{g}/\text{m}^3$) (averaged hourly)	E-BAM Plus Station 3 ConcHR ($\mu\text{g}/\text{m}^3$) (averaged hourly)	E-BAM Plus Station 2 ConcHR ($\mu\text{g}/\text{m}^3$) (averaged hourly)
2/3/2019 7:00	201.67	9.18	13.85	9	11	17	17
2/3/2019 6:00	197.42	9.16	13.8	17	13	18	12
2/3/2019 5:00	194.75	10.03	15	15	15	16	16
2/3/2019 4:00	199.17	10.19	15.4	13	15	16	13
2/3/2019 3:00	196.33	10.28	15.4	15	15	17	19
2/3/2019 2:00	194.92	11.91	17.2	17	12	16	15
2/3/2019 1:00	194.42	12.14	18.2	12	7	13	8
2/3/2019 0:00	188.83	10.45	14.75	8	13	10	9
2/2/2019 23:00	191.75	7.03	10.62	9	13	9	12
2/2/2019 22:00	198	9.76	14.7	17	22	16	17
2/2/2019 21:00	194.17	10.68	16.7	28	27	27	25
2/2/2019 20:00	194.5	9.8	15.2	25	30	27	26
2/2/2019 19:00	187.83	10.32	14.65	33	29	30	30
2/2/2019 18:00	186.5	10.29	14.75	27	30	27	29
2/2/2019 17:00	190.17	8.91	13.7	23	30	24	20
2/2/2019 16:00	188.75	9.35	14.05	22	26	29	25
2/2/2019 15:00	196.33	9.44	14	23	25	23	23
2/2/2019 14:00	205.5	9.76	14.35	23	23	21	22
2/2/2019 13:00	213.08	11.86	16.7	16	14	21	24
2/2/2019 12:00	215.67	10.62	15.55	20	28	26	26
2/2/2019 11:00	216.58	12.43	17.65	21	24	23	27
2/2/2019 10:00	218.58	11.85	17.4	23	21	28	26
2/2/2019 9:00	207.92	10.27	14.8	27	26	25	24
2/2/2019 8:00	211.58	10.69	15	31	26	27	25
2/2/2019 7:00	209.83	11.41	16.3	31	25	31	30
2/2/2019 6:00	196	8.47	12.92	36	34	35	33
2/2/2019 5:00	188.25	7.09	10.06	34	33	35	29
2/2/2019 4:00	187.92	7.62	10.5	36	36	30	33

Timestamp	Weather Station WInd Direction (°) (averaged hourly)	Weather Station Wind Speed (mi/hr) (averaged hourly)	Weather Station GUST (mi/hr) (averaged hourly)	E-BAM Plus Station 4 ConcHR ($\mu\text{g}/\text{m}^3$) (averaged hourly)	E-BAM Plus Station 1 ConcHR ($\mu\text{g}/\text{m}^3$) (averaged hourly)	E-BAM Plus Station 3 ConcHR ($\mu\text{g}/\text{m}^3$) (averaged hourly)	E-BAM Plus Station 2 ConcHR ($\mu\text{g}/\text{m}^3$) (averaged hourly)
2/2/2019 3:00	187.58	7.53	10.81	33	30	37	30
2/2/2019 2:00	186.17	7.68	11.15	34	36	34	30
2/2/2019 1:00	186	7.59	10.76	27	27	32	27
2/2/2019 0:00	183.25	6.46	8.85	27	27	23	20
2/1/2019 23:00	179.58	7.64	11.14	29	24	23	23
2/1/2019 22:00	176.33	6.8	9.95	24	24	27	24
2/1/2019 21:00	166.25	6.36	9.25	23	25	26	24
2/1/2019 20:00	170.67	4.29	6.2	28	23	32	26
2/1/2019 19:00	158.83	5.35	7.95	28	27	30	22
2/1/2019 18:00	160.83	5.03	7.3	27	28	24	40
2/1/2019 17:00	156	5.93	8.2	29	35	26	45
2/1/2019 16:00	166.42	5.08	7.4	25	69	30	27
2/1/2019 15:00	162.5	4.71	7.85	23	37	18	12
2/1/2019 14:00	186.58	4.31	7.25	24	29	24	17
2/1/2019 13:00	159.67	5.13	8.2	20	14	18	20
2/1/2019 12:00	150.5	4.25	7.05	24	25	24	19
2/1/2019 11:00	100.75	3.19	5.05	27	30	28	27
2/1/2019 10:00	115.08	4.39	6.6	30	25	21	25
2/1/2019 9:00	118	3.67	5.55	21	19	26	17
2/1/2019 8:00	124.08	3.07	4.7	24	18	19	18
2/1/2019 7:00	98.42	2.77	4.05	16	17	21	20
2/1/2019 6:00	62.33	4.17	5.75	19	15	26	18
2/1/2019 5:00	102.17	3.41	5.15	15	17	25	9
2/1/2019 4:00	120.33	3.33	5.2	14	11	27	14
2/1/2019 3:00	126.42	3.9	6.1	10	8	20	12
2/1/2019 2:00	124.25	3.23	4.85	9	9	23	7
2/1/2019 1:00	120.25	3.06	4.9	6	3	17	9
2/1/2019 0:00	122.67	2.48	3.9	8	8	21	12

Timestamp	Weather Station Wind Direction (°) (averaged hourly)	Weather Station Wind Speed (mi/hr) (averaged hourly)	Weather Station GUST (mi/hr) (averaged hourly)	E-BAM Plus Station 4 ConcHR ($\mu\text{g}/\text{m}^3$) (averaged hourly)	E-BAM Plus Station 1 ConcHR ($\mu\text{g}/\text{m}^3$) (averaged hourly)	E-BAM Plus Station 3 ConcHR ($\mu\text{g}/\text{m}^3$) (averaged hourly)	E-BAM Plus Station 2 ConcHR ($\mu\text{g}/\text{m}^3$) (averaged hourly)
1/31/2019 23:00	110	2.09	3.25	11	14	16	4
1/31/2019 22:00	167.92	1.61	2.6	17	17	22	12
1/31/2019 21:00	178.42	4.3	6.2	18	19	17	6
1/31/2019 20:00	160.83	5.24	7.75	22	21	24	10
1/31/2019 19:00	164.33	5.42	8.1	27	19	25	24
1/31/2019 18:00	169.17	4.3	5.95	18	19	25	22
1/31/2019 17:00	171.17	2.78	4.3	20	25	25	19
1/31/2019 16:00	226.67	4.28	6.7	21	17	34	21
1/31/2019 15:00	259.83	5.73	8.94	17	18	26	22
1/31/2019 14:00	254.25	7.81	11.49	14	18	23	18
1/31/2019 13:00	253.25	9.82	14.2	17	13	24	15
1/31/2019 12:00	242.92	8.84	13.21	20	11	28	12
1/31/2019 11:00	254.58	9.39	13	25	6	22	15
1/31/2019 10:00	238.92	8.73	12.61	15	11	18	13
1/31/2019 9:00	244.58	9.71	14.3	16	15	20	14
1/31/2019 8:00	230.33	7.53	11.98	13	16	15	15
1/31/2019 7:00	239	7.55	11.25	9	11	9	11
1/31/2019 6:00	259	6.93	10.23	9	10	12	12
1/31/2019 5:00	260.17	6.83	10.38	11	12	15	14
1/31/2019 4:00	255.75	8.26	12.07	12	12	13	7
1/31/2019 3:00	252.5	8.94	12.76	12	15	14	12
1/31/2019 2:00	258.17	10.08	14.55	6	15	10	8
1/31/2019 1:00	259.42	10.13	15.05	6	8	6	12
1/31/2019 0:00	259.58	10.44	16	10	12	10	12
1/30/2019 23:00	259.92	11.45	17.05	12	14	13	10
1/30/2019 22:00	261	9.67	15.01	11	11	13	8
1/30/2019 21:00	258.83	12.38	19.15	11	10	12	8
1/30/2019 20:00	259.25	12.14	18.35	9	12	11	14

Timestamp	Weather Station Wind Direction (°) (averaged hourly)	Weather Station Wind Speed (mi/hr) (averaged hourly)	Weather Station GUST (mi/hr) (averaged hourly)	E-BAM Plus Station 4 ConcHR ($\mu\text{g}/\text{m}^3$) (averaged hourly)	E-BAM Plus Station 1 ConcHR ($\mu\text{g}/\text{m}^3$) (averaged hourly)	E-BAM Plus Station 3 ConcHR ($\mu\text{g}/\text{m}^3$) (averaged hourly)	E-BAM Plus Station 2 ConcHR ($\mu\text{g}/\text{m}^3$) (averaged hourly)
1/30/2019 19:00	259.08	15.21	21.6	13	10	16	13
1/30/2019 18:00	257.92	14.12	19.45	14	11	16	11
1/30/2019 17:00	252.83	14.14	20.6	7	13	11	12
1/30/2019 16:00	250.75	14.38	21.15	11	12	12	13
1/30/2019 15:00	244.67	14.99	21.65	14	11	15	15
1/30/2019 14:00	250.08	16.07	23.18	14	13	23	14
1/30/2019 13:00	249.5	16.14	23.18	16	10	19	15
1/30/2019 12:00	247.92	16.57	24.01	12	8	9	10
1/30/2019 11:00	252.08	15.81	23.18	9	8	8	11
1/30/2019 10:00	256	15.87	24.01	12	9	8	10
1/30/2019 9:00	263.83	14.47	23.67	5	11	9	10
1/30/2019 8:00	262.75	14.43	23.94	9	11	7	8
1/30/2019 7:00	263.58	13.05	21.74	12	5	12	11
1/30/2019 6:00	270.08	11.35	18.9	9	11	7	10
1/30/2019 5:00	271.75	11.51	19.49	8	12	5	5
1/30/2019 4:00	276.17	12.37	20.05	12	10	7	10
1/30/2019 3:00	278.58	12.83	19.65	9	7	9	9
1/30/2019 2:00	280.92	11.48	18.64	6	4	6	3
1/30/2019 1:00	267.75	11.98	20.2	4	3	3	1
1/30/2019 0:00	267.75	11.54	19.94	11	7	8	5
1/29/2019 23:00	267.33	10.78	18.3	4	14	8	7
1/29/2019 22:00	266.83	10.91	19.64	7	7	5	10
1/29/2019 21:00	263.42	12.99	23.27	8	9	9	12
1/29/2019 20:00	265.25	13.98	25.15	11	9	10	12
1/29/2019 19:00	261.08	16.2	27.27	23	19	19	20
1/29/2019 18:00	258.25	16.85	26.61	7	15	13	11
1/29/2019 17:00	255	15.57	24.51	24	14	20	9
1/29/2019 16:00	258.92	15.28	24.36	38	15	19	13

Timestamp	Weather Station Wind Direction (°) (averaged hourly)	Weather Station Wind Speed (mi/hr) (averaged hourly)	Weather Station GUST (mi/hr) (averaged hourly)	E-BAM Plus Station 4 ConcHR ($\mu\text{g}/\text{m}^3$) (averaged hourly)	E-BAM Plus Station 1 ConcHR ($\mu\text{g}/\text{m}^3$) (averaged hourly)	E-BAM Plus Station 3 ConcHR ($\mu\text{g}/\text{m}^3$) (averaged hourly)	E-BAM Plus Station 2 ConcHR ($\mu\text{g}/\text{m}^3$) (averaged hourly)
1/29/2019 15:00	264.5	16.1	25.94	26	14	19	11
1/29/2019 14:00	263.83	14.42	24.35	22	19	25	26
1/29/2019 13:00	264	13.04	21.38	23	11	20	18
1/29/2019 12:00	260.92	13.57	20.79	26	9	17	17
1/29/2019 11:00	255.5	15.43	23.13	19	11	9	8
1/29/2019 10:00	255.92	15.41	23.52	13	8	13	8
1/29/2019 9:00	255.67	13.6	19.9	10	7	7	6
1/29/2019 8:00	255.08	14.54	20.55	15	13	9	14
1/29/2019 7:00	256.25	15.28	22.57	19	13	14	10
1/29/2019 6:00	244.33	14.07	21	9	11	8	4
1/29/2019 5:00	248.17	14.33	20.24	5	-1	0	3
1/29/2019 4:00	254.67	10.34	15.5	4	4	4	6
1/29/2019 3:00	268.17	8.29	13.6	4	5	3	4
1/29/2019 2:00	279.42	10.35	16.4	3	-1	-2	-2
1/29/2019 1:00	275.08	8.83	14.36	4	3	-1	-3
1/29/2019 0:00	278.67	9.78	15.1	14	5	2	0
1/28/2019 23:00	287.58	12.91	21.48	6	6	7	10
1/28/2019 22:00	281.58	11.78	18.45	14	13	12	11
1/28/2019 21:00	283.42	10.97	16.95	18	14	10	15
1/28/2019 20:00	281.67	11.76	17.5	19	20	17	19
1/28/2019 19:00	263.25	12.32	19.69	21	17	17	24
1/28/2019 18:00	258	14.7	21.44	20	17	22	20
1/28/2019 17:00	259.75	15.93	25.29	20	21	15	15
1/28/2019 16:00	260.08	17.07	26.18	23	20	21	19
1/28/2019 15:00	258	16.2	23.82	24	15	21	13
1/28/2019 14:00	261.83	12.42	20.63	22	11	20	18
1/28/2019 13:00	259	15.08	22.79	15	14	18	18
1/28/2019 12:00	251.17	14.52	22.07	19	28	16	12

Timestamp	Weather Station Wind Direction (°) (averaged hourly)	Weather Station Wind Speed (mi/hr) (averaged hourly)	Weather Station GUST (mi/hr) (averaged hourly)	E-BAM Plus Station 4 ConcHR ($\mu\text{g}/\text{m}^3$) (averaged hourly)	E-BAM Plus Station 1 ConcHR ($\mu\text{g}/\text{m}^3$) (averaged hourly)	E-BAM Plus Station 3 ConcHR ($\mu\text{g}/\text{m}^3$) (averaged hourly)	E-BAM Plus Station 2 ConcHR ($\mu\text{g}/\text{m}^3$) (averaged hourly)
1/28/2019 11:00	219.33	12.48	18.55	11	22	14	14
1/28/2019 10:00	208.75	13.34	19.75	16	16	14	11
1/28/2019 9:00	195.08	10.57	17.01	18	17	15	7
1/28/2019 8:00	180.42	0.6	0.6	17	21	26	11
1/28/2019 7:00	165.58	0.6	0.6	46	21	30	45
1/28/2019 6:00	162.5	0.6	0.6	25	21	30	48
1/28/2019 5:00	156.25	0.6	0.6	36	40	33	50
1/28/2019 4:00	146.08	0.6	0.6	27	44	29	31
1/28/2019 3:00	134.92	0.6	0.6	20	22	29	17
1/28/2019 2:00	123.83	0.6	0.6	21	19	29	19
1/28/2019 1:00	124	0.6	0.6	19	20	27	16
1/28/2019 0:00	120	0.6	0.6	29	21	23	14
1/27/2019 23:00	128.42	0.6	0.6	22	17	28	16
1/27/2019 22:00	136.33	0.6	0.6	24	18	33	27
1/27/2019 21:00	157.67	0.6	0.6	29	26	39	25
1/27/2019 20:00	151.75	0.6	0.6	35	27	47	27
1/27/2019 19:00	138.75	0.6	0.6	40	32	53	48
1/27/2019 18:00	195.33	0.6	0.6	37	36	44	37
1/27/2019 17:00	219.25	0.6	0.6	26	24	27	25
1/27/2019 16:00	201.42	0.6	0.6	22	16	23	16
1/27/2019 15:00	239	0.6	0.6	16	16	17	14
1/27/2019 14:00	273.83	0.6	0.6	12	11	9	11
1/27/2019 13:00	266	0.6	0.6	13	8	16	13
1/27/2019 12:00	287	0.6	0.6	13	19	15	15
1/27/2019 11:00	276.5	0.6	0.6	16	14	15	15
1/27/2019 10:00	306.42	0.6	0.6	15	16	11	14
1/27/2019 9:00	278.08	0.6	0.6	16	18	18	17
1/27/2019 8:00	253.92	0.6	0.6	21	17	19	17

Timestamp	Weather Station WInd Direction (°) (averaged hourly)	Weather Station Wind Speed (mi/hr) (averaged hourly)	Weather Station GUST (mi/hr) (averaged hourly)	E-BAM Plus Station 4 ConcHR ($\mu\text{g}/\text{m}^3$) (averaged hourly)	E-BAM Plus Station 1 ConcHR ($\mu\text{g}/\text{m}^3$) (averaged hourly)	E-BAM Plus Station 3 ConcHR ($\mu\text{g}/\text{m}^3$) (averaged hourly)	E-BAM Plus Station 2 ConcHR ($\mu\text{g}/\text{m}^3$) (averaged hourly)
1/27/2019 7:00	271.75	0.6	0.6	17	18	18	15
1/27/2019 6:00	270.33	0.6	0.6	20	19	19	19
1/27/2019 5:00	269.42	0.6	0.6	23	18	20	20
1/27/2019 4:00	265.83	0.6	0.6	20	18	19	22
1/27/2019 3:00	277.67	0.6	0.6	17	16	16	18
1/27/2019 2:00	279.17	0.6	0.6	17	20	18	14
1/27/2019 1:00	279.5	0.6	0.6	17	20	15	17
1/27/2019 0:00	278.42	0.6	0.6	20	18	16	15
1/26/2019 23:00	278.67	0.6	0.6	24	17	19	18
1/26/2019 22:00	269.42	0.6	0.6	18	16	18	19
1/26/2019 21:00	256.42	0.6	0.6	18	16	18	18
1/26/2019 20:00	289.5	0.6	0.6	18	12	18	15
1/26/2019 19:00	223.25	0.6	0.6	22	19	16	17
1/26/2019 18:00	176	0.6	0.6	21	19	22	18
1/26/2019 17:00	194.92	0.6	0.6	18	23	28	25
1/26/2019 16:00	198.08	0.6	0.6	19	28	27	34
1/26/2019 15:00	190.83	0.6	0.6	24	13	33	22
1/26/2019 14:00	179.17	0.6	0.6	19	14	22	11
1/26/2019 13:00	204.58	0.6	0.6	17	11	13	15
1/26/2019 12:00	203.5	0.6	0.6	19	23	19	17
1/26/2019 11:00	206.08	0.6	0.6	28	20	40	25
1/26/2019 10:00	239.75	0.6	0.6	31	29	32	28
1/26/2019 9:00	250.58	0.6	0.6	22	20	16	16
1/26/2019 8:00	254.58	0.6	0.6	18	13	13	19
1/26/2019 7:00	266.33	0.6	0.6	13	13	16	17
1/26/2019 6:00	269.92	0.6	0.6	11	12	10	8
1/26/2019 5:00	296.08	0.6	0.6	11	11	16	16
1/26/2019 4:00	298.42	0.6	0.6	12	11	11	12

Timestamp	Weather Station Wind Direction (°) (averaged hourly)	Weather Station Wind Speed (mi/hr) (averaged hourly)	Weather Station GUST (mi/hr) (averaged hourly)	E-BAM Plus Station 4 ConcHR ($\mu\text{g}/\text{m}^3$) (averaged hourly)	E-BAM Plus Station 1 ConcHR ($\mu\text{g}/\text{m}^3$) (averaged hourly)	E-BAM Plus Station 3 ConcHR ($\mu\text{g}/\text{m}^3$) (averaged hourly)	E-BAM Plus Station 2 ConcHR ($\mu\text{g}/\text{m}^3$) (averaged hourly)
1/26/2019 3:00	301.58	0.6	0.6	10	12	11	8
1/26/2019 2:00	309.33	0.6	0.6	13	9	9	12
1/26/2019 1:00	321.75	0.6	0.6	9	7	8	12
1/26/2019 0:00	322.67	0.6	0.6	11	11	14	14
1/25/2019 23:00	324.33	0.6	0.6	7	8	11	11
1/25/2019 22:00	320.92	0.6	0.6	8	7	8	10
1/25/2019 21:00	294.42	0.6	0.6	4	9	8	7
1/25/2019 20:00	276.17	0.6	0.6	10	16	12	14
1/25/2019 19:00	265.08	0.6	0.6	16	26	11	18
1/25/2019 18:00	216.67	0.6	0.6	21	31	10	15
1/25/2019 17:00	219.58	0.6	0.6	33	32	65	26
1/25/2019 16:00	229.33	0.6	0.6	29	26	97	25
1/25/2019 15:00	232	0.6	0.6	36	24	96	34
1/25/2019 14:00	242.83	0.6	0.6	32	34	51	33
1/25/2019 13:00	223.67	0.6	0.6	37	31	66	39
1/25/2019 12:00	219.08	0.6	0.6	27	22	85	26
1/25/2019 11:00	229.58	0.6	0.6	25	19	39	22
1/25/2019 10:00	243.08	0.6	0.6	22	19	28	18
1/25/2019 9:00	245.33	0.6	0.6	18	17	17	12
1/25/2019 8:00	260	0.6	0.6	12	16	20	17
1/25/2019 7:00	261.75	0.6	0.6	21	17	17	13
1/25/2019 6:00	261.92	0.6	0.6	15	10	16	19
1/25/2019 5:00	261.92	0.6	0.6	15	15	12	11
1/25/2019 4:00	263.08	0.6	0.6	10	13	15	12
1/25/2019 3:00	266.75	0.6	0.6	15	12	8	10
1/25/2019 2:00	269	0.6	0.6	17	5	10	7
1/25/2019 1:00	280.42	0.6	0.6	7	9	7	2
1/25/2019 0:00	279.5	0.6	0.6	13	10	13	7

Timestamp	Weather Station Wind Direction (°) (averaged hourly)	Weather Station Wind Speed (mi/hr) (averaged hourly)	Weather Station GUST (mi/hr) (averaged hourly)	E-BAM Plus Station 4 ConcHR ($\mu\text{g}/\text{m}^3$) (averaged hourly)	E-BAM Plus Station 1 ConcHR ($\mu\text{g}/\text{m}^3$) (averaged hourly)	E-BAM Plus Station 3 ConcHR ($\mu\text{g}/\text{m}^3$) (averaged hourly)	E-BAM Plus Station 2 ConcHR ($\mu\text{g}/\text{m}^3$) (averaged hourly)
1/24/2019 23:00	275.5	0.6	0.6	11	14	17	10
1/24/2019 22:00	263	0.6	0.6	12	14	16	10
1/24/2019 21:00	264.42	0.6	0.6	19	17	13	17
1/24/2019 20:00	265.17	0.6	0.6	20	15	20	20
1/24/2019 19:00	264.83	0.6	0.6	26	20	29	27
1/24/2019 18:00	260.33	0.6	0.6	25	20	40	44
1/24/2019 17:00	271.58	0.6	0.6	31	28	51	51
1/24/2019 16:00	260.33	0.6	0.6	40	28	50	63
1/24/2019 15:00	266.33	0.6	0.6	33	28	32	51
1/24/2019 14:00	259.25	0.6	0.6	31	30	32	44
1/24/2019 13:00	248.17	0.6	0.6	34	32	32	38
1/24/2019 12:00	222.92	0.6	0.6	35	45	32	40
1/24/2019 11:00	221.75	0.6	0.6	40	33	35	37
1/24/2019 10:00	212.83	0.6	0.6	31	30	34	25
1/24/2019 9:00	243.92	0.6	0.6	34	26	36	26
1/24/2019 8:00	242.25	0.6	0.6	27	29	27	28
1/24/2019 7:00	247.08	0.6	0.6	26	23	24	23
1/24/2019 6:00	248.27	0.6	0.6	25	22	24	21
1/24/2019 5:00	250.75	0.6	0.6	14	17	12	16
1/24/2019 4:00	258.17	0.6	0.6	16	15	10	13
1/24/2019 3:00	282.17	0.6	0.6	14	14	11	11
1/24/2019 2:00	289.58	0.6	0.6	9	14	9	12
1/24/2019 1:00	281.08	0.6	0.6	9	10	15	9
1/24/2019 0:00	310.67	0.6	0.6	14	9	12	13
1/23/2019 23:00	309.25	0.6	0.6	12	16	13	10
1/23/2019 22:00	305.17	0.6	0.6	13	10	11	10
1/23/2019 21:00	305.83	0.6	0.6	17	15	9	16
1/23/2019 20:00	295.75	0.6	0.6	14	15	19	14

Timestamp	Weather Station Wind Direction (°) (averaged hourly)	Weather Station Wind Speed (mi/hr) (averaged hourly)	Weather Station GUST (mi/hr) (averaged hourly)	E-BAM Plus Station 4 ConcHR ($\mu\text{g}/\text{m}^3$) (averaged hourly)	E-BAM Plus Station 1 ConcHR ($\mu\text{g}/\text{m}^3$) (averaged hourly)	E-BAM Plus Station 3 ConcHR ($\mu\text{g}/\text{m}^3$) (averaged hourly)	E-BAM Plus Station 2 ConcHR ($\mu\text{g}/\text{m}^3$) (averaged hourly)
1/23/2019 19:00	296.92	0.6	0.6	11	11	15	18
1/23/2019 18:00	278.75	0.6	0.6	21	16	16	16
1/23/2019 17:00	279.92	0.6	0.6	20	20	21	14
1/23/2019 16:00	288.42	0.6	0.6	17	16	21	18
1/23/2019 15:00	294.17	0.6	0.6	24	22	25	19
1/23/2019 14:00	290	0.6	0.6	22	21	26	26
1/23/2019 13:00	285.5	0.6	0.6	15	10	14	15
1/23/2019 12:00	306.25	1.02	1.64	15	9	26	19
1/23/2019 11:00	336	7.41	11.2	18	11	19	19
1/23/2019 10:00	325.5	4.65	7.14	21	15	21	9
1/23/2019 9:00	318.25	4.22	6.25	11	12	16	13
1/23/2019 8:00	313.25	4.76	7.05	9	9	12	13
1/23/2019 7:00	243	3.44	5.4	7	2	13	2
1/23/2019 6:00	217.25	3.51	4.65	12	7	10	5
1/23/2019 5:00	210.25	2.79	4.1	22	3	11	5
1/23/2019 4:00	161.33	5.54	8.25	13	11	7	7
1/23/2019 3:00	158.58	5.48	8.25	12	9	11	8
1/23/2019 2:00	178.92	6.52	9.64	7	12	7	5
1/23/2019 1:00	180.33	6.12	8.75	5	7	7	3
1/23/2019 0:00	176.83	6.35	9	12	9	7	7
1/22/2019 23:00	184.17	7.1	9.97	8	6	9	4
1/22/2019 22:00	182.17	7.15	10.68	11	9	8	8
1/22/2019 21:00	185.08	8.32	12.26	8	11	13	10
1/22/2019 20:00	181.67	8.63	12.53	7	19	13	10
1/22/2019 19:00	186.5	8.56	12.27	8	9	11	13
1/22/2019 18:00	187.5	8.53	12.65	16	28	11	2
1/22/2019 17:00	188.58	8.87	13.51	13	32	13	13
1/22/2019 16:00	187.33	7.93	11.69	40	49	16	19

Timestamp	Weather Station WInd Direction (°) (averaged hourly)	Weather Station Wind Speed (mi/hr) (averaged hourly)	Weather Station GUST (mi/hr) (averaged hourly)	E-BAM Plus Station 4 ConcHR ($\mu\text{g}/\text{m}^3$) (averaged hourly)	E-BAM Plus Station 1 ConcHR ($\mu\text{g}/\text{m}^3$) (averaged hourly)	E-BAM Plus Station 3 ConcHR ($\mu\text{g}/\text{m}^3$) (averaged hourly)	E-BAM Plus Station 2 ConcHR ($\mu\text{g}/\text{m}^3$) (averaged hourly)
1/22/2019 15:00	184	8.97	12.92	59	38	13	14
1/22/2019 14:00	185.5	11.38	17.55				
1/22/2019 13:00	181.58	12.01	19				
1/22/2019 12:00	175.25	10.67	16.05		89		
1/22/2019 11:00	173.25	11.22	17.35		76		17
1/22/2019 10:00	168.75	12.13	19.55		60	18	17
1/22/2019 9:00	164.5	12.93	20.1	22	33	18	17
1/22/2019 8:00	152.5	14	23.07	26	16	22	17
1/22/2019 7:00	150.5	12.61	20	25	13	26	17
1/22/2019 6:00	146.08	9.6	15.25	28	12	30	17
1/22/2019 5:00	146.75	9.58	15.25	30	16	30	17
1/22/2019 4:00	150	9.29	14.4	31	15	30	17
1/22/2019 3:00	150.92	11.04	16.7	29	17	27	17
1/22/2019 2:00	148.25	11.61	18.4	27	12	31	17
1/22/2019 1:00	144.42	9.4	15.8	27	10	18	17
1/22/2019 0:00	144.67	9.84	16.25	23	9	20	17
1/21/2019 23:00	139.33	9.69	16.3	26	11	17	17
1/21/2019 22:00	137.67	9.37	15.6	30	12	21	17
1/21/2019 21:00	135.33	9.06	14.95	29	13	26	17
1/21/2019 20:00	135.17	8.71	14.1	25	11	26	17
1/21/2019 19:00	134.33	8.09	14.16	34	11	18	17
1/21/2019 18:00	137.42	7.23	12.03	30	26	22	17
1/21/2019 17:00	137.58	8.38	13.8	18	50	12	17
1/21/2019 16:00	144.92	7.63	12.32	13	74	19	17
1/21/2019 15:00	146.75	8.98	13.46	22	61	21	17
1/21/2019 14:00	152	7.69	11.93	23	25	21	17
1/21/2019 13:00	144.67	7.07	11.57	27	26	11	17
1/21/2019 12:00	122.42	8.29	12.77	29	36	12	17

Timestamp	Weather Station Wind Direction (°) (averaged hourly)	Weather Station Wind Speed (mi/hr) (averaged hourly)	Weather Station GUST (mi/hr) (averaged hourly)	E-BAM Plus Station 4 ConcHR ($\mu\text{g}/\text{m}^3$) (averaged hourly)	E-BAM Plus Station 1 ConcHR ($\mu\text{g}/\text{m}^3$) (averaged hourly)	E-BAM Plus Station 3 ConcHR ($\mu\text{g}/\text{m}^3$) (averaged hourly)	E-BAM Plus Station 2 ConcHR ($\mu\text{g}/\text{m}^3$) (averaged hourly)
1/21/2019 11:00	143.33	8.09	12.46	31	18	10	17
1/21/2019 10:00	154.67	7.42	11.38	30	9	10	17
1/21/2019 9:00	147	7.13	10.91	21	9	5	17
1/21/2019 8:00	156.17	6.91	10.08	23	7	17	17
1/21/2019 7:00	145.92	5.54	8.65	30	2	19	17
1/21/2019 6:00	151.67	6.25	9.29	29	1	17	17
1/21/2019 5:00	157	6.64	9.75	27	3	21	17
1/21/2019 4:00	163.33	5.42	8.1	27	10	20	17
1/21/2019 3:00	158.58	5.13	7.85	15	12	11	17
1/21/2019 2:00	172.42	4.33	6.3	10	2	13	17
1/21/2019 1:00	244.58	2.41	3.75	13	13	18	17
1/21/2019 0:00	229.25	4.45	7.15	12	12	19	17
1/20/2019 23:00	314.33	7.24	11.23	16	16	12	17
1/20/2019 22:00	315.83	8.46	13.41	13	16	15	17
1/20/2019 21:00	319.33	10.35	15.7	13	16	16	17
1/20/2019 20:00	318.58	10.27	16.2	8	6	11	17
1/20/2019 19:00	322.08	11.52	17.25	14	9	10	17
1/20/2019 18:00	327.25	10.75	17	7	6	7	17
1/20/2019 17:00	321.83	11.87	18	0	8	7	17
1/20/2019 16:00	342	12.46	19.1	6	5	6	17
1/20/2019 15:00	345.42	13.7	21.35	10	4	7	17
1/20/2019 14:00	331.75	12.03	18.05	8	5	11	17
1/20/2019 13:00	319.5	11.11	17.25	18	20	10	17
1/20/2019 12:00	320.58	9.51	14.21	17	24	7	17
1/20/2019 11:00	291.83	6.42	10.07	5	2	5	17
1/20/2019 10:00	292.92	5.71	9.44	0	8	4	17
1/20/2019 9:00	268	5.64	9.71	5	2	5	17
1/20/2019 8:00	319.83	10.13	14.75	3	8	6	17

Timestamp	Weather Station Wind Direction (°) (averaged hourly)	Weather Station Wind Speed (mi/hr) (averaged hourly)	Weather Station GUST (mi/hr) (averaged hourly)	E-BAM Plus Station 4 ConcHR ($\mu\text{g}/\text{m}^3$) (averaged hourly)	E-BAM Plus Station 1 ConcHR ($\mu\text{g}/\text{m}^3$) (averaged hourly)	E-BAM Plus Station 3 ConcHR ($\mu\text{g}/\text{m}^3$) (averaged hourly)	E-BAM Plus Station 2 ConcHR ($\mu\text{g}/\text{m}^3$) (averaged hourly)
1/20/2019 7:00	320.42	10.06	15	5	7	6	17
1/20/2019 6:00	318.5	10.14	16.05	13	14	11	17
1/20/2019 5:00	322.5	10.94	16.85	11	10	7	17
1/20/2019 4:00	323.42	10.78	17.15	6	7	6	17
1/20/2019 3:00	153.58	14.28	22.02	8	11	9	17
1/20/2019 2:00	327.5	11.66	18.2	8	13	9	17
1/20/2019 1:00	321.25	10.99	15.95	12	15	6	17
1/20/2019 0:00	326.75	10.26	16.3	21	19	23	17
1/19/2019 23:00	328.92	12.2	18.55	18	19	23	17
1/19/2019 22:00	93	17.63	28.52	13	11	18	17
1/19/2019 21:00	10.42	17.34	27.26	16	9	18	17
1/19/2019 20:00	9.42	17.39	28.62	12	5	14	17
1/19/2019 19:00	10.67	17.58	28.12	7	8	12	17
1/19/2019 18:00	10.83	17.26	26.96	5	9	5	17
1/19/2019 17:00	15.17	18.88	29.91	3	9	6	17
1/19/2019 16:00	21.33	20.34	29.8	12	12	5	17
1/19/2019 15:00	24.25	20.43	29.05	10	4	2	17
1/19/2019 14:00	26	19.83	28.91	2	3	7	17
1/19/2019 13:00	27.92	18.21	26.57	6	14	10	17
1/19/2019 12:00	34.08	16.08	24.11	4	10	9	17
1/19/2019 11:00	35.25	15.91	24.05	3	7	15	17
1/19/2019 10:00	39.58	15.4	23.57	2	10	10	17
1/19/2019 9:00	46.5	16.19	25.53	6	10	8	17
1/19/2019 8:00	52.42	15.64	24.43	8	8	8	17
1/19/2019 7:00	56.25	15.23	23.72	8	8	8	17
1/19/2019 6:00	63.17	14.95	23.67	11	13	21	17
1/19/2019 5:00	69	15.86	24.42	16	17	18	17
1/19/2019 4:00	72.83	14.87	23.78	9	13	11	17

Timestamp	Weather Station WInd Direction (°) (averaged hourly)	Weather Station Wind Speed (mi/hr) (averaged hourly)	Weather Station GUST (mi/hr) (averaged hourly)	E-BAM Plus Station 4 ConcHR ($\mu\text{g}/\text{m}^3$) (averaged hourly)	E-BAM Plus Station 1 ConcHR ($\mu\text{g}/\text{m}^3$) (averaged hourly)	E-BAM Plus Station 3 ConcHR ($\mu\text{g}/\text{m}^3$) (averaged hourly)	E-BAM Plus Station 2 ConcHR ($\mu\text{g}/\text{m}^3$) (averaged hourly)
1/19/2019 3:00	75.83	13.38	20.3	8	9	11	17
1/19/2019 2:00	74	13.18	20.05	13	11	14	17
1/19/2019 1:00	69.83	12.18	18.9	11	8	11	17
1/19/2019 0:00	68.42	12.6	19	14	13	16	17
1/18/2019 23:00	66.42	12.68	19.6	8	10	8	17
1/18/2019 22:00	67.42	10.71	15.75	9	5	10	17
1/18/2019 21:00	73.67	10.81	16.3	8	11	9	17
1/18/2019 20:00	84.83	12.27	19.25	6	6	5	17
1/18/2019 19:00	71.25	11.55	17.8	14	10	11	17
1/18/2019 18:00	58.17	10.47	16.8	21	17	13	17
1/18/2019 17:00	45.58	11.02	17.75	19	30	11	17
1/18/2019 16:00	31.33	11.13	16.5	32	120	26	17
1/18/2019 15:00	27	11.4	16.35	28	202	24	17
1/18/2019 14:00	15	8.06	11.58	28	169	36	17
1/18/2019 13:00	26.5	7.88	10.87	30	96	27	17
1/18/2019 12:00	70.42	6.05	9	35	315	29	17
1/18/2019 11:00	19.25	5.5	8.05	42	356	47	17
1/18/2019 10:00	40.92	7.39	10.39	59	202	47	17
1/18/2019 9:00	11.42	6.87	9.42	29	15	16	17
1/18/2019 8:00	151.08	5.43	7.6	15	14	15	17
1/18/2019 7:00	304.83	4.45	6.55	13	8	15	17
1/18/2019 6:00	337.42	3.91	5.65	8	12	13	14
1/18/2019 5:00	302.33	4.48	7.15	17	19	14	20
1/18/2019 4:00	300.17	5.71	8.93	20	18	21	13
1/18/2019 3:00	301.42	5.38	8.35	17	17	20	17
1/18/2019 2:00	281.58	5.22	7.8	18	19	17	11
1/18/2019 1:00	282.17	4.91	7.25	17	11	17	17
1/18/2019 0:00	280.5	5.67	8.94	14	9	19	21

Timestamp	Weather Station Wind Direction (°) (averaged hourly)	Weather Station Wind Speed (mi/hr) (averaged hourly)	Weather Station GUST (mi/hr) (averaged hourly)	E-BAM Plus Station 4 ConcHR ($\mu\text{g}/\text{m}^3$) (averaged hourly)	E-BAM Plus Station 1 ConcHR ($\mu\text{g}/\text{m}^3$) (averaged hourly)	E-BAM Plus Station 3 ConcHR ($\mu\text{g}/\text{m}^3$) (averaged hourly)	E-BAM Plus Station 2 ConcHR ($\mu\text{g}/\text{m}^3$) (averaged hourly)
1/17/2019 23:00	288.17	5.94	8.88	23	21	21	23
1/17/2019 22:00	286.5	5.71	8.74	17	20	16	13
1/17/2019 21:00	285.17	5.12	7.99	11	16	14	13
1/17/2019 20:00	297.17	6.42	10.32	20	24	24	23
1/17/2019 19:00	292.17	6.91	10.53	42	37	39	44
1/17/2019 18:00	295.33	3.9	6.1	45	32	43	40
1/17/2019 17:00	276.25	2.62	4.05	32	38	50	65
1/17/2019 16:00	284.92	3.07	4.45	45	38	33	51
1/17/2019 15:00	252.42	2.81	4.45	45	37	34	33
1/17/2019 14:00	197.42	1.68	2.95	31	33	20	24
1/17/2019 13:00	67.17	2.09	3.45	19	24	21	25
1/17/2019 12:00	56.5	1.93	3.05	18	24	23	22
1/17/2019 11:00	105.08	2.47	3.8	21	24	24	23
1/17/2019 10:00	51.92	2.19	3.25	23	27	23	25
1/17/2019 9:00	113.92	3.3	4.95	19	21	22	18
1/17/2019 8:00	117.75	3.77	5.75	25	16	22	18
1/17/2019 7:00	128.17	4.99	7.7	15	7	17	18
1/17/2019 6:00	116.25	4.58	6.85	16	12	16	12
1/17/2019 5:00	112.25	4.72	6.85	16	12	16	13
1/17/2019 4:00	117.67	4.25	6.4	15	17	20	21
1/17/2019 3:00	113	4.97	7.05	11	15	14	17
1/17/2019 2:00	83.92	4.03	6.2	11	7	12	7
1/17/2019 1:00	97.92	4.59	6.75	0	0	2	-1
1/17/2019 0:00	89.5	5.87	8.85	4	-2	3	3
1/16/2019 23:00	69.33	6.97	9.85	5	5	0	1
1/16/2019 22:00	64.33	7.92	11.68	7	-1	2	2
1/16/2019 21:00	66.42	7.54	11.44	1	-1	8	3
1/16/2019 20:00	62.25	7.38	11.01	7	4	4	2

Timestamp	Weather Station Wind Direction (°) (averaged hourly)	Weather Station Wind Speed (mi/hr) (averaged hourly)	Weather Station GUST (mi/hr) (averaged hourly)	E-BAM Plus Station 4 ConcHR ($\mu\text{g}/\text{m}^3$) (averaged hourly)	E-BAM Plus Station 1 ConcHR ($\mu\text{g}/\text{m}^3$) (averaged hourly)	E-BAM Plus Station 3 ConcHR ($\mu\text{g}/\text{m}^3$) (averaged hourly)	E-BAM Plus Station 2 ConcHR ($\mu\text{g}/\text{m}^3$) (averaged hourly)
1/16/2019 19:00	50.92	7.23	11.07	3	3	3	0
1/16/2019 18:00	44.5	7.79	11.87	6	7	5	4
1/16/2019 17:00	48.42	8.38	12.22	8	7	5	3
1/16/2019 16:00	39.42	9.3	14.25	28	32	20	22
1/16/2019 15:00	38	8.45	12.52	23	26	22	25
1/16/2019 14:00	10.58	8.56	12.13	24	13	12	13
1/16/2019 13:00	36.42	6.98	10.03	24	13	14	17
1/16/2019 12:00	94.08	7.96	12.05	17	15	24	16
1/16/2019 11:00	8.75	8.05	12.32	21	12	19	18
1/16/2019 10:00	179.17	8.24	13.41	21	14	20	17
1/16/2019 9:00	33.58	10.07	15.45	12	14	15	12
1/16/2019 8:00	92.25	10.71	16.75	10	13	9	9
1/16/2019 7:00	250.83	6.48	10.37	11	7	10	11
1/16/2019 6:00	316.08	3.83	6.15	10	8	13	9
1/16/2019 5:00	288.75	4.83	7.78	11	14	14	14
1/16/2019 4:00	266.75	4.82	7.8	14	11	12	15
1/16/2019 3:00	261.83	5.55	8.65	12	10	12	11
1/16/2019 2:00	258.83	7.86	10.97	13	9	9	8
1/16/2019 1:00	257.5	8.64	12.71	6	5	8	5
1/16/2019 0:00	246.25	9.07	13.25	8	1	11	7
1/15/2019 23:00	244.33	9.53	14.9	10	9	6	8
1/15/2019 22:00	241.83	10.86	17.35	6	9	6	9
1/15/2019 21:00	235.58	12.24	18.25	11	7	9	6
1/15/2019 20:00	234.5	11.89	18.15	8	7	8	13
1/15/2019 19:00	225.17	12.57	19.3	10	7	10	6
1/15/2019 18:00	237.25	11.99	18.85	15	11	5	14
1/15/2019 17:00	225.42	14.54	21.24	16	10	10	6
1/15/2019 16:00	230.08	13.12	20.2	11	5	15	11

Timestamp	Weather Station WInd Direction (°) (averaged hourly)	Weather Station Wind Speed (mi/hr) (averaged hourly)	Weather Station GUST (mi/hr) (averaged hourly)	E-BAM Plus Station 4 ConcHR ($\mu\text{g}/\text{m}^3$) (averaged hourly)	E-BAM Plus Station 1 ConcHR ($\mu\text{g}/\text{m}^3$) (averaged hourly)	E-BAM Plus Station 3 ConcHR ($\mu\text{g}/\text{m}^3$) (averaged hourly)	E-BAM Plus Station 2 ConcHR ($\mu\text{g}/\text{m}^3$) (averaged hourly)
1/15/2019 15:00	235.33	12.31	19	14	6	9	13
1/15/2019 14:00	241.67	12.47	18.4	16	12	13	11
1/15/2019 13:00	237.17	12.07	18.45	10	5	3	10
1/15/2019 12:00	246.83	11.34	17.3	10	14	12	7
1/15/2019 11:00	229.42	10.58	15.8	19	12	11	14
1/15/2019 10:00	215.58	10.38	14.8	27	16	22	18
1/15/2019 9:00	240.92	9.22	13.25	17	20	17	13
1/15/2019 8:00	246.58	8.43	12.41	11	12	12	13
1/15/2019 7:00	253.83	8.09	11.7	15	14	18	16
1/15/2019 6:00	257.5	9.73	13.66	17	15	16	16
1/15/2019 5:00	253.75	8.49	12.26	19	13	12	16
1/15/2019 4:00	258.67	7.47	10.86	12	12	16	12
1/15/2019 3:00	250.42	7.7	10.86	17	16	18	18
1/15/2019 2:00	259.08	7.02	10.62	22	23	25	19
1/15/2019 1:00	263.17	8.22	13.32	28	24	26	26
1/15/2019 0:00	264.42	7.22	11.68	26	24	23	23
1/14/2019 23:00	258.58	8.28	13.47	22	18	25	20
1/14/2019 22:00	252.25	10.29	14.8	20	17	17	17
1/14/2019 21:00	253.33	10.49	14.95	22	22	20	24
1/14/2019 20:00	248.17	8.64	13.28	19	21	19	20
1/14/2019 19:00	239	8.97	12.95	18	23	22	23
1/14/2019 18:00	246.42	8.95	13.55	21	24	28	16
1/14/2019 17:00	239.42	8.27	11.83	24	24	33	17
1/14/2019 16:00	233.33	8.26	12.01	33	25	43	34
1/14/2019 15:00	244.75	8.47	12.76	20	24	48	13
1/14/2019 14:00	243.75	8.62	12.52	16	9	34	12
1/14/2019 13:00	253.17	6.47	9.82	12	9	26	7
1/14/2019 12:00	262.58	6.13	8.89	24	9	34	13

Timestamp	Weather Station WInd Direction (°) (averaged hourly)	Weather Station Wind Speed (mi/hr) (averaged hourly)	Weather Station GUST (mi/hr) (averaged hourly)	E-BAM Plus Station 4 ConcHR ($\mu\text{g}/\text{m}^3$) (averaged hourly)	E-BAM Plus Station 1 ConcHR ($\mu\text{g}/\text{m}^3$) (averaged hourly)	E-BAM Plus Station 3 ConcHR ($\mu\text{g}/\text{m}^3$) (averaged hourly)	E-BAM Plus Station 2 ConcHR ($\mu\text{g}/\text{m}^3$) (averaged hourly)
1/14/2019 11:00	271.92	5.92	8.7	36	17	30	15
1/14/2019 10:00	261.75	5.15	7.7	40	17	24	15
1/14/2019 9:00	272.83	3.56	5.6	11	11	12	10
1/14/2019 8:00	265.58	4.33	5.75	14	12	14	11
1/14/2019 7:00	265.33	3.91	5.3	14	13	13	16
1/14/2019 6:00	293.08	5.21	7.9	9	11	10	9
1/14/2019 5:00	282.33	4.4	6.9	13	9	12	15
1/14/2019 4:00	265.92	4.26	5.65	14	15	9	13
1/14/2019 3:00	261	3.48	4.7	13	11	11	7
1/14/2019 2:00	262	3.27	4.65	7	3	6	10
1/14/2019 1:00	233.67	2.44	3.7	0	3	2	0
1/14/2019 0:00	255.08	2.82	4.1	0	1	4	2
1/13/2019 23:00	283.17	4.23	5.85	2	4	-2	1
1/13/2019 22:00	14.25	5.25	7.6	4	0	4	9
1/13/2019 21:00	13	6.15	9.04	4	4	5	3
1/13/2019 20:00	13.17	6.9	10.22	1	0	-1	-2
1/13/2019 19:00	10.75	7.48	11.57	6	3	6	9
1/13/2019 18:00	11.83	7.42	11.1	5	8	2	4
1/13/2019 17:00	14.92	8.93	13.9	-1	3	0	-2
1/13/2019 16:00	20.58	10.72	15.15	7	2	-1	1
1/13/2019 15:00	24.92	11.45	16.3	5	2	-1	1
1/13/2019 14:00	25.5	11.21	15.5	3	1	3	2
1/13/2019 13:00	34.83	10.21	14.65	4	4	2	4
1/13/2019 12:00	40.5	9.63	14.3	9	8	10	8
1/13/2019 11:00	47.17	9.83	15.25	11	14	7	12
1/13/2019 10:00	46.92	11.13	16.65	8	8	5	7
1/13/2019 9:00	50.17	10.14	15.95	2	8	8	6
1/13/2019 8:00	49.25	10.5	15.9	4	7	12	10

Timestamp	Weather Station WInd Direction (°) (averaged hourly)	Weather Station Wind Speed (mi/hr) (averaged hourly)	Weather Station GUST (mi/hr) (averaged hourly)	E-BAM Plus Station 4 ConcHR ($\mu\text{g}/\text{m}^3$) (averaged hourly)	E-BAM Plus Station 1 ConcHR ($\mu\text{g}/\text{m}^3$) (averaged hourly)	E-BAM Plus Station 3 ConcHR ($\mu\text{g}/\text{m}^3$) (averaged hourly)	E-BAM Plus Station 2 ConcHR ($\mu\text{g}/\text{m}^3$) (averaged hourly)
1/13/2019 7:00	62.5	10.77	16.75	5	9	8	6
1/13/2019 6:00	66.83	11.56	17.75	7	8	5	9
1/13/2019 5:00	67.25	11.81	18.25	11	9	8	4
1/13/2019 4:00	68.83	12.68	19.1	8	11	9	10
1/13/2019 3:00	68.92	12.76	19.3	14	15	16	12
1/13/2019 2:00	69.17	12.79	19.85	10	8	9	13
1/13/2019 1:00	71.08	12.33	19.15	11	3	4	8
1/13/2019 0:00	74.75	12.85	19.5	11	9	7	11
1/12/2019 23:00	73.75	13.2	20.85	9	7	11	6
1/12/2019 22:00	75.25	13.33	21.09	11	6	16	14
1/12/2019 21:00	74.75	13.31	20.75	15	13	17	12
1/12/2019 20:00	76.5	13.44	21	16	14	16	17
1/12/2019 19:00	77.75	13.49	20.9	13	6	20	12
1/12/2019 18:00	80.25	13.28	20.3	12	11	16	14
1/12/2019 17:00	76.25	13.03	20.5	17	17	15	9
1/12/2019 16:00	73.17	12.37	19.2	10	8	12	13
1/12/2019 15:00	70.25	12.4	18.45	25	32	24	23
1/12/2019 14:00	69.25	11.32	16.85	17	25	19	22
1/12/2019 13:00	90	8.19	12.42	20	19	23	18
1/12/2019 12:00	109	9.89	14.2	27	30	25	27
1/12/2019 11:00	111	8.46	12.26	35	54	33	36
1/12/2019 10:00	112.17	8.56	12.47	43	42	49	37
1/12/2019 9:00	110.83	4.05	6.1	41	62	44	38
1/12/2019 8:00	122.92	4.67	7.05	36	35	40	43
1/12/2019 7:00	116.25	5.53	8.3	28	26	42	31
1/12/2019 6:00	115.5	6.12	9.05	24	27	30	27
1/12/2019 5:00	109.5	4.18	6.1	28	22	25	21
1/12/2019 4:00	105.08	4.02	6.05	34	22	23	22

Timestamp	Weather Station WInd Direction (°) (averaged hourly)	Weather Station Wind Speed (mi/hr) (averaged hourly)	Weather Station GUST (mi/hr) (averaged hourly)	E-BAM Plus Station 4 ConcHR ($\mu\text{g}/\text{m}^3$) (averaged hourly)	E-BAM Plus Station 1 ConcHR ($\mu\text{g}/\text{m}^3$) (averaged hourly)	E-BAM Plus Station 3 ConcHR ($\mu\text{g}/\text{m}^3$) (averaged hourly)	E-BAM Plus Station 2 ConcHR ($\mu\text{g}/\text{m}^3$) (averaged hourly)
1/12/2019 3:00	122.92	3.61	5.3	35	23	20	17
1/12/2019 2:00	130.42	4.26	6.55	32	19	18	18
1/12/2019 1:00	145.92	4.72	7.35	29	16	16	13
1/12/2019 0:00	136.08	4.63	7.5	30	21	20	15
1/11/2019 23:00	137.42	5.08	7.84	35	13	18	14
1/11/2019 22:00	143.33	5.78	9.82	35	20	19	16
1/11/2019 21:00	139.75	6.38	10.56	31	19	26	17
1/11/2019 20:00	150.92	6.42	9.34	31	18	32	24
1/11/2019 19:00	146.5	4.94	7.8	33	17	34	20
1/11/2019 18:00	158.17	6.04	8.95	34	20	30	22
1/11/2019 17:00	168.17	5.82	8.45	35	46	36	27
1/11/2019 16:00	165.17	7.38	11	37	54	35	29
1/11/2019 15:00	161.67	6.98	10.7	34	50	38	29
1/11/2019 14:00	174.83	7.28	10.53	30	40	27	26
1/11/2019 13:00	171.5	8.38	12.57	24	29	29	29
1/11/2019 12:00	174.75	8.48	12.2	45	37	31	25
1/11/2019 11:00	155.08	8.23	12.28	31	43	36	42
1/11/2019 10:00	161.25	9.47	13.75	38	52	45	46
1/11/2019 9:00	174.33	9.03	13.3	38	61	40	27
1/11/2019 8:00	189	4.48	7.18	31	27	38	31
1/11/2019 7:00	200.08	3.7	5.65	28	18	42	25
1/11/2019 6:00	202.67	3.61	5.1	25	26	33	27
1/11/2019 5:00	215.92	3.66	4.85	30	29	27	30
1/11/2019 4:00	303.25	1.93	2.95	25	30	30	20
1/11/2019 3:00	264.5	3.72	5.4	23	24	26	26
1/11/2019 2:00	269.58	4.53	6.35	26	26	21	18
1/11/2019 1:00	256.83	5.08	6.75	16	18	20	16
1/11/2019 0:00	256.92	5.33	7	20	24	18	22

Timestamp	Weather Station WInd Direction (°) (averaged hourly)	Weather Station Wind Speed (mi/hr) (averaged hourly)	Weather Station GUST (mi/hr) (averaged hourly)	E-BAM Plus Station 4 ConcHR ($\mu\text{g}/\text{m}^3$) (averaged hourly)	E-BAM Plus Station 1 ConcHR ($\mu\text{g}/\text{m}^3$) (averaged hourly)	E-BAM Plus Station 3 ConcHR ($\mu\text{g}/\text{m}^3$) (averaged hourly)	E-BAM Plus Station 2 ConcHR ($\mu\text{g}/\text{m}^3$) (averaged hourly)
1/10/2019 23:00	289.75	3.64	5.3	19	17	14	14
1/10/2019 22:00	321.17	4.73	6.65	22	25	24	22
1/10/2019 21:00	201.83	3.2	5.25	25	23	26	25
1/10/2019 20:00	247.08	2.73	4	20	18	23	21
1/10/2019 19:00	267.92	2.83	4	30	21	23	26
1/10/2019 18:00	189.17	2.16	3.9	34	27	32	49
1/10/2019 17:00	205.92	2.78	4.55	42	28	31	33
1/10/2019 16:00	282.92	3.02	4.95	45	36	41	55
1/10/2019 15:00	290.33	4.22	6.35	38	31	46	45
1/10/2019 14:00	280.17	4.78	7.35	28	25	29	31
1/10/2019 13:00	283.08	6.32	9.09	42	29	35	36
1/10/2019 12:00	286.58	6.35	9.73	44	36	34	33
1/10/2019 11:00	278.83	6.58	9.45	33	33	28	24
1/10/2019 10:00	289.33	6.74	10.08	48	27	20	23
1/10/2019 9:00	295.42	7.62	11.03	28	13	20	15
1/10/2019 8:00	297.33	7.38	10.94	9	3	7	3
1/10/2019 7:00	301.75	7.5	11.09	7	3	11	7
1/10/2019 6:00	296.58	7.36	11.67	5	5	4	3
1/10/2019 5:00	299.92	6.96	11.02	9	14	4	8
1/10/2019 4:00	298.75	7.58	11.58	13	7	5	8
1/10/2019 3:00	297	7	11.46	11	10	7	8
1/10/2019 2:00	317	7.64	12.49	9	10	6	9
1/10/2019 1:00	318.83	9.33	14.26	11	9	10	9
1/10/2019 0:00	318.67	9.43	14.85	15	13	11	15
1/9/2019 23:00	323.75	10.43	15.37	19	16	16	17
1/9/2019 22:00	328.75	9.78	14.9	14	16	17	10
1/9/2019 21:00	333.75	9.3	14.26	15	12	11	14
1/9/2019 20:00	327.67	8.38	12.86	16	14	17	15

Timestamp	Weather Station Wind Direction (°) (averaged hourly)	Weather Station Wind Speed (mi/hr) (averaged hourly)	Weather Station GUST (mi/hr) (averaged hourly)	E-BAM Plus Station 4 ConcHR ($\mu\text{g}/\text{m}^3$) (averaged hourly)	E-BAM Plus Station 1 ConcHR ($\mu\text{g}/\text{m}^3$) (averaged hourly)	E-BAM Plus Station 3 ConcHR ($\mu\text{g}/\text{m}^3$) (averaged hourly)	E-BAM Plus Station 2 ConcHR ($\mu\text{g}/\text{m}^3$) (averaged hourly)
1/9/2019 19:00	331.5	7.77	11.83	22	13	21	18
1/9/2019 18:00	323.83	8.43	13.16	34	17	24	20
1/9/2019 17:00	322.92	9.64	14.56	36	18	29	30
1/9/2019 16:00	304.75	9.71	15.95	57	22	41	55
1/9/2019 15:00	297.75	10.43	16.7	65	22	46	48
1/9/2019 14:00	299.5	10.47	15.7	62	24	41	50
1/9/2019 13:00	302.92	11.14	18.05	87	17	50	64
1/9/2019 12:00	304.58	11.6	18.85	103	18	57	60
1/9/2019 11:00	308.25	12.75	20.45	91	14	56	49
1/9/2019 10:00	303.58	11.67	18.5	86	10	62	64
1/9/2019 9:00	299.58	11.69	18.95	62	8	74	65
1/9/2019 8:00	304.5	12.72	21.64	22	10	18	17
1/9/2019 7:00	291.83	10.4	16.5	11	8	7	10
1/9/2019 6:00	289.67	12.17	20.8	9	5	11	9
1/9/2019 5:00	294.83	12.13	20.05	9	9	15	7
1/9/2019 4:00	288.83	12.36	19.05	11	9	18	9
1/9/2019 3:00	290.92	11.1	17.25	10	9	18	11
1/9/2019 2:00	288.5	11.96	20.1	12	8	17	9
1/9/2019 1:00	290.67	13.31	21.82	4	3	8	8
1/9/2019 0:00	282.33	12.94	21.08	12	11	11	9
1/8/2019 23:00	290	13.28	22.03	19	19	17	18
1/8/2019 22:00	281.92	15.12	23.96	19	12	11	10
1/8/2019 21:00	285.58	14.93	24.26	27	15	16	17
1/8/2019 20:00	288.33	14.84	25.21	21	10	18	28
1/8/2019 19:00	280.75	15.75	26.49	38	15	34	43
1/8/2019 18:00	277.92	14.84	24.9	60	28	76	97
1/8/2019 17:00	280.17	16.16	25	106	24	63	79
1/8/2019 16:00	272.42	14.89	25.23	94	17	67	67

Timestamp	Weather Station WInd Direction (°) (averaged hourly)	Weather Station Wind Speed (mi/hr) (averaged hourly)	Weather Station GUST (mi/hr) (averaged hourly)	E-BAM Plus Station 4 ConcHR ($\mu\text{g}/\text{m}^3$) (averaged hourly)	E-BAM Plus Station 1 ConcHR ($\mu\text{g}/\text{m}^3$) (averaged hourly)	E-BAM Plus Station 3 ConcHR ($\mu\text{g}/\text{m}^3$) (averaged hourly)	E-BAM Plus Station 2 ConcHR ($\mu\text{g}/\text{m}^3$) (averaged hourly)
1/8/2019 15:00	283.5	16.43	26.98	69	13	51	49
1/8/2019 14:00	281.08	14.75	23.5	39	14	22	25
1/8/2019 13:00	295.67	13.82	22.67	36	12	24	25
1/8/2019 12:00	305.92	13.21	21.02	18	16	16	8
1/8/2019 11:00	298.58	13.41	21.83	6	8	7	13
1/8/2019 10:00	260.17	11.05	17.4	16	23	22	21
1/8/2019 9:00	226.58	8.19	12.25	19	25	19	17
1/8/2019 8:00	160	4.42	6.55	17	16	22	11
1/8/2019 7:00	196.75	6.33	9.48	19	17	19	19
1/8/2019 6:00	204.42	7.36	10.28	17	20	19	15
1/8/2019 5:00	246.58	6.27	9.09	22	23	15	21
1/8/2019 4:00	252.83	7.33	10.38	18	20	20	13
1/8/2019 3:00	214.17	8.05	11.89	17	22	18	18
1/8/2019 2:00	249.33	5.06	7.3	17	14	24	14
1/8/2019 1:00	238.58	6.41	9.28	16	14	16	16
1/8/2019 0:00	254.42	7.85	11.43	19	16	19	19
1/7/2019 23:00	254.08	7.51	11.13	19	17	16	11
1/7/2019 22:00	258.67	7.33	11.43	15	14	12	13
1/7/2019 21:00	259.25	12.92	19.59	11	8	9	3
1/7/2019 20:00	261.5	12.68	20.59	7	7	11	5
1/7/2019 19:00	258.83	15.29	23.38	13	5	11	11
1/7/2019 18:00	245.5	13.94	21.93	12	6	20	12
1/7/2019 17:00	229.33	12.61	19.6	13	13	12	8
1/7/2019 16:00	238	14.22	22.22	11	24	21	9
1/7/2019 15:00	215.75	19.43	29.25	8	19	11	4
1/7/2019 14:00	203.75	18.2	29.07	6	13	7	5
1/7/2019 13:00	193.08	16.84	27.11	14	33	6	14
1/7/2019 12:00	175.08	15.22	23.43	15	30	8	15

Timestamp	Weather Station WInd Direction (°) (averaged hourly)	Weather Station Wind Speed (mi/hr) (averaged hourly)	Weather Station GUST (mi/hr) (averaged hourly)	E-BAM Plus Station 4 ConcHR ($\mu\text{g}/\text{m}^3$) (averaged hourly)	E-BAM Plus Station 1 ConcHR ($\mu\text{g}/\text{m}^3$) (averaged hourly)	E-BAM Plus Station 3 ConcHR ($\mu\text{g}/\text{m}^3$) (averaged hourly)	E-BAM Plus Station 2 ConcHR ($\mu\text{g}/\text{m}^3$) (averaged hourly)
1/7/2019 11:00	166.42	15.03	22.35	20	38	17	27
1/7/2019 10:00	161.08	14.15	21.9	18	36	16	21
1/7/2019 9:00	158.08	15.63	24.07	17	26	10	17
1/7/2019 8:00	147.58	12.45	20.1	17	12	11	12
1/7/2019 7:00	152.5	14.61	23.42	20	6	12	11
1/7/2019 6:00	145.67	15.37	26.13	16	9	11	7
1/7/2019 5:00	147.17	16.48	25.98	19	9	7	5
1/7/2019 4:00	146.83	14.89	24.4	19	7	7	7
1/7/2019 3:00	143.5	14.05	24.12	20	15	12	13
1/7/2019 2:00	140.17	14.45	24.07	15	14	15	7
1/7/2019 1:00	136.67	13.93	23.22	14	7	9	9
1/7/2019 0:00	132.92	10.07	17.45	10	9	7	9
1/6/2019 23:00	130.83	10.43	17.1	12	8	11	7
1/6/2019 22:00	128.75	11.71	19.2	11	11	16	8
1/6/2019 21:00	118.92	12.43	19.25	14	10	13	10
1/6/2019 20:00	116.92	9.53	14.85	7	13	16	11
1/6/2019 19:00	112.83	9.96	14.78	5	6	10	6
1/6/2019 18:00	100	11	16.66	4	7	2	2
1/6/2019 17:00	68.5	8.56	12.56	0	6	0	2
1/6/2019 16:00	61.08	8.39	12.75	6	0	11	4
1/6/2019 15:00	59.25	8.82	13.35	7	4	7	0
1/6/2019 14:00	53.92	9.14	14	9	8	7	6
1/6/2019 13:00	61.17	9.72	14.6	6	8	10	10
1/6/2019 12:00	73.33	10.45	15.4	3	7	6	6
1/6/2019 11:00	77.17	10.92	16.6	1	7	8	6
1/6/2019 10:00	76.42	10.72	16.55	-2	11	4	0
1/6/2019 9:00	75.75	9.49	14.45	-3	3	-1	0
1/6/2019 8:00	46.25	8.27	12.9	0	1	4	6

Timestamp	Weather Station WInd Direction (°) (averaged hourly)	Weather Station Wind Speed (mi/hr) (averaged hourly)	Weather Station GUST (mi/hr) (averaged hourly)	E-BAM Plus Station 4 ConcHR ($\mu\text{g}/\text{m}^3$) (averaged hourly)	E-BAM Plus Station 1 ConcHR ($\mu\text{g}/\text{m}^3$) (averaged hourly)	E-BAM Plus Station 3 ConcHR ($\mu\text{g}/\text{m}^3$) (averaged hourly)	E-BAM Plus Station 2 ConcHR ($\mu\text{g}/\text{m}^3$) (averaged hourly)
1/6/2019 7:00	41.5	7.61	11.09	3	-3	2	3
1/6/2019 6:00	41.92	6.65	10.22	6	5	5	9
1/6/2019 5:00	29.67	6.97	10.03	11	9	4	9
1/6/2019 4:00	24.83	7.7	10.91	13	9	11	9
1/6/2019 3:00	17.42	7.68	11.23	19	13	13	16
1/6/2019 2:00	13.5	6.25	9.09	17	17	17	20
1/6/2019 1:00	117.25	6.82	10.49	12	15	11	12
1/6/2019 0:00	323.33	4.93	6.6	20	21	16	14
1/5/2019 23:00	313.5	4.22	6.25	19	18	15	15
1/5/2019 22:00	281.08	5.93	8.55	11	13	12	13
1/5/2019 21:00	280.5	5.12	8.1	13	17	13	19
1/5/2019 20:00	260.25	5.93	8.64	17	21	14	12
1/5/2019 19:00	257.17	6.64	9.35	19	25	28	19
1/5/2019 18:00	253	5.91	7.95	16	20	20	18
1/5/2019 17:00	254.83	6.72	9.43	7	10	11	13
1/5/2019 16:00	256.17	7.55	10.65	10	11	16	18
1/5/2019 15:00	248.67	9.57	14	18	19	21	19
1/5/2019 14:00	249.25	10.5	15.25	19	24	24	28
1/5/2019 13:00	229.83	10.68	15.3	23	17	25	24
1/5/2019 12:00	246	9.28	13.17	16	24	20	19
1/5/2019 11:00	249.08	8.99	13.01	18	16	21	14
1/5/2019 10:00	244.17	7.42	10.52	14	13	12	13
1/5/2019 9:00	243.25	6.55	9.49	13	16	14	14
1/5/2019 8:00	254.67	5.74	8	15	17	22	18
1/5/2019 7:00	255	5.07	6.9	21	16	22	14
1/5/2019 6:00	246.08	5.25	7.4	18	18	17	15
1/5/2019 5:00	251.33	3.98	5.35	19	24	20	21
1/5/2019 4:00	250.92	3.41	5	30	23	24	22

Timestamp	Weather Station Wind Direction (°) (averaged hourly)	Weather Station Wind Speed (mi/hr) (averaged hourly)	Weather Station GUST (mi/hr) (averaged hourly)	E-BAM Plus Station 4 ConcHR ($\mu\text{g}/\text{m}^3$) (averaged hourly)	E-BAM Plus Station 1 ConcHR ($\mu\text{g}/\text{m}^3$) (averaged hourly)	E-BAM Plus Station 3 ConcHR ($\mu\text{g}/\text{m}^3$) (averaged hourly)	E-BAM Plus Station 2 ConcHR ($\mu\text{g}/\text{m}^3$) (averaged hourly)
1/5/2019 3:00	257	2.94	4.6	25	21	25	24
1/5/2019 2:00	283.25	2.87	4.85	19	20	28	23
1/5/2019 1:00	286.08	4.41	6.15	21	20	19	14
1/5/2019 0:00	295	4.04	5.95	25	14	21	24
1/4/2019 23:00	296.75	5.41	8.28	24	26	23	19
1/4/2019 22:00	287.08	4.58	6.95	27	27	25	26
1/4/2019 21:00	289.25	3.83	5.8	31	31	32	28
1/4/2019 20:00	280.83	3.8	5.85	34	39	39	39
1/4/2019 19:00	259.83	4.54	6.4	27	39	34	30
1/4/2019 18:00	261	5	6.65	23	37	28	24
1/4/2019 17:00	256	4.73	6.3	21	29	30	21
1/4/2019 16:00	257.67	6.65	9.15	27	29	60	40
1/4/2019 15:00	259.5	6.22	8.9	28	42	75	42
1/4/2019 14:00	257.25	7.07	9.97	28	53	49	35
1/4/2019 13:00	231.75	7.54	10.87	29	34	37	27
1/4/2019 12:00	232.17	7.74	11.49	28	44	29	25
1/4/2019 11:00	236.75	7.38	10.38	21	47	17	22
1/4/2019 10:00	247.75	6.58	9.64	13	70	12	17
1/4/2019 9:00	228.42	7.81	11.34	16	27	14	14
1/4/2019 8:00	205	8.73	12.52	15	19	18	18
1/4/2019 7:00	213.33	9.32	13.31	14	15	17	14
1/4/2019 6:00	206.75	7.83	11.17	12	14	15	15
1/4/2019 5:00	213.75	9.44	13.65	7	17	17	12
1/4/2019 4:00	212.42	9.1	13.11	6	16	12	14
1/4/2019 3:00	212.42	8.97	13.31	8	11	12	9
1/4/2019 2:00	209.25	9.59	14.55	16	12	11	11
1/4/2019 1:00	224	8.8	13.71	9	10	11	6
1/4/2019 0:00	223.75	9.16	13.85	15	9	14	8

Timestamp	Weather Station Wind Direction (°) (averaged hourly)	Weather Station Wind Speed (mi/hr) (averaged hourly)	Weather Station GUST (mi/hr) (averaged hourly)	E-BAM Plus Station 4 ConcHR ($\mu\text{g}/\text{m}^3$) (averaged hourly)	E-BAM Plus Station 1 ConcHR ($\mu\text{g}/\text{m}^3$) (averaged hourly)	E-BAM Plus Station 3 ConcHR ($\mu\text{g}/\text{m}^3$) (averaged hourly)	E-BAM Plus Station 2 ConcHR ($\mu\text{g}/\text{m}^3$) (averaged hourly)
1/3/2019 23:00	222.5	10.78	16.6	10	13	10	13
1/3/2019 22:00	217.83	12.64	18.1	12	11	12	11
1/3/2019 21:00	217.17	12.94	20.2	7	14	15	7
1/3/2019 20:00	209.17	12.98	19.25	8	8	12	17
1/3/2019 19:00	203.75	11.43	18.1	10	11	16	15
1/3/2019 18:00	201.42	10.92	16.3	15	26	20	15
1/3/2019 17:00	204.33	10.88	16.55	16	47	29	16
1/3/2019 16:00	210.42	11.85	17.1	25	100	28	26
1/3/2019 15:00	215	13.35	19.4	19	79	28	19
1/3/2019 14:00	229.42	12.43	18.15	20	36	29	15
1/3/2019 13:00	226.75	12.38	18.3	20	13	33	14
1/3/2019 12:00	221.83	11.34	16.7	20	23	26	19
1/3/2019 11:00	220.58	11.47	16.65	15	22	15	21
1/3/2019 10:00	218.42	11.71	16.55	20	19	9	20
1/3/2019 9:00	216.08	9.57	14	16	17	13	12
1/3/2019 8:00	216.17	8.27	11.88	14	14	16	15
1/3/2019 7:00	234.17	8.22	12.47	13	10	9	14
1/3/2019 6:00	225	8.58	13.65	12	12	10	10
1/3/2019 5:00	218.17	8.51	12.28	12	19	16	14
1/3/2019 4:00	219.75	8.85	13.38	16	8	10	11
1/3/2019 3:00	232.42	8.46	13.02	16	12	7	13
1/3/2019 2:00	242.83	8.91	13.4	12	11	13	11
1/3/2019 1:00	246.83	8.29	12.81	7	6	9	10
1/3/2019 0:00	255.08	9.06	13.47	7	10	8	6
1/2/2019 23:00	256.58	11.74	17	11	11	9	4
1/2/2019 22:00	256.25	11.35	16.65	11	6	6	6
1/2/2019 21:00	261.17	11.32	17.9	8	3	8	7
1/2/2019 20:00	253.67	11.6	17.75	8	6	4	5

Timestamp	Weather Station Wind Direction (°) (averaged hourly)	Weather Station Wind Speed (mi/hr) (averaged hourly)	Weather Station GUST (mi/hr) (averaged hourly)	E-BAM Plus Station 4 ConcHR ($\mu\text{g}/\text{m}^3$) (averaged hourly)	E-BAM Plus Station 1 ConcHR ($\mu\text{g}/\text{m}^3$) (averaged hourly)	E-BAM Plus Station 3 ConcHR ($\mu\text{g}/\text{m}^3$) (averaged hourly)	E-BAM Plus Station 2 ConcHR ($\mu\text{g}/\text{m}^3$) (averaged hourly)
1/2/2019 19:00	241.33	10.63	16.8	4	0	7	4
1/2/2019 18:00	243.75	11.88	18.59	4	5	11	6
1/2/2019 17:00	251.25	11.75	17.25	10	8	7	7
1/2/2019 16:00	244.25	12.21	18.45	55	12	11	18
1/2/2019 15:00	226.75	12.29	18.75	40	11	5	11
1/2/2019 14:00	233.83	12.32	19.4	13	9	2	12
1/2/2019 13:00	235.33	12.78	20.14	9	14	4	6
1/2/2019 12:00	229.33	11.82	18.2	23	35	20	19
1/2/2019 11:00	205.5	9.33	13.41	22	37	20	20
1/2/2019 10:00	186.83	5.48	8	23	28	16	17
1/2/2019 9:00	179.08	6.05	8.4	15	21	14	12
1/2/2019 8:00	182.5	6.12	8.75	23	16	31	21
1/2/2019 7:00	190.17	5.28	7.45	21	19	34	24
1/2/2019 6:00	198.67	4.74	6.9	18	17	18	20
1/2/2019 5:00	236.75	4.38	6.5	26	22	22	20
1/2/2019 4:00	265.58	3.7	5.2	24	24	29	25
1/2/2019 3:00	254.83	1.81	2.7	22	23	24	21
1/2/2019 2:00	263.42	1.1	1.75	20	18	24	22
1/2/2019 1:00	274.42	2.68	4	16	18	16	15
1/2/2019 0:00	302.67	3.23	4.75	19	14	19	19
1/1/2019 23:00	318.33	4.23	6.3	16	12	13	18
1/1/2019 22:00	312.33	4.7	6.7	13	11	14	16
1/1/2019 21:00	300.42	3.98	5.85	16	13	8	10
1/1/2019 20:00	306.5	4.51	6.75	8	9	7	7
1/1/2019 19:00	317.33	4.59	6.6	5	3	6	8
1/1/2019 18:00	306.58	4.63	7	3	5	4	1
1/1/2019 17:00	334.75	6.99	10.4	4	9	4	0
1/1/2019 16:00	346.67	8.76	13.76	9	4	5	4

Timestamp	Weather Station WInd Direction (°) (averaged hourly)	Weather Station Wind Speed (mi/hr) (averaged hourly)	Weather Station GUST (mi/hr) (averaged hourly)	E-BAM Plus Station 4 ConcHR ($\mu\text{g}/\text{m}^3$) (averaged hourly)	E-BAM Plus Station 1 ConcHR ($\mu\text{g}/\text{m}^3$) (averaged hourly)	E-BAM Plus Station 3 ConcHR ($\mu\text{g}/\text{m}^3$) (averaged hourly)	E-BAM Plus Station 2 ConcHR ($\mu\text{g}/\text{m}^3$) (averaged hourly)
1/1/2019 15:00	292.92	9.89	15.4	3	6	5	7
1/1/2019 14:00	264.25	10.82	16.45	7	3	4	3
1/1/2019 13:00	265.17	9.15	14.62	6	-1	5	7
1/1/2019 12:00	348.58	8.23	12.91	5	4	2	7
1/1/2019 11:00	120.25	7.52	13.01	4	6	-1	1
1/1/2019 10:00	5.83	3.74	6.62	0	1	1	4
1/1/2019 9:00	6.25	0.6	0.6	-2	7	-1	-3
1/1/2019 8:00	179.17	0.6	0.6	0	-2	-1	-1
1/1/2019 7:00	210	0.6	0.6	7	5	5	8
1/1/2019 6:00	35	6.97	11.64	9	11	7	11
1/1/2019 5:00	256.92	7.78	11.89	10	6	6	8
1/1/2019 4:00	340	5.61	8.9	5	12	8	10
1/1/2019 3:00	325.5	7.57	11.48	7	4	8	8
1/1/2019 2:00	319.83	6.47	10.07	1	2	6	3
1/1/2019 1:00	322.17	7.34	11.4	0	4	2	0
1/1/2019 0:00	299.5	7	11.43	6	8	6	3
12/31/2018 23:00	297.58	7.07	11.33	7	9	2	2
12/31/2018 22:00	309.5	8.32	13.36	4	1	3	1
12/31/2018 21:00	315.83	9.87	16.2	1	7	5	6
12/31/2018 20:00	343.75	13.94	24.17	1	-2	0	-3
12/31/2018 19:00	351	15.18	25.92	12	0	7	10
12/31/2018 18:00	324	10.34	16.2	12	9	13	12
12/31/2018 17:00	299.5	5.77	8.82	3	0	8	5
12/31/2018 16:00	117.83	7.83	11.99	8	24	3	8
12/31/2018 15:00	37.25	7.71	11.7	9	7	7	7
12/31/2018 14:00	26.92	9.94	15.01	20	10	14	34
12/31/2018 13:00	22.42	7.5	10.65	14	13	15	15
12/31/2018 12:00	55.42	3.68	5.2	25	35	25	24

Timestamp	Weather Station Wind Direction (°) (averaged hourly)	Weather Station Wind Speed (mi/hr) (averaged hourly)	Weather Station GUST (mi/hr) (averaged hourly)	E-BAM Plus Station 4 ConcHR ($\mu\text{g}/\text{m}^3$) (averaged hourly)	E-BAM Plus Station 1 ConcHR ($\mu\text{g}/\text{m}^3$) (averaged hourly)	E-BAM Plus Station 3 ConcHR ($\mu\text{g}/\text{m}^3$) (averaged hourly)	E-BAM Plus Station 2 ConcHR ($\mu\text{g}/\text{m}^3$) (averaged hourly)
12/31/2018 11:00	109.92	5	7.5	16	17	25	21
12/31/2018 10:00	118.25	5.78	8.75	22	25	20	18
12/31/2018 9:00	120.17	5.35	8.1	12	19	9	10
12/31/2018 8:00	129.08	4.96	7.45	30	16	26	17
12/31/2018 7:00	128.75	4.41	6.8	27	13	33	16
12/31/2018 6:00	145.25	4.38	6.25	21	14	10	9
12/31/2018 5:00	163.42	6.38	9.03	22	19	13	11
12/31/2018 4:00	165.83	4.54	6.5	16	10	17	20
12/31/2018 3:00	171.67	4.57	6.7	22	15	12	10
12/31/2018 2:00	169.58	5.22	7.49	21	14	16	14
12/31/2018 1:00	174.83	6.42	9.48	10	8	8	7
12/31/2018 0:00	182.92	9.12	13.85	14	12	13	13
12/30/2018 23:00	185.5	8.82	12.7	13	15	9	9
12/30/2018 22:00	185.83	8.35	12.31	15	12	21	18
12/30/2018 21:00	192.58	10.1	15.7	13	9	8	9
12/30/2018 20:00	191	10.38	16.2	15	12	12	12
12/30/2018 19:00	189	12.03	18.15	11	6	14	10
12/30/2018 18:00	185.5	11.71	18.05	20	19	19	14
12/30/2018 17:00	187	10.07	15	13	15	12	12
12/30/2018 16:00	201.83	12.1	18.1	13	16	17	13
12/30/2018 15:00	203.25	13.07	19.45	12	13	13	13
12/30/2018 14:00	205.08	13.13	18.85	17	17	24	19
12/30/2018 13:00	203.08	13.61	19.75	18	16	18	18
12/30/2018 12:00	199.92	13.45	19.15	15	14	43	15
12/30/2018 11:00	204	12.74	17.55	10	13	16	13
12/30/2018 10:00	200.92	10.82	15.45	10	8	6	9
12/30/2018 9:00	202.75	8.6	12.72	14	16	14	11
12/30/2018 8:00	203.42	7.72	10.94	12	12	14	16

Timestamp	Weather Station Wind Direction (°) (averaged hourly)	Weather Station Wind Speed (mi/hr) (averaged hourly)	Weather Station GUST (mi/hr) (averaged hourly)	E-BAM Plus Station 4 ConcHR ($\mu\text{g}/\text{m}^3$) (averaged hourly)	E-BAM Plus Station 1 ConcHR ($\mu\text{g}/\text{m}^3$) (averaged hourly)	E-BAM Plus Station 3 ConcHR ($\mu\text{g}/\text{m}^3$) (averaged hourly)	E-BAM Plus Station 2 ConcHR ($\mu\text{g}/\text{m}^3$) (averaged hourly)
12/30/2018 7:00	215.17	7.38	11.11	13	6	14	6
12/30/2018 6:00	223.92	8.47	12.43	14	8	12	19
12/30/2018 5:00	233.25	10.29	15.2	11	14	12	7
12/30/2018 4:00	227.33	10.1	15.7	10	11	12	10
12/30/2018 3:00	230.75	11.93	17.6	12	6	12	10
12/30/2018 2:00	230	11.88	17.4	11	14	11	12
12/30/2018 1:00	234	13.67	19.85	11	2	4	8
12/30/2018 0:00	231.25	13.24	20.49	11	8	7	9
12/29/2018 23:00	236.75	12.36	18.9	14	10	14	8
12/29/2018 22:00	223.83	12.82	18.95	9	10	9	10
12/29/2018 21:00	225	12.06	17.9	5	6	9	7
12/29/2018 20:00	233.83	11.66	16.85	9	10	8	8
12/29/2018 19:00	213.58	9.23	13.06	11	4	9	9
12/29/2018 18:00	215.58	9.88	14.26	18	9	17	13
12/29/2018 17:00	221.08	9	13.61	8	16	14	11
12/29/2018 16:00	205.92	8.44	11.97	10	11	13	8
12/29/2018 15:00	208.25	6.36	9.25	15	14	11	9
12/29/2018 14:00	228.75	6.42	9.4	12	9	13	12
12/29/2018 13:00	230.42	5.84	8.35	11	10	8	14
12/29/2018 12:00	255.92	4.47	6.5	9	17	17	10
12/29/2018 11:00	319.92	3.63	5	17	10	10	14
12/29/2018 10:00	315.5	3.11	4.45	9	13	12	7
12/29/2018 9:00	305.92	3.77	5.5	5	8	3	4
12/29/2018 8:00	306.5	4	6.15	10	6	10	6
12/29/2018 7:00	314	3.76	5.55	9	1	7	10
12/29/2018 6:00	284	4.19	6.35	8	6	6	9
12/29/2018 5:00	268.5	4.34	6.4	7	10	12	7
12/29/2018 4:00	275.25	4.82	7.44	10	13	4	9

Timestamp	Weather Station WInd Direction (°) (averaged hourly)	Weather Station Wind Speed (mi/hr) (averaged hourly)	Weather Station GUST (mi/hr) (averaged hourly)	E-BAM Plus Station 4 ConcHR ($\mu\text{g}/\text{m}^3$) (averaged hourly)	E-BAM Plus Station 1 ConcHR ($\mu\text{g}/\text{m}^3$) (averaged hourly)	E-BAM Plus Station 3 ConcHR ($\mu\text{g}/\text{m}^3$) (averaged hourly)	E-BAM Plus Station 2 ConcHR ($\mu\text{g}/\text{m}^3$) (averaged hourly)
12/29/2018 3:00	261.5	7.1	10.95	4	3	8	4
12/29/2018 2:00	268.67	6.45	10.91	6	2	4	6
12/29/2018 1:00	261	8.49	13.46	3	3	2	-2
12/29/2018 0:00	256.83	10.79	16	5	3	6	2
12/28/2018 23:00	258	11.43	17.05	4	11	8	11
12/28/2018 22:00	256	13.31	20.15	12	4	2	0
12/28/2018 21:00	256.25	12.38	19.45	3	6	6	8
12/28/2018 20:00	254.5	13.45	20.45	9	6	7	7
12/28/2018 19:00	256.42	15.48	23.87	4	3	9	9
12/28/2018 18:00	255	16.17	26.32	11	12	9	11
12/28/2018 17:00	252.67	16.01	24.36	5	11	8	8
12/28/2018 16:00	243.92	17.87	26.52	23	33	23	25
12/28/2018 15:00	247.33	16.2	24.93	24	13	16	33
12/28/2018 14:00	245.08	16.11	24.81	19	15	14	15
12/28/2018 13:00	250.08	16.78	25.69	14	0	9	10
12/28/2018 12:00	248	15.1	22.78	11	6	10	15
12/28/2018 11:00	253	15.75	24.15	8	8	8	8
12/28/2018 10:00	250.08	14.82	22.53	13	7	10	12
12/28/2018 9:00	243.83	14.86	23.12	3	4	1	3
12/28/2018 8:00	249.17	15.34	23.8	5	5	-1	7
12/28/2018 7:00	232.5	15.36	24.85	4	3	3	1
12/28/2018 6:00	230.83	17.69	26.52	5	8	8	6
12/28/2018 5:00	220.83	14.14	21.92	5	5	6	7
12/28/2018 4:00	225.42	14.07	21.63	3	5	3	1
12/28/2018 3:00	209.67	15.84	23.77	6	1	2	3
12/28/2018 2:00	200.83	16.03	24.9	4	5	3	9
12/28/2018 1:00	201.83	16.15	24.63	1	-1	7	-5
12/28/2018 0:00	200.75	15.53	23.65	1	0	3	-1

Timestamp	Weather Station WInd Direction (°) (averaged hourly)	Weather Station Wind Speed (mi/hr) (averaged hourly)	Weather Station GUST (mi/hr) (averaged hourly)	E-BAM Plus Station 4 ConcHR ($\mu\text{g}/\text{m}^3$) (averaged hourly)	E-BAM Plus Station 1 ConcHR ($\mu\text{g}/\text{m}^3$) (averaged hourly)	E-BAM Plus Station 3 ConcHR ($\mu\text{g}/\text{m}^3$) (averaged hourly)	E-BAM Plus Station 2 ConcHR ($\mu\text{g}/\text{m}^3$) (averaged hourly)
12/27/2018 23:00	188.5	12.62	19.2	9	3	4	6
12/27/2018 22:00	176.17	10.47	15.85	9	6	6	2
12/27/2018 21:00	169.33	12.38	17.8	8	7	9	3
12/27/2018 20:00	178	12.28	19.65	10	5	4	10
12/27/2018 19:00	176	12.31	19.35	10	5	8	3
12/27/2018 18:00	172.67	13.05	19.55	10	4	6	8
12/27/2018 17:00	172.92	15.31	24.41	4	10	4	2
12/27/2018 16:00	180.83	16.54	25.59	7	14	4	3
12/27/2018 15:00	179.75	19.2	31.64	3	5	-1	0
12/27/2018 14:00	162.42	20.37	31.4	10	7	6	5
12/27/2018 13:00	152.75	17.07	29.5	14	2	4	4
12/27/2018 12:00	146.17	15.15	24.9	13	15	12	9
12/27/2018 11:00	145.67	16.11	27.86	20	13	12	13
12/27/2018 10:00	140.75	14.15	24.48	30	21	18	14
12/27/2018 9:00	142	12.41	21.58	30	36	26	28
12/27/2018 8:00	144.33	11.92	20.25	17	28	21	15
12/27/2018 7:00	136.17	12	20.73	15	15	16	16
12/27/2018 6:00	131	12.64	20.65	20	17	17	16
12/27/2018 5:00	133.08	11.24	19.35	14	18	12	10
12/27/2018 4:00	132.42	11.87	20.15	22	19	18	15
12/27/2018 3:00	134.58	11.52	19.35	20	23	18	19
12/27/2018 2:00	136.83	11.09	18.75	18	32	25	20
12/27/2018 1:00	126.58	11.65	19.7	15	19	17	8
12/27/2018 0:00	128.92	9.85	16.35	25	15	18	14
12/26/2018 23:00	132	8.66	14.6	16	15	16	6
12/26/2018 22:00	131.83	8.32	13.5	16	22	20	23
12/26/2018 21:00	124.83	8.35	13.4	21	19	13	10
12/26/2018 20:00	122	6.65	10.41	18	19	21	19

Timestamp	Weather Station Wind Direction (°) (averaged hourly)	Weather Station Wind Speed (mi/hr) (averaged hourly)	Weather Station GUST (mi/hr) (averaged hourly)	E-BAM Plus Station 4 ConcHR ($\mu\text{g}/\text{m}^3$) (averaged hourly)	E-BAM Plus Station 1 ConcHR ($\mu\text{g}/\text{m}^3$) (averaged hourly)	E-BAM Plus Station 3 ConcHR ($\mu\text{g}/\text{m}^3$) (averaged hourly)	E-BAM Plus Station 2 ConcHR ($\mu\text{g}/\text{m}^3$) (averaged hourly)
12/26/2018 19:00	119.25	6.88	10.26	33	23	41	28
12/26/2018 18:00	118.42	5.5	8.25	51	47	56	47
12/26/2018 17:00	89.58	3.82	5.35	72	46	50	56
12/26/2018 16:00	55	3.88	5.2	41	46	50	56
12/26/2018 15:00	71.92	5.25	7.98	19	55	26	32
12/26/2018 14:00	124	6.2	9.97	37	39	26	79
12/26/2018 13:00	154.75	6.37	10.03	25	23	28	27
12/26/2018 12:00	172	6.03	8.65	28	36	37	39
12/26/2018 11:00	178.33	4.5	6.5	37	67	25	52
12/26/2018 10:00	175.58	4.1	5.55	24	43	27	24
12/26/2018 9:00	144.67	2.52	3.4	34	19	27	16
12/26/2018 8:00	155.83	3.16	3.8	39	25	47	25
12/26/2018 7:00	167.83	2.68	3.5	23	17	19	18
12/26/2018 6:00	184.75	3.21	4.5	21	18	23	18
12/26/2018 5:00	179.33	3.56	5.05	27	26	23	22
12/26/2018 4:00	206.42	2.81	4.15	19	15	24	19
12/26/2018 3:00	193.5	4.16	5.05	27	21	24	22
12/26/2018 2:00	179.75	3.44	4.3	18	23	18	19
12/26/2018 1:00	233	2.52	3.7	19	16	16	14
12/26/2018 0:00	259.58	2.19	3.15	24	20	25	17
12/25/2018 23:00	182.42	2.62	3.4	23	25	20	24
12/25/2018 22:00	197.08	2.02	2.75	26	26	23	21
12/25/2018 21:00	205.83	3.77	4.4	20	18	14	17
12/25/2018 20:00	195.58	2.98	3.5	23	18	28	20
12/25/2018 19:00	189.58	3.31	4.05	16	10	20	16
12/25/2018 18:00	182.42	3.64	4.55	15	7	18	11
12/25/2018 17:00	195.25	5.02	6.65	6	10	5	7
12/25/2018 16:00	209.08	6.65	9.82	5	8	7	6

Timestamp	Weather Station Wind Direction (°) (averaged hourly)	Weather Station Wind Speed (mi/hr) (averaged hourly)	Weather Station GUST (mi/hr) (averaged hourly)	E-BAM Plus Station 4 ConcHR ($\mu\text{g}/\text{m}^3$) (averaged hourly)	E-BAM Plus Station 1 ConcHR ($\mu\text{g}/\text{m}^3$) (averaged hourly)	E-BAM Plus Station 3 ConcHR ($\mu\text{g}/\text{m}^3$) (averaged hourly)	E-BAM Plus Station 2 ConcHR ($\mu\text{g}/\text{m}^3$) (averaged hourly)
12/25/2018 15:00	208.67	8.5	12.18	5	10	7	6
12/25/2018 14:00	239.5	8.31	12.22	4	14	9	3
12/25/2018 13:00	250.08	6.58	8.95	8	1	6	10
12/25/2018 12:00	221.92	6.73	10.18	6	9	14	8
12/25/2018 11:00	202	6.89	9.76	13	13	8	16
12/25/2018 10:00	187.42	6.68	10.18	10	6	9	7
12/25/2018 9:00	182.08	9.03	13.01	2	12	6	4
12/25/2018 8:00	180	7.37	11.28	25	5	6	9
12/25/2018 7:00	164.25	6.66	9.13	10	4	7	10
12/25/2018 6:00	178.67	3.58	5.4	13	14	10	12
12/25/2018 5:00	180.58	4.68	6.8	20	11	10	11
12/25/2018 4:00	145.42	3.58	5.4	20	10	14	9
12/25/2018 3:00	126.58	4.02	6.25	10	13	13	12
12/25/2018 2:00	115.75	4.48	6.55	20	18	15	16
12/25/2018 1:00	128	3.08	4.55	22	15	13	11
12/25/2018 0:00	129.5	2.92	4.2	23	22	25	21
12/24/2018 23:00	131.17	2.59	3.85	37	36	41	37
12/24/2018 22:00	158.08	3.02	4	36	29	29	32
12/24/2018 21:00	145.5	2.79	3.95	32	27	42	35
12/24/2018 20:00	154.33	2.97	3.85	32	29	34	32
12/24/2018 19:00	164.5	1.24	2	26	8	44	20
12/24/2018 18:00	222.33	2.4	3.85	14	12	22	15
12/24/2018 17:00	209.83	4.24	6.25	10	17	9	8
12/24/2018 16:00	245.67	4.68	7	67	6	31	42
12/24/2018 15:00	264.42	4.08	6.85	26	8	47	21
12/24/2018 14:00	268.67	6.34	9.89	47	8	38	39
12/24/2018 13:00	256.42	5.78	9.63	37	4	24	31
12/24/2018 12:00	271	6.21	9.93	64	8	50	33

Timestamp	Weather Station Wind Direction (°) (averaged hourly)	Weather Station Wind Speed (mi/hr) (averaged hourly)	Weather Station GUST (mi/hr) (averaged hourly)	E-BAM Plus Station 4 ConcHR ($\mu\text{g}/\text{m}^3$) (averaged hourly)	E-BAM Plus Station 1 ConcHR ($\mu\text{g}/\text{m}^3$) (averaged hourly)	E-BAM Plus Station 3 ConcHR ($\mu\text{g}/\text{m}^3$) (averaged hourly)	E-BAM Plus Station 2 ConcHR ($\mu\text{g}/\text{m}^3$) (averaged hourly)
12/24/2018 11:00	282.08	6.08	9.72	49	17	66	33
12/24/2018 10:00	279.42	6.95	10.72	34	10	80	31
12/24/2018 9:00	277.08	6.47	9.63	19	9	24	5
12/24/2018 8:00	276.67	5.2	8.45	16	6	15	12
12/24/2018 7:00	274.5	5.92	9.09	11	1	3	8
12/24/2018 6:00	280.92	6.97	10.66	1	3	8	5
12/24/2018 5:00	265.58	8.76	14.66	9	9	10	9
12/24/2018 4:00	260.5	9.81	15.46	12	6	11	6
12/24/2018 3:00	269.42	8.47	14.5	7	9	8	7
12/24/2018 2:00	264.75	10.8	18.7	5	11	5	11
12/24/2018 1:00	274.83	8.43	14.22	10	0	8	2
12/24/2018 0:00	279.25	11.07	18.14	20	16	20	14
12/23/2018 23:00	276.42	13.58	21.99	17	14	17	30
12/23/2018 22:00	277.33	12.22	20.85	15	11	14	11
12/23/2018 21:00	269.67	12.36	20.69	5	15	8	11
12/23/2018 20:00	259.33	12.88	20.04	9	2	14	10
12/23/2018 19:00	252.67	10.5	16.66	6	1	11	8
12/23/2018 18:00	252.08	8.46	12.68	7	7	5	3
12/23/2018 17:00	258.92	6.78	10.91	4	12	4	7
12/23/2018 16:00	275.75	8.02	13.02	12	11	9	11
12/23/2018 15:00	277.17	8.22	12.42	7	8	14	7
12/23/2018 14:00	265.75	8.88	13.56	14	10	13	10
12/23/2018 13:00	257.58	10.36	15.5	9	8	12	15
12/23/2018 12:00	253.42	10.81	16	19	12	21	15
12/23/2018 11:00	253.75	10.78	15.75	14	14	15	13
12/23/2018 10:00	248.75	9.01	12.43	10	15	12	20
12/23/2018 9:00	250.25	8.74	12.41	13	11	17	4
12/23/2018 8:00	258.58	7.63	11.38	14	18	14	16

Timestamp	Weather Station Wind Direction (°) (averaged hourly)	Weather Station Wind Speed (mi/hr) (averaged hourly)	Weather Station GUST (mi/hr) (averaged hourly)	E-BAM Plus Station 4 ConcHR ($\mu\text{g}/\text{m}^3$) (averaged hourly)	E-BAM Plus Station 1 ConcHR ($\mu\text{g}/\text{m}^3$) (averaged hourly)	E-BAM Plus Station 3 ConcHR ($\mu\text{g}/\text{m}^3$) (averaged hourly)	E-BAM Plus Station 2 ConcHR ($\mu\text{g}/\text{m}^3$) (averaged hourly)
12/23/2018 7:00	269.83	6.77	11.05	18	14	15	17
12/23/2018 6:00	261.33	6.39	9.59	16	14	14	14
12/23/2018 5:00	268.5	6.12	9.55	15	13	16	13
12/23/2018 4:00	271.17	5.08	7.59	10	10	13	12
12/23/2018 3:00	278.33	5.82	8.89	18	18	18	17
12/23/2018 2:00	280.25	6.31	9.97	21	19	22	21
12/23/2018 1:00	298.92	6.9	10.63	25	29	26	26
12/23/2018 0:00	317.92	8.32	12.93	26	28	24	23
12/22/2018 23:00	328	4.37	6.2	28	22	24	23
12/22/2018 22:00	125.58	2.38	3.45	25	26	28	24
12/22/2018 21:00	126.92	3.09	5.1	17	25	20	14
12/22/2018 20:00	61.17	3.73	5.6	20	16	29	23
12/22/2018 19:00	108	3.42	5	18	10	27	20
12/22/2018 18:00	110.75	2.42	3.75	31	21	27	21
12/22/2018 17:00	177.33	3.26	4.65	10	15	25	15
12/22/2018 16:00	190.58	5.73	8.25	14	13	17	14
12/22/2018 15:00	177.25	8.72	12.72	15	18	18	10
12/22/2018 14:00	191.17	9.17	13.5	10	9	14	13
12/22/2018 13:00	201.42	8.9	12.72	6	1	13	6
12/22/2018 12:00	203.5	8.88	13.01	10	8	13	7
12/22/2018 11:00	223.5	7.47	11.63	8	8	12	12
12/22/2018 10:00	210.83	7.53	11.21	10	6	14	8
12/22/2018 9:00	212.33	7.17	10.32	7	14	15	1
12/22/2018 8:00	228.08	5.88	9.13	9	6	9	9
12/22/2018 7:00	280.08	5.12	7.94	10	6	18	14
12/22/2018 6:00	258.92	6.83	10.6	9	7	3	11
12/22/2018 5:00	272.58	4.77	7.74	11	12	17	6
12/22/2018 4:00	275.83	5.65	8.82	11	11	7	10

Timestamp	Weather Station Wind Direction (°) (averaged hourly)	Weather Station Wind Speed (mi/hr) (averaged hourly)	Weather Station GUST (mi/hr) (averaged hourly)	E-BAM Plus Station 4 ConcHR ($\mu\text{g}/\text{m}^3$) (averaged hourly)	E-BAM Plus Station 1 ConcHR ($\mu\text{g}/\text{m}^3$) (averaged hourly)	E-BAM Plus Station 3 ConcHR ($\mu\text{g}/\text{m}^3$) (averaged hourly)	E-BAM Plus Station 2 ConcHR ($\mu\text{g}/\text{m}^3$) (averaged hourly)
12/22/2018 3:00	283.75	5.06	7.95	6	12	8	8
12/22/2018 2:00	319.83	5.72	8.83	10	8	8	11
12/22/2018 1:00	314.08	6.39	9.97	7	4	7	3
12/22/2018 0:00	302.08	6.68	10.61	10	7	6	7
12/21/2018 23:00	313.17	7.13	10.76	4	8	15	13
12/21/2018 22:00	318.17	6.1	9.73	15	9	5	6
12/21/2018 21:00	318.42	6.38	10.02	5	8	10	10
12/21/2018 20:00	326.17	8.69	13	8	10	7	7
12/21/2018 19:00	322.58	8.09	12.28	11	4	7	10
12/21/2018 18:00	326.92	9.57	14.8	10	11	14	6
12/21/2018 17:00	330.42	9.07	13.86	5	9	5	5
12/21/2018 16:00	323.33	10.13	15.6	28	12	22	18
12/21/2018 15:00	328.58	10.67	16.4	28	8	11	18
12/21/2018 14:00	332.58	10.82	16.15	22	5	19	9
12/21/2018 13:00	337.67	11.82	18.35	7	5	12	13
12/21/2018 12:00	329.67	12.6	19.2	27	7	34	8
12/21/2018 11:00	342.83	12.82	20.99	7	6	14	8
12/21/2018 10:00	345.25	13.91	22.18	7	-2	8	6
12/21/2018 9:00	347.75	13.96	22.68	4	4	5	11
12/21/2018 8:00	347.58	13.38	22.48	5	5	5	5
12/21/2018 7:00	348.5	13.97	22.74	5	-1	6	4
12/21/2018 6:00	351.42	14.4	24.95	4	5	3	-1
12/21/2018 5:00	351.08	15.8	25.64	6	0	0	0
12/21/2018 4:00	268.5	14.72	23.7	1	2	2	-1
12/21/2018 3:00	120.58	15.44	25.15	27	23	24	25
12/21/2018 2:00	265.75	14.19	23.63	36	33	32	34
12/21/2018 1:00	351.25	12.38	19.45	35	36	41	31
12/21/2018 0:00	351.33	12.45	20.34	43	41	36	36

Timestamp	Weather Station WInd Direction (°) (averaged hourly)	Weather Station Wind Speed (mi/hr) (averaged hourly)	Weather Station GUST (mi/hr) (averaged hourly)	E-BAM Plus Station 4 ConcHR ($\mu\text{g}/\text{m}^3$) (averaged hourly)	E-BAM Plus Station 1 ConcHR ($\mu\text{g}/\text{m}^3$) (averaged hourly)	E-BAM Plus Station 3 ConcHR ($\mu\text{g}/\text{m}^3$) (averaged hourly)	E-BAM Plus Station 2 ConcHR ($\mu\text{g}/\text{m}^3$) (averaged hourly)
12/20/2018 23:00	295.92	11.63	18.85	35	39	36	36
12/20/2018 22:00	208.75	12.41	18.75	32	30	31	26
12/20/2018 21:00	207.75	11.8	18.8	25	11	20	19
12/20/2018 20:00	32.67	14.26	21.45	65	44	65	37
12/20/2018 19:00	121.42	5.63	8.52	46	40	52	45
12/20/2018 18:00	123.25	2.89	3.9	29	23	26	24
12/20/2018 17:00	121.08	2.39	3.35	18	31	26	18
12/20/2018 16:00	192.5	3.42	4.7	24	38	33	37
12/20/2018 15:00	216.5	4.2	5.95	22	16	24	59
12/20/2018 14:00	241.08	3.53	5.15	22	27	22	22
12/20/2018 13:00	209.25	6.18	8.9	33	43	26	32
12/20/2018 12:00	203.17	5.97	8.69	41	52	35	36
12/20/2018 11:00	189.33	6.17	8.94	37	47	38	33
12/20/2018 10:00	197.08	7.84	11.33	26	52	20	33
12/20/2018 9:00	174.75	8.29	12.27	38	34	22	23
12/20/2018 8:00	165.08	6.87	9.99	19	18	19	21
12/20/2018 7:00	162.08	7.33	10.56	20	16	20	12
12/20/2018 6:00	167.92	6.61	9.57	21	15	15	21
12/20/2018 5:00	182.92	7.28	10.07	18	14	14	15
12/20/2018 4:00	187.25	7	10.29	17	14	19	14
12/20/2018 3:00	173.17	6.12	9.1	15	20	14	13
12/20/2018 2:00	171.92	5.55	8.2	19	13	20	22
12/20/2018 1:00	176	5.89	8.34	17	17	18	12
12/20/2018 0:00	192.83	7.14	10.28	12	15	11	13
12/19/2018 23:00	203.58	7.33	11.09	16	9	16	13
12/19/2018 22:00	203.17	7.47	10.99	15	17	15	15
12/19/2018 21:00	188	11.43	16.8	14	19	15	14
12/19/2018 20:00	185.17	10.18	15.65	19	15	21	15

Timestamp	Weather Station Wind Direction (°) (averaged hourly)	Weather Station Wind Speed (mi/hr) (averaged hourly)	Weather Station GUST (mi/hr) (averaged hourly)	E-BAM Plus Station 4 ConcHR ($\mu\text{g}/\text{m}^3$) (averaged hourly)	E-BAM Plus Station 1 ConcHR ($\mu\text{g}/\text{m}^3$) (averaged hourly)	E-BAM Plus Station 3 ConcHR ($\mu\text{g}/\text{m}^3$) (averaged hourly)	E-BAM Plus Station 2 ConcHR ($\mu\text{g}/\text{m}^3$) (averaged hourly)
12/19/2018 19:00	179.08	10.73	15.9	21	19	20	20
12/19/2018 18:00	184.33	10.4	15.45	24	23	24	18
12/19/2018 17:00	183.5	10.75	16.55	28	32	35	36
12/19/2018 16:00	189.25	11.89	18.1	49		47	89
12/19/2018 15:00	190.67	12.89	19.45	74		61	
12/19/2018 14:00	196.83	13.02	18.7				
12/19/2018 13:00	189.08	13.34	19.4				
12/19/2018 12:00	199.58	12.09	17.45		84		
12/19/2018 11:00	184.75	11.48	17.05		101	47	88
12/19/2018 10:00	183	10.93	15.6	27	72	38	67
12/19/2018 9:00	184.58	9.97	14.35	27	40	27	46
12/19/2018 8:00	179.92	9.79	14.05	28	38	26	43
12/19/2018 7:00	190.75	8.47	12.8	18	12	14	15
12/19/2018 6:00	188.75	7.25	10.27	15	10	14	13
12/19/2018 5:00	176.67	8.6	12.56	20	20	19	14
12/19/2018 4:00	183.17	6.47	9.05	15	15	16	19
12/19/2018 3:00	191.92	7.69	11.04	11	16	19	15
12/19/2018 2:00	191.67	7.66	11.35	12	5	6	8
12/19/2018 1:00	190.33	8.04	11.39	17	8	6	-1
12/19/2018 0:00	178.83	7.21	10.32	12	15	23	12
12/18/2018 23:00	185.83	4.16	6.05	15	12	13	12
12/18/2018 22:00	194.17	6.27	9.63	18	14	22	13
12/18/2018 21:00	180.83	8.09	11.63	22	17	11	12
12/18/2018 20:00	175.92	7.56	11.44	18	12	25	20
12/18/2018 19:00	174.67	6.71	9.49	21	20	19	22
12/18/2018 18:00	183.25	6.63	9.93	29	32	38	19
12/18/2018 17:00	183.75	6.87	9.78	30	51	43	23
12/18/2018 16:00	196.67	8.72	12.03	33	89	57	50

Timestamp	Weather Station Wind Direction (°) (averaged hourly)	Weather Station Wind Speed (mi/hr) (averaged hourly)	Weather Station GUST (mi/hr) (averaged hourly)	E-BAM Plus Station 4 ConcHR ($\mu\text{g}/\text{m}^3$) (averaged hourly)	E-BAM Plus Station 1 ConcHR ($\mu\text{g}/\text{m}^3$) (averaged hourly)	E-BAM Plus Station 3 ConcHR ($\mu\text{g}/\text{m}^3$) (averaged hourly)	E-BAM Plus Station 2 ConcHR ($\mu\text{g}/\text{m}^3$) (averaged hourly)
12/18/2018 15:00	200.67	10.13	14.55	44	96	49	36
12/18/2018 14:00	198.67	9.38	13.55	45	86	42	51
12/18/2018 13:00	176.75	9.5	13.3	31	43	44	35
12/18/2018 12:00	182.17	8.72	12.46	35	47	37	36
12/18/2018 11:00	189.75	8.82	12.61	27	60	26	36
12/18/2018 10:00	176.67	8.88	12.86	30	63	26	38
12/18/2018 9:00	170.67	6.1	8.64	40	59	36	40
12/18/2018 8:00	161.75	3.98	5.95	50	33	38	34
12/18/2018 7:00	153.67	4.25	5.9	43	33	44	37
12/18/2018 6:00	152.42	3.82	6.03	50	49	48	43
12/18/2018 5:00	191.5	2.9	3.75	42	44	47	44
12/18/2018 4:00	202.33	2.85	3.75	45	38	41	43
12/18/2018 3:00	264.08	0.6	0.6	38	37	43	36
12/18/2018 2:00	204.92	0.6	0.6	51	46	40	45
12/18/2018 1:00	231.92	0.73	0.95	34	30	35	29
12/18/2018 0:00	255	2.75	3.9	45	46	47	52
12/17/2018 23:00	251.75	0.86	1.2	46	46	52	38
12/17/2018 22:00	261.42	0.69	0.95	69	45	60	47
12/17/2018 21:00	219.83	1.27	1.8	74	45	95	61
12/17/2018 20:00	245.92	1.42	2	52	49	65	49
12/17/2018 19:00	285.92	0.64	0.8	27	12	40	23
12/17/2018 18:00	81.83	1.56	2.5	17	13	19	9
12/17/2018 17:00	52.25	3.84	5.4	36	14	13	21
12/17/2018 16:00	39.58	4.19	6.05	33	21	25	34
12/17/2018 15:00	54	4.83	7.15	53	17	34	48
12/17/2018 14:00	32.17	6.43	9.1	39	30	23	52
12/17/2018 13:00	28.67	6.44	9.49	60	22	54	59
12/17/2018 12:00	20.83	8.13	11.64	105	34	125	69

Timestamp	Weather Station Wind Direction (°) (averaged hourly)	Weather Station Wind Speed (mi/hr) (averaged hourly)	Weather Station GUST (mi/hr) (averaged hourly)	E-BAM Plus Station 4 ConcHR ($\mu\text{g}/\text{m}^3$) (averaged hourly)	E-BAM Plus Station 1 ConcHR ($\mu\text{g}/\text{m}^3$) (averaged hourly)	E-BAM Plus Station 3 ConcHR ($\mu\text{g}/\text{m}^3$) (averaged hourly)	E-BAM Plus Station 2 ConcHR ($\mu\text{g}/\text{m}^3$) (averaged hourly)
12/17/2018 11:00	63.17	10.63	17.05	104	38	443	66
12/17/2018 10:00	63.17	10.04	15.06	54	24	189	37
12/17/2018 9:00	334.83	7.41	11.53	39	10	23	26
12/17/2018 8:00	319.67	5.74	9.29	20	17	13	18
12/17/2018 7:00	311.75	3.66	6.25	16	7	9	14
12/17/2018 6:00	289.08	4.28	7	6	7	6	6
12/17/2018 5:00	277.83	5.88	8.65	4	7	10	8
12/17/2018 4:00	283.33	5.07	8.28	14	14	13	10
12/17/2018 3:00	273.08	3.93	6.15	15	9	17	16
12/17/2018 2:00	267.92	4.17	6.85	21	18	19	22
12/17/2018 1:00	258.83	5.82	8.35	15	15	21	13
12/17/2018 0:00	256.67	4.55	7.1	23	22	25	23
12/16/2018 23:00	252.08	6.53	9.25	29	30	27	24
12/16/2018 22:00	250	6.06	8.89	30	24	31	26
12/16/2018 21:00	257.58	5.89	9.05	20	19	21	23
12/16/2018 20:00	257.33	4.95	7.7	27	30	26	24
12/16/2018 19:00	269.67	3.43	6.25	22	19	18	24
12/16/2018 18:00	263.17	4.23	7.89	26	26	31	22
12/16/2018 17:00	260.5	5.67	9.63	18	23	24	15
12/16/2018 16:00	263.08	8.08	12.43	15	16	17	16
12/16/2018 15:00	256.75	9.67	14.05	14	17	21	18
12/16/2018 14:00	254.42	8.76	12.07	14	23	19	19
12/16/2018 13:00	260.42	7.58	11.19	17	18	24	22
12/16/2018 12:00	256.75	7.85	11.29	4	4	3	7
12/16/2018 11:00	246.83	7.16	10.28	14	14	27	22
12/16/2018 10:00	253.33	5.76	8.1	22	24	23	23
12/16/2018 9:00	248.92	4.71	6.6	17	21	21	15
12/16/2018 8:00	243.25	3.2	4.45	19	22	28	21

Timestamp	Weather Station Wind Direction (°) (averaged hourly)	Weather Station Wind Speed (mi/hr) (averaged hourly)	Weather Station GUST (mi/hr) (averaged hourly)	E-BAM Plus Station 4 ConcHR ($\mu\text{g}/\text{m}^3$) (averaged hourly)	E-BAM Plus Station 1 ConcHR ($\mu\text{g}/\text{m}^3$) (averaged hourly)	E-BAM Plus Station 3 ConcHR ($\mu\text{g}/\text{m}^3$) (averaged hourly)	E-BAM Plus Station 2 ConcHR ($\mu\text{g}/\text{m}^3$) (averaged hourly)
12/16/2018 7:00	215.75	2.2	3	17	9	18	11
12/16/2018 6:00	263.58	2.72	3.95	20	21	19	22
12/16/2018 5:00	282.08	1.03	1.4	21	17	17	19
12/16/2018 4:00	272.33	2.72	4.25	18	17	20	12
12/16/2018 3:00	330.33	3.7	5.5	16	19	13	15
12/16/2018 2:00	97.25	4.97	7.35	17	17	17	15
12/16/2018 1:00	313.58	4.08	6.4	11	13	14	9
12/16/2018 0:00	335.92	4.03	5.4	29	14	22	28
12/15/2018 23:00	155.58	4.47	6.55	11	12	15	18
12/15/2018 22:00	18.83	5.62	8.1	31	14	26	24
12/15/2018 21:00	9.67	5.75	8.2	22	17	16	18
12/15/2018 20:00	35.33	8.43	12.26	20	24	20	12
12/15/2018 19:00	35.08	8.03	11.58	36	16	27	26
12/15/2018 18:00	3.92	8.91	12.96	18	29	14	21
12/15/2018 17:00	5.5	8.56	12.95	17	15	17	14
12/15/2018 16:00	11.42	9.16	14.1	21	17	14	17
12/15/2018 15:00	15.83	10.27	15.35	35	19	28	28
12/15/2018 14:00	15.08	10.55	16.15	18	19	16	32
12/15/2018 13:00	15.58	9.59	13.95	13	10	13	8
12/15/2018 12:00	22.25	10.65	15	3	11	3	7
12/15/2018 11:00	36.33	9.24	13.41	5	7	7	8
12/15/2018 10:00	41.83	7.97	12.47	7	11	11	10
12/15/2018 9:00	41.92	7.43	11.24	18	19	19	20
12/15/2018 8:00	27.5	8.41	11.72	19	29	19	18
12/15/2018 7:00	34.17	8.07	12.57	20	34	23	28
12/15/2018 6:00	29.67	7.6	10.57	22	17	20	13
12/15/2018 5:00	18.17	8.07	11.34	23	23	26	23
12/15/2018 4:00	16	6.35	9.29	40	34	34	31

Timestamp	Weather Station WInd Direction (°) (averaged hourly)	Weather Station Wind Speed (mi/hr) (averaged hourly)	Weather Station GUST (mi/hr) (averaged hourly)	E-BAM Plus Station 4 ConcHR ($\mu\text{g}/\text{m}^3$) (averaged hourly)	E-BAM Plus Station 1 ConcHR ($\mu\text{g}/\text{m}^3$) (averaged hourly)	E-BAM Plus Station 3 ConcHR ($\mu\text{g}/\text{m}^3$) (averaged hourly)	E-BAM Plus Station 2 ConcHR ($\mu\text{g}/\text{m}^3$) (averaged hourly)
12/15/2018 3:00	50.75	6.23	8.7	42	39	40	41
12/15/2018 2:00	13.83	5.27	7.4	43	46	41	43
12/15/2018 1:00	12.75	5.35	7.6	35	40	35	33
12/15/2018 0:00	30.25	6.76	9.96	38	45	34	37
12/14/2018 23:00	25.17	10.02	13.65	30	63	33	36
12/14/2018 22:00	25.58	9.22	13.22	36	33	29	31
12/14/2018 21:00	19.58	8.43	12.18	37	46	35	35
12/14/2018 20:00	20.33	8.75	12.32	39	41	40	40
12/14/2018 19:00	27.58	6.99	10.76	34	35	31	34
12/14/2018 18:00	19.5	8.94	13.16	39	31	39	34
12/14/2018 17:00	10.25	8.94	13.2	46	46	39	45
12/14/2018 16:00	13.5	7.13	10.47	39	50	36	37
12/14/2018 15:00	21.67	7.33	10.68	58	49	51	49
12/14/2018 14:00	14.25	6.93	10.37	32	67	28	30
12/14/2018 13:00	43.42	7.6	10.88	28	43	24	29
12/14/2018 12:00	23.83	7.48	10.56	58	56	60	61
12/14/2018 11:00	14.17	7.75	11.11	66	44	66	52
12/14/2018 10:00	7.67	7.53	11.63	53	64	49	60
12/14/2018 9:00	9.17	7.53	10.98	44	42	40	46
12/14/2018 8:00	8.92	6.08	9.42	28	25	21	26
12/14/2018 7:00	9.42	5.56	8.5	15	13	16	11
12/14/2018 6:00	207.83	4.57	6.75	17	16	16	16
12/14/2018 5:00	235.17	2.72	4	18	13	13	17
12/14/2018 4:00	312.92	3.43	4.6	20	16	18	13
12/14/2018 3:00	105.08	2.55	3.75	16	18	22	21
12/14/2018 2:00	51.33	3.05	4.35	31	29	25	25
12/14/2018 1:00	25	3.13	4.4	29	40	31	33
12/14/2018 0:00	16.58	3.5	4.4	33	28	27	27

Timestamp	Weather Station Wind Direction (°) (averaged hourly)	Weather Station Wind Speed (mi/hr) (averaged hourly)	Weather Station GUST (mi/hr) (averaged hourly)	E-BAM Plus Station 4 ConcHR ($\mu\text{g}/\text{m}^3$) (averaged hourly)	E-BAM Plus Station 1 ConcHR ($\mu\text{g}/\text{m}^3$) (averaged hourly)	E-BAM Plus Station 3 ConcHR ($\mu\text{g}/\text{m}^3$) (averaged hourly)	E-BAM Plus Station 2 ConcHR ($\mu\text{g}/\text{m}^3$) (averaged hourly)
12/13/2018 23:00	17	3.1	4.15	21	28	23	22
12/13/2018 22:00	37.25	2.73	3.65	26	25	27	23
12/13/2018 21:00	44.67	3.73	5.25	30	33	31	30
12/13/2018 20:00	105.83	4.88	7.15	38	28	35	35
12/13/2018 19:00	102.25	4.69	7.1	33	34	42	35
12/13/2018 18:00	104.25	4.24	6.1	32	31	32	26
12/13/2018 17:00	50.92	5.13	7.3	35	34	32	29
12/13/2018 16:00	52.08	5.51	7.55	43	43	44	44
12/13/2018 15:00	57.33	5.47	7.65	20	31	22	30
12/13/2018 14:00	105.42	4.38	7.35	49	52	58	40
12/13/2018 13:00	160.83	9.01	13.43	26	27	33	31
12/13/2018 12:00	157.58	9.09	13.26	36	35	40	31
12/13/2018 11:00	137.83	7.68	11.6	25	35	32	31
12/13/2018 10:00	125.17	6.4	9.93	39	46	36	38
12/13/2018 9:00	137.42	3.83	6.1	35	47	27	29
12/13/2018 8:00	143.67	3.36	4.55	28	38	38	30
12/13/2018 7:00	143.92	2.58	3.55	42	28	40	30
12/13/2018 6:00	153.92	3.07	4.4	37	30	35	35
12/13/2018 5:00	162.42	3.4	4.45	34	30	33	29
12/13/2018 4:00	158.08	3.16	4.3	31	32	29	30
12/13/2018 3:00	193	3.75	4.95	34	30	33	31
12/13/2018 2:00	217.33	2.5	3.65	33	23	31	27
12/13/2018 1:00	221.33	3.96	5.9	19	32	28	27
12/13/2018 0:00	250.67	4.13	5.7	31	28	30	30
12/12/2018 23:00	280.75	3.95	6.3	27	25	26	25
12/12/2018 22:00	260.08	5.61	8.2	21	22	25	20
12/12/2018 21:00	272.92	5.26	8.47	25	24	25	27
12/12/2018 20:00	264.17	7.26	11.2	22	24	22	19

Timestamp	Weather Station Wind Direction (°) (averaged hourly)	Weather Station Wind Speed (mi/hr) (averaged hourly)	Weather Station GUST (mi/hr) (averaged hourly)	E-BAM Plus Station 4 ConcHR ($\mu\text{g}/\text{m}^3$) (averaged hourly)	E-BAM Plus Station 1 ConcHR ($\mu\text{g}/\text{m}^3$) (averaged hourly)	E-BAM Plus Station 3 ConcHR ($\mu\text{g}/\text{m}^3$) (averaged hourly)	E-BAM Plus Station 2 ConcHR ($\mu\text{g}/\text{m}^3$) (averaged hourly)
12/12/2018 19:00	262	8.53	13.3	21	17	22	24
12/12/2018 18:00	264.58	9.58	15.66	31	32	34	23
12/12/2018 17:00	280.5	9.22	14.2	22	28	27	24
12/12/2018 16:00	265.33	11.81	17.9	38	24	38	39
12/12/2018 15:00	254	12.85	19.4	40	27	47	37
12/12/2018 14:00	237.08	12.93	20.75	49	39	37	29
12/12/2018 13:00	236.92	15.05	22.53	85	33	30	27
12/12/2018 12:00	225.33	14.89	22.63	75	97	34	18
12/12/2018 11:00	208.08	14.5	22.39	82	77	16	19
12/12/2018 10:00	199.83	14.03	20.49	23	20	10	10
12/12/2018 9:00	181.33	13.32	19.8	25	25	17	15
12/12/2018 8:00	171.25	11.59	17.2	27	17	18	17
12/12/2018 7:00	165.5	11.46	17.2	27	10	18	21
12/12/2018 6:00	161.92	10.99	16.55	30	23	22	18
12/12/2018 5:00	157.75	10.46	15.6	24	15	17	19
12/12/2018 4:00	160.83	10.27	15.5	33	21	23	16
12/12/2018 3:00	151.25	8.35	13.25	40	23	22	25
12/12/2018 2:00	141.42	6.58	10.31	40	32	31	29
12/12/2018 1:00	139.08	4.78	6.9	32	34	36	33
12/12/2018 0:00	128.92	4.28	6.6	36	33	41	36
12/11/2018 23:00	123.5	4.67	6.95	42	38	38	39
12/11/2018 22:00	123.5	4.95	7.25	54	47	51	42
12/11/2018 21:00	133.33	4.03	5.8	70	65	63	59
12/11/2018 20:00	125.25	3.82	5.7	41	42	42	42
12/11/2018 19:00	115.25	3.96	5.95	51	47	77	52
12/11/2018 18:00	90.75	2.91	4.3	43	48	56	41
12/11/2018 17:00	228.67	2.2	2.9	31	41	34	28
12/11/2018 16:00	268.75	3.26	5.1	31	47	64	38

Timestamp	Weather Station Wind Direction (°) (averaged hourly)	Weather Station Wind Speed (mi/hr) (averaged hourly)	Weather Station GUST (mi/hr) (averaged hourly)	E-BAM Plus Station 4 ConcHR ($\mu\text{g}/\text{m}^3$) (averaged hourly)	E-BAM Plus Station 1 ConcHR ($\mu\text{g}/\text{m}^3$) (averaged hourly)	E-BAM Plus Station 3 ConcHR ($\mu\text{g}/\text{m}^3$) (averaged hourly)	E-BAM Plus Station 2 ConcHR ($\mu\text{g}/\text{m}^3$) (averaged hourly)
12/11/2018 15:00	255.17	5.83	8.83	36	34	67	32
12/11/2018 14:00	259.67	6.33	9.77	39	37	40	38
12/11/2018 13:00	257.17	7.55	10.95	27	22	33	29
12/11/2018 12:00	266.75	6.7	9.78	35	24	31	25
12/11/2018 11:00	262.58	8.24	12.13	35	41	27	35
12/11/2018 10:00	253.58	9.32	13.85	38	41	30	22
12/11/2018 9:00	245.83	10.04	15	31	27	27	30
12/11/2018 8:00	240.75	10.15	15.2	27	26	27	27
12/11/2018 7:00	225.75	8.33	12.8	29	30	29	28
12/11/2018 6:00	208.83	8.93	12.57	27	30	28	28
12/11/2018 5:00	226	7.47	11.39	25	31	27	27
12/11/2018 4:00	217.17	8.51	12.56	28	27	24	23
12/11/2018 3:00	212.33	10.76	15.1	22	29	30	26
12/11/2018 2:00	222.17	8.27	12.77	27	23	26	25
12/11/2018 1:00	215.58	10.04	14.9	31	30	28	28
12/11/2018 0:00	211.83	9.89	14.35	31	28	26	26
12/10/2018 23:00	212.92	10.14	13.95	23	34	29	26
12/10/2018 22:00	214.92	10.37	14.9	32	28	29	26
12/10/2018 21:00	205.42	7.91	11.7	28	29	29	30
12/10/2018 20:00	196.75	7	10.48	33	26	37	31
12/10/2018 19:00	197.5	8.07	11.58	35	24	30	33
12/10/2018 18:00	198	8.18	12.21	28	41	30	26
12/10/2018 17:00	210.08	9.86	14.1	34	46	43	33
12/10/2018 16:00	210.5	9.18	12.95	29	37	50	31
12/10/2018 15:00	218.75	10.08	14.5	40	61	54	37
12/10/2018 14:00	221.17	10.22	14.65	55	55	120	36
12/10/2018 13:00	228.5	9.06	13.56	45	28	86	38
12/10/2018 12:00	239.17	7.46	11.09	59	49	104	50

Timestamp	Weather Station Wind Direction (°) (averaged hourly)	Weather Station Wind Speed (mi/hr) (averaged hourly)	Weather Station GUST (mi/hr) (averaged hourly)	E-BAM Plus Station 4 ConcHR ($\mu\text{g}/\text{m}^3$) (averaged hourly)	E-BAM Plus Station 1 ConcHR ($\mu\text{g}/\text{m}^3$) (averaged hourly)	E-BAM Plus Station 3 ConcHR ($\mu\text{g}/\text{m}^3$) (averaged hourly)	E-BAM Plus Station 2 ConcHR ($\mu\text{g}/\text{m}^3$) (averaged hourly)
12/10/2018 11:00	244.42	5.92	8.89	57	60	96	43
12/10/2018 10:00	223.92	4.44	6.25	49	65	60	42
12/10/2018 9:00	197.58	4.54	6.4	70	48	49	40
12/10/2018 8:00	210.58	4.71	6.5	43	41	45	38
12/10/2018 7:00	207.25	4.13	5.45	46	36	42	40
12/10/2018 6:00	242.83	3.46	4.55	39	33	41	38
12/10/2018 5:00	247.17	3.38	4.65	35	35	38	30
12/10/2018 4:00	266.08	3.47	4.55	33	38	32	37
12/10/2018 3:00	295.5	3.6	5	39	34	37	32
12/10/2018 2:00	305.42	3.17	4.65	40	36	37	39
12/10/2018 1:00	273.92	3.46	4.85	37	38	37	33
12/10/2018 0:00	294.33	3.58	5	39	37	35	33
12/9/2018 23:00	317.67	3.13	4.05	32	28	30	30
12/9/2018 22:00	323.08	2.98	4.1	31	37	36	31
12/9/2018 21:00	334.83	3.2	4.5	36	33	33	34
12/9/2018 20:00	323.83	3.32	4.55	37	37	45	36
12/9/2018 19:00	324.58	2.49	3.25	35	29	32	34
12/9/2018 18:00	49.58	3.27	4.6	32	35	36	32
12/9/2018 17:00	44.58	3.07	4.7	30	34	30	26
12/9/2018 16:00	58.75	4.67	6.9	32	30	28	29
12/9/2018 15:00	47.08	5.84	8.7	26	31	29	29
12/9/2018 14:00	51.17	5.78	8.8	31	35	42	32
12/9/2018 13:00	38.83	5.31	8.2	37	34	37	36
12/9/2018 12:00	82.25	4.17	6.45	37	35	38	39
12/9/2018 11:00	233.17	2.49	4.4	40	35	36	45
12/9/2018 10:00	137.92	2.08	3.3	37	35	39	33
12/9/2018 9:00	276.08	1.54	2.3	58	40	48	45
12/9/2018 8:00	231.17	2.61	3.6	71	41	54	38

Timestamp	Weather Station Wind Direction (°) (averaged hourly)	Weather Station Wind Speed (mi/hr) (averaged hourly)	Weather Station GUST (mi/hr) (averaged hourly)	E-BAM Plus Station 4 ConcHR ($\mu\text{g}/\text{m}^3$) (averaged hourly)	E-BAM Plus Station 1 ConcHR ($\mu\text{g}/\text{m}^3$) (averaged hourly)	E-BAM Plus Station 3 ConcHR ($\mu\text{g}/\text{m}^3$) (averaged hourly)	E-BAM Plus Station 2 ConcHR ($\mu\text{g}/\text{m}^3$) (averaged hourly)
12/9/2018 7:00	188.17	2.72	3.6	42	32	35	30
12/9/2018 6:00	255.58	2.04	3	34	31	35	32
12/9/2018 5:00	310.08	2.41	3.35	37	40	31	33
12/9/2018 4:00	301	2.45	3.7	40	38	44	41
12/9/2018 3:00	286.67	2.33	3.4	47	47	45	44
12/9/2018 2:00	308.42	1.93	2.8	47	49	44	45
12/9/2018 1:00	328.5	2.63	3.95	36	34	33	30
12/9/2018 0:00	310.17	2.64	3.6	36	40	44	42
12/8/2018 23:00	281.17	2.23	3.6	32	31	33	28
12/8/2018 22:00	248.25	3.94	4.9	40	29	43	32
12/8/2018 21:00	195.42	3.44	4.1	43	34	51	43
12/8/2018 20:00	191.25	3.51	4.35	41	32	47	26
12/8/2018 19:00	171.92	3.17	4.2	32	26	44	36
12/8/2018 18:00	233.17	2.18	3.4	24	28	24	28
12/8/2018 17:00	120	2.99	4.45	21	27	23	16
12/8/2018 16:00	313	3.42	4.95	22	19	22	24
12/8/2018 15:00	271.67	2.53	3.85	23	23	20	16
12/8/2018 14:00	287.08	3.13	4.85	17	14	19	14
12/8/2018 13:00	172.75	1.95	3.4	12	5	11	11
12/8/2018 12:00	79.17	2.89	5.1	21	15	19	24
12/8/2018 11:00	84.5	4.97	7.95	23	26	23	19
12/8/2018 10:00	223.92	5.49	8.1	30	28	28	26
12/8/2018 9:00	313.33	4.13	6.35	23	26	22	16
12/8/2018 8:00	324.92	4.77	7.1	19	19	17	18
12/8/2018 7:00	336.83	5.64	8.38	19	14	23	25
12/8/2018 6:00	292.67	3.94	6.09	16	20	24	17
12/8/2018 5:00	280.33	3.13	4.5	20	21	19	19
12/8/2018 4:00	271.25	3.24	4.75	18	16	16	16

Timestamp	Weather Station Wind Direction (°) (averaged hourly)	Weather Station Wind Speed (mi/hr) (averaged hourly)	Weather Station GUST (mi/hr) (averaged hourly)	E-BAM Plus Station 4 ConcHR ($\mu\text{g}/\text{m}^3$) (averaged hourly)	E-BAM Plus Station 1 ConcHR ($\mu\text{g}/\text{m}^3$) (averaged hourly)	E-BAM Plus Station 3 ConcHR ($\mu\text{g}/\text{m}^3$) (averaged hourly)	E-BAM Plus Station 2 ConcHR ($\mu\text{g}/\text{m}^3$) (averaged hourly)
12/8/2018 3:00	276.83	3.4	4.9	16	21	20	17
12/8/2018 2:00	281.75	5.3	7.35	21	16	16	17
12/8/2018 1:00	282	5.97	8.6	12	13	19	18
12/8/2018 0:00	281.42	5.33	7.9	25	23	24	22
12/7/2018 23:00	269.67	4.01	6.25	27	30	31	26
12/7/2018 22:00	271.83	3.74	5.6	28	32	30	31
12/7/2018 21:00	293.5	4.96	7.45	30	29	33	35
12/7/2018 20:00	290.42	4.88	7.35	17	22	22	16
12/7/2018 19:00	310.75	3.42	5.4	15	15	13	18
12/7/2018 18:00	319.58	5.06	7.69	26	17	22	23
12/7/2018 17:00	316.17	10.18	15.5	19	33	28	24
12/7/2018 16:00	278	8.59	14.51	31	24	23.5	32
12/7/2018 15:00	274.5	9.32	14.55	34	31	76	36
12/7/2018 14:00	261.75	11.33	16.75	41	28	79	46
12/7/2018 13:00	245.83	12.5	19.3	60	20	59	48
12/7/2018 12:00	238.08	12.24	18.05	42	32	58	39
12/7/2018 11:00	245.92	11.15	16.3	34	26	47	42
12/7/2018 10:00	245.75	8.27	11.68	34	40	56	49
12/7/2018 9:00	257.67	5.41	7.35	29	29	30	29
12/7/2018 8:00	254.42	4.65	6.25	16	23	20	17
12/7/2018 7:00	262.42	4.17	5.65	21	19	18	21
12/7/2018 6:00	267.33	3.96	6.45	22	18	22	18
12/7/2018 5:00	269.67	4.83	6.8	11	15	12	14
12/7/2018 4:00	287.67	3.81	5.4	12	12	14	9
12/7/2018 3:00	302.5	3.96	5.95	8	11	13	10
12/7/2018 2:00	306.17	3.88	5.75	11	12		13
12/7/2018 1:00	313	4.47	6.5	13	7	9	6
12/7/2018 0:00	319.25	4.9	7.2	11	15	12	10

Timestamp	Weather Station WInd Direction (°) (averaged hourly)	Weather Station Wind Speed (mi/hr) (averaged hourly)	Weather Station GUST (mi/hr) (averaged hourly)	E-BAM Plus Station 4 ConcHR ($\mu\text{g}/\text{m}^3$) (averaged hourly)	E-BAM Plus Station 1 ConcHR ($\mu\text{g}/\text{m}^3$) (averaged hourly)	E-BAM Plus Station 3 ConcHR ($\mu\text{g}/\text{m}^3$) (averaged hourly)	E-BAM Plus Station 2 ConcHR ($\mu\text{g}/\text{m}^3$) (averaged hourly)
12/6/2018 23:00	320.67	4.79	6.95	17	16	13	14
12/6/2018 22:00	315.92	4.26	6.4	12	17	15	14
12/6/2018 21:00	327.08	5.13	7.75	12	15	10	10
12/6/2018 20:00	329.08	7.82	11.44	17	11	16	15
12/6/2018 19:00	307.83	6.06	9.34	13	15	16	14
12/6/2018 18:00	318.92	5.98	8.7	22	14	25	24
12/6/2018 17:00	312.5	5.98	9.24	39	23	23	19
12/6/2018 16:00	306.75	7.79	12.48	73	16	37	37
12/6/2018 15:00	303.92	7.93	12.82	69	18	55	31
12/6/2018 14:00	313.67	8.43	13.06	55	14	28	37
12/6/2018 13:00	310.17	9.92	15.05	31	16	29	35
12/6/2018 12:00	307.67	10.61	15.95	33	22	51	42
12/6/2018 11:00	319.42	9.35	14.4	52	18	49	26
12/6/2018 10:00	322.08	12.03	18.11	46	21	72	25
12/6/2018 9:00	321.92	10.07	15.6	25	15	26	13
12/6/2018 8:00	302.5	7.5	11.82	11	13	13	11
12/6/2018 7:00	288.67	7.03	11.69	14	8	11	15
12/6/2018 6:00	273.58	6.44	9.78	13	6	14	12
12/6/2018 5:00	241.92	7.81	11.43	19	16	14	12
12/6/2018 4:00	234	8.63	13.75	11	14	9	13
12/6/2018 3:00	216.58	11.04	16	9	6	9	7
12/6/2018 2:00	207.25	9.41	14.11	11	17	16	14
12/6/2018 1:00	201.58	6.8	10.9	13	9	6	7
12/6/2018 0:00	210.17	9.71	13.9	16	16	11	14
12/5/2018 23:00	206.17	9.38	14.2	19	12	17	14
12/5/2018 22:00	198.83	9.07	13.25	15	9	15	12
12/5/2018 21:00	195.83	9.41	13.96	9	16	12	12
12/5/2018 20:00	194.25	8.44	12.87	18	11	11	19

Timestamp	Weather Station Wind Direction (°) (averaged hourly)	Weather Station Wind Speed (mi/hr) (averaged hourly)	Weather Station GUST (mi/hr) (averaged hourly)	E-BAM Plus Station 4 ConcHR ($\mu\text{g}/\text{m}^3$) (averaged hourly)	E-BAM Plus Station 1 ConcHR ($\mu\text{g}/\text{m}^3$) (averaged hourly)	E-BAM Plus Station 3 ConcHR ($\mu\text{g}/\text{m}^3$) (averaged hourly)	E-BAM Plus Station 2 ConcHR ($\mu\text{g}/\text{m}^3$) (averaged hourly)
12/5/2018 19:00	201.83	8.45	12.9	11	9	20	13
12/5/2018 18:00	202.83	8.97	13.06	22	25	34	30
12/5/2018 17:00	196.92	7.75	11.49	29	20	47	18
12/5/2018 16:00	228.67	9.49	14.05	33	19	69	26
12/5/2018 15:00	249.75	10.37	14.66	25	27	61	20
12/5/2018 14:00	253.75	9.97	15.2	19	14	26	21
12/5/2018 13:00	269.25	8.47	13.87	19	16	20	15
12/5/2018 12:00	274.75	8.67	14.45	12	13	0	12
12/5/2018 11:00	273.25	8.43	13.37	13	7	32	8
12/5/2018 10:00	273.17	8.16	13.21	17	7	34	11
12/5/2018 9:00	265.17	9.57	15.15	11	4	17	6
12/5/2018 8:00	261.17	8.07	13	3	6	8	6
12/5/2018 7:00	275.17	6.78	10.81	4	-3	4	-1
12/5/2018 6:00	268.92	7.97	13.32	3	5	4	5
12/5/2018 5:00	264.08	10.7	17.15	11	8		4
12/5/2018 4:00	268.67	7.98	13.22	6	8	5	10
12/5/2018 3:00	271.08	6.16	9.91	4	7	8	2
12/5/2018 2:00	283.42	3.69	5.55	11	10	7	10
12/5/2018 1:00	264.25	5.67	8.29	-2	-4	0	-5
12/5/2018 0:00	271.83	5.66	9.13	3	5	2	7
12/4/2018 23:00	273.5	4.09	6.1	4	4	12	6
12/4/2018 22:00	265.08	8.11	13.68	12	9	5	9
12/4/2018 21:00	273.75	7.25	11.93	10	10	13	11
12/4/2018 20:00	274.33	6.83	10.43	9	6	7	11
12/4/2018 19:00	267.92	7.09	11.97	10	12	14	12
12/4/2018 18:00	266.58	6.72	10.56	13	17	14	10
12/4/2018 17:00	267	5.64	8.79	17	12	11	6
12/4/2018 16:00	282.75	3.85	5.7	37	15	24	23

Timestamp	Weather Station Wind Direction (°) (averaged hourly)	Weather Station Wind Speed (mi/hr) (averaged hourly)	Weather Station GUST (mi/hr) (averaged hourly)	E-BAM Plus Station 4 ConcHR ($\mu\text{g}/\text{m}^3$) (averaged hourly)	E-BAM Plus Station 1 ConcHR ($\mu\text{g}/\text{m}^3$) (averaged hourly)	E-BAM Plus Station 3 ConcHR ($\mu\text{g}/\text{m}^3$) (averaged hourly)	E-BAM Plus Station 2 ConcHR ($\mu\text{g}/\text{m}^3$) (averaged hourly)
12/4/2018 15:00	282.75	4.92	7.2	41	16	46	16
12/4/2018 14:00	282	5.22	7.85	34	17	24	21
12/4/2018 13:00	300.5	5.51	8.1	39	8	32	19
12/4/2018 12:00	313.17	6.18	9.24	72	12	40	20
12/4/2018 11:00	315.83	7.06	10.37	116	18	48	22
12/4/2018 10:00	322.67	8.48	12.71	124		52	21
12/4/2018 9:00	325	8.6	13.1				15
12/4/2018 8:00							14
12/4/2018 7:00	308.25	7.8	12.95		3	10	
12/4/2018 6:00	312.25	7.44	11.47	5	9	8	5
12/4/2018 5:00	305.42	7.3	11.58	6	0	3	6
12/4/2018 4:00	300	7.61	12.02	9	10	8	5
12/4/2018 3:00	303.42	8.63	14.16	7	7	6	4
12/4/2018 2:00	301.75	7.93	13.11	7	6	8	6
12/4/2018 1:00	302	8.01	12.6	1	1	6	4
12/4/2018 0:00	304.5	8.53	13.11	7	10	8	8
12/3/2018 23:00	311.92	8.98	14.02	10	7	4	5
12/3/2018 22:00	313.67	9.39	14.95	7	6	7	6
12/3/2018 21:00	310.25	9.43	15.65	10	12	7	6
12/3/2018 20:00	323.67	10.98	16.4	8	6	4	9
12/3/2018 19:00	317.67	9.94	15.35	7	0	10	7
12/3/2018 18:00	321.17	10.46	15.6	12	6	6	3
12/3/2018 17:00	327.08	11.57	17.85	4	10	2	0
12/3/2018 16:00	314.08	12.99	19.75	19	6	17	9
12/3/2018 15:00	349.33	14.36	23.27	28	11	17	-1
12/3/2018 14:00	336.42	13.97	21.44	20	6	14	7
12/3/2018 13:00	343.08	14.21	22.92	7	-4	3	3
12/3/2018 12:00	343	12.94	20.88	30	6	11	1

Timestamp	Weather Station Wind Direction (°) (averaged hourly)	Weather Station Wind Speed (mi/hr) (averaged hourly)	Weather Station GUST (mi/hr) (averaged hourly)	E-BAM Plus Station 4 ConcHR ($\mu\text{g}/\text{m}^3$) (averaged hourly)	E-BAM Plus Station 1 ConcHR ($\mu\text{g}/\text{m}^3$) (averaged hourly)	E-BAM Plus Station 3 ConcHR ($\mu\text{g}/\text{m}^3$) (averaged hourly)	E-BAM Plus Station 2 ConcHR ($\mu\text{g}/\text{m}^3$) (averaged hourly)
12/3/2018 11:00	330.17	10.06	15.85	31	7	22	11
12/3/2018 10:00	332.25	10	15.5	38	2	20	3
12/3/2018 9:00	326.42	9.19	13.45	2	7	9	3
12/3/2018 8:00	322.42	9.18	13.95	3	5	6	6
12/3/2018 7:00	318.58	8.35	12.82	10	-5	8	3
12/3/2018 6:00	317.25	7.6	12.22	5	2	1	4
12/3/2018 5:00	324.17	9.44	14.45	-1	3	3	3
12/3/2018 4:00	326.08	9.15	13.75	5	-1	3	1
12/3/2018 3:00	326.17	10.06	15.95	0	7	3	-1
12/3/2018 2:00	326.67	9.53	14.85	3	0	0	5
12/3/2018 1:00	321.33	8.24	12.27	2	-5	-1	-5
12/3/2018 0:00	318.17	8.16	12.58	3	6	2	3
12/2/2018 23:00	322.67	7.19	11.07	3	6	6	0
12/2/2018 22:00	328.08	7.78	11.1	7	-1	0	4
12/2/2018 21:00	322.58	9.53	14	-3	3	5	1
12/2/2018 20:00	271.42	8.08	11.83	5	4	5	7
12/2/2018 19:00	250.83	8.78	12.91	3	-2	4	0
12/2/2018 18:00	246.83	8.26	11.82	8	8	4	7
12/2/2018 17:00	237.92	8.79	14.06	-2	0	2	-4
12/2/2018 16:00	243	9.44	14.2	11	7	4	8
12/2/2018 15:00	248	9.59	14.56	4	0	7	1
12/2/2018 14:00	242.17	10.26	16.3	9	4	5	5
12/2/2018 13:00	247.25	11.27	16.85	-2	22	6	3
12/2/2018 12:00	243.42	13.03	19.2	6	4	2	10
12/2/2018 11:00	244.58	10.27	15.35	1	5	8	1
12/2/2018 10:00	233	11.11	17.45	5	9	6	12
12/2/2018 9:00	236.92	11.29	17.2	11	14	11	1
12/2/2018 8:00	203.58	9.84	14.61	9	7	14	13

Timestamp	Weather Station WInd Direction (°) (averaged hourly)	Weather Station Wind Speed (mi/hr) (averaged hourly)	Weather Station GUST (mi/hr) (averaged hourly)	E-BAM Plus Station 4 ConcHR ($\mu\text{g}/\text{m}^3$) (averaged hourly)	E-BAM Plus Station 1 ConcHR ($\mu\text{g}/\text{m}^3$) (averaged hourly)	E-BAM Plus Station 3 ConcHR ($\mu\text{g}/\text{m}^3$) (averaged hourly)	E-BAM Plus Station 2 ConcHR ($\mu\text{g}/\text{m}^3$) (averaged hourly)
12/2/2018 7:00	147.75	5.37	8	10	6	13	5
12/2/2018 6:00	154	2.33	3.85	14	7	4	9
12/2/2018 5:00	159.5	4.42	6.15	6	10	10	4
12/2/2018 4:00	173.42	5.43	7.55	18	7	6	6
12/2/2018 3:00	170.25	5.33	7.35	8	5	12	11
12/2/2018 2:00	180.92	5.47	7.35	22	15	8	10
12/2/2018 1:00	181.67	3.7	5.25	13	15	19	13
12/2/2018 0:00	99.83	2.95	4.3	10	9	10	5
12/1/2018 23:00	158.58	6.63	9.82	10	17	11	12
12/1/2018 22:00	123.83	7.56	12.32	15	5	8	10
12/1/2018 21:00	104.92	7.32	10.72	11	8	8	6
12/1/2018 20:00	112.17	7.21	10.67	7	11	9	10
12/1/2018 19:00	119.58	7.44	12.28	6	-1	11	5
12/1/2018 18:00	116.92	9.64	15.1	8	2	7	4
12/1/2018 17:00	116.08	10.27	15.9	-3	6	1	8
12/1/2018 16:00	119	12.46	20.74	5	4	4	4
12/1/2018 15:00	119.5	13.91	22.32	9	5	7	5
12/1/2018 14:00	115.17	13.98	20.58	-4	7	0	5
12/1/2018 13:00	114.08	12.59	19.25	1	-6	-2	1
12/1/2018 12:00	116.42	11.97	18.9	7	3	11	3
12/1/2018 11:00	113.75	11.32	17.94	18	19	18	18
12/1/2018 10:00	89.08	15.89	25.59	28	26	20	22
12/1/2018 9:00	68.42	11.97	18.25	12	22	21	18
12/1/2018 8:00	102.75	12.88	20.2	28	24	28	27
12/1/2018 7:00	84.42	10.78	17.05	31	29	34	29
12/1/2018 6:00	85.75	9.86	15.25	31	30	28	36
12/1/2018 5:00	89.42	9.19	14.1	34	27	31	29
12/1/2018 4:00	74.92	9.66	14.6	30	36	30	27

Timestamp	Weather Station Wind Direction (°) (averaged hourly)	Weather Station Wind Speed (mi/hr) (averaged hourly)	Weather Station GUST (mi/hr) (averaged hourly)	E-BAM Plus Station 4 ConcHR ($\mu\text{g}/\text{m}^3$) (averaged hourly)	E-BAM Plus Station 1 ConcHR ($\mu\text{g}/\text{m}^3$) (averaged hourly)	E-BAM Plus Station 3 ConcHR ($\mu\text{g}/\text{m}^3$) (averaged hourly)	E-BAM Plus Station 2 ConcHR ($\mu\text{g}/\text{m}^3$) (averaged hourly)
12/1/2018 3:00	101.92	7.12	10.7	40	36	36	37
12/1/2018 2:00	112.75	6.13	9.05	50	50	49	46
12/1/2018 1:00	114.08	7	10.86	57	51	52	49
12/1/2018 0:00	101.67	7.36	11.25	58	53	55	53